

# INSTALLATION INSTRUCTION

## INSTALLATION INSTRUCTIONS FOR MODEL 555634 R4GM - 150-180

753B-0904

To assembly the Fresh Air Hood verify all unit parts in box.

- A - Hood Sides (1 & 3)
- B - Filter Channel (2 & 4)
- C - Hood Bottom (5)
- D - Hood Top (6)
- E - Hood Filter Access (7)
- F - Filter (8)
- G - Hardware Bag
  - 29 ea. - Type A #10 - 24 x 1/2 Screws
  - 15 ft - 1/8 x 1/2 Gasket

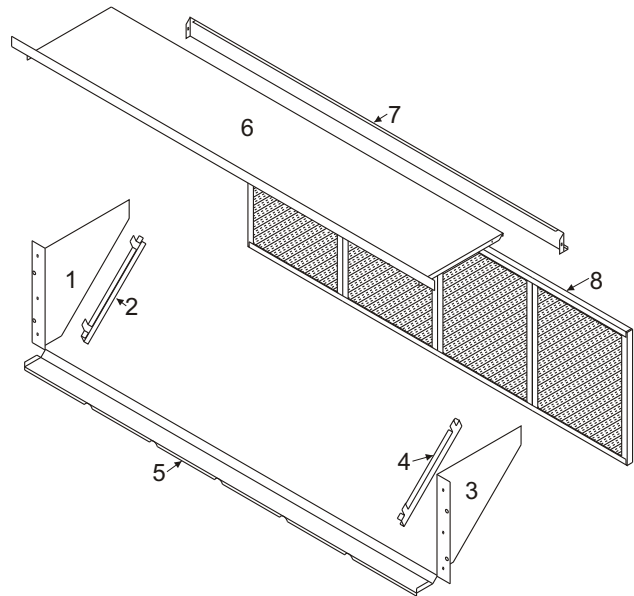


Figure 1

### Fresh Air Hood Assembly

Follow these steps:

- A. Take (2) and screw through (1) into (2) using the Type A screws.
- B. Take (4) and screw through (3) into (4) using the Type A screws.
- C. Take (5) and put to the inside of (1 & 3) and secure with Type A screws.
- D. Take (6) and place flanges over (1 & 3) and secure with Type A screws.
- E. Slide filter in the hood in (2 & 4).
- F. Take (7) and secure to (1 & 3) with Type A screws.
- G. Place gasket on the back flanges of (1, 3, 5, 6).

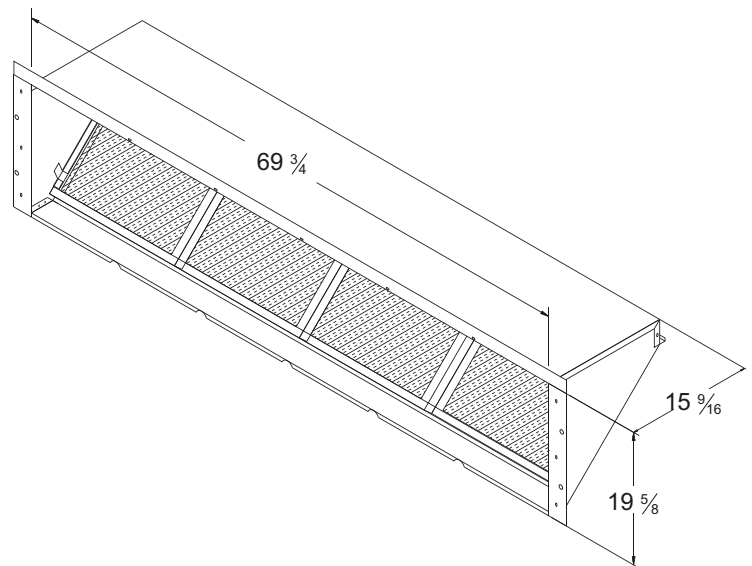


Figure 2

# INSTALLATION INSTRUCTION

## INSTALLATION INSTRUCTIONS FOR MODEL 555634 R4GM - 150-180

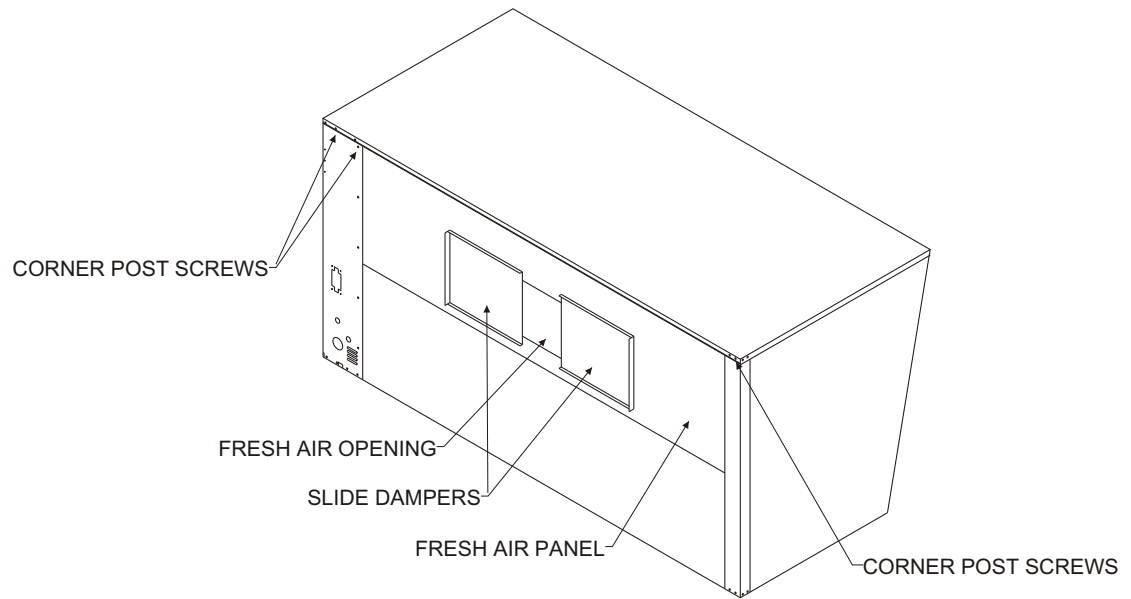


Figure 3

### Fresh Air Hood Installation:

**Step 1:**

Set slide dampers to required setting if using factory fresh air panel.

**Step 2:**

Remove screws from top of unit that engage fresh air panel.

**Step 3:**

Loosen screw in top of corner post.

**Step 4:**

Slide top flange of hood assembly under unit top flange and secure with screws from Step 2.

**Step 5:**

Secure both sides of hood to unit, and retighten corner post screws from Step 3.

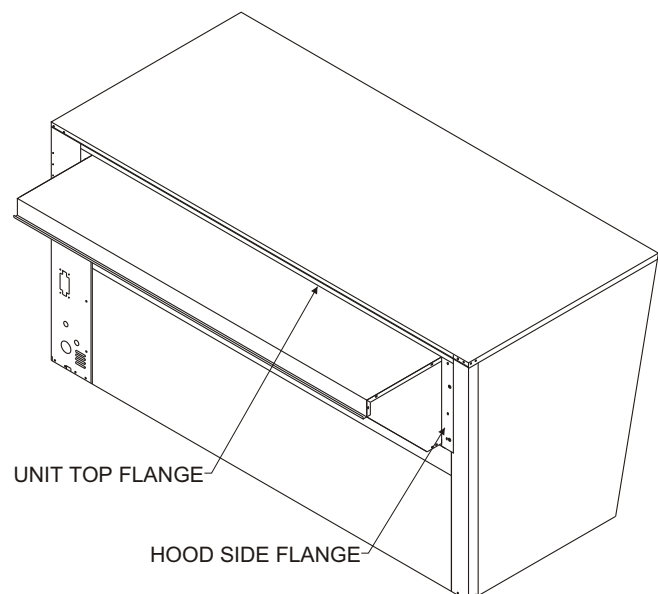


Figure 4