

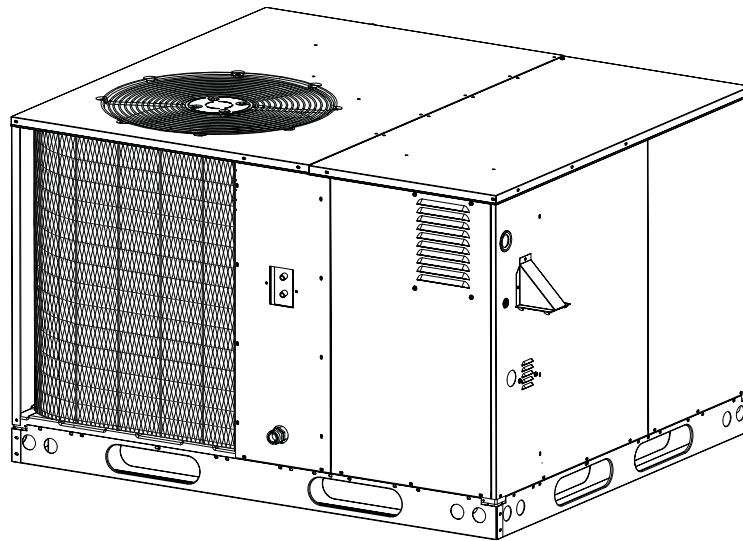
## R4GD Series

### Single Packaged Gas/Electric Units

#### R4GD 13 SEER

#### 2 Ton thru 5 Ton Units

The R4GD Series single packaged gas/electrics are high efficiency self contained cooling units that can be installed on the roof or on a slab. The convertible unit design makes installations simple in all applications. Units are ETL and ETLc listed.

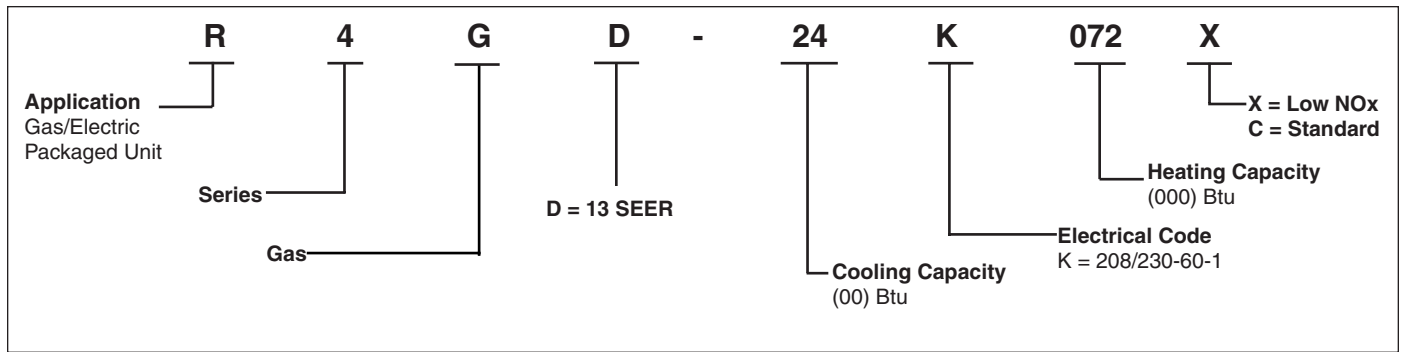


#### FEATURES AND BENEFITS

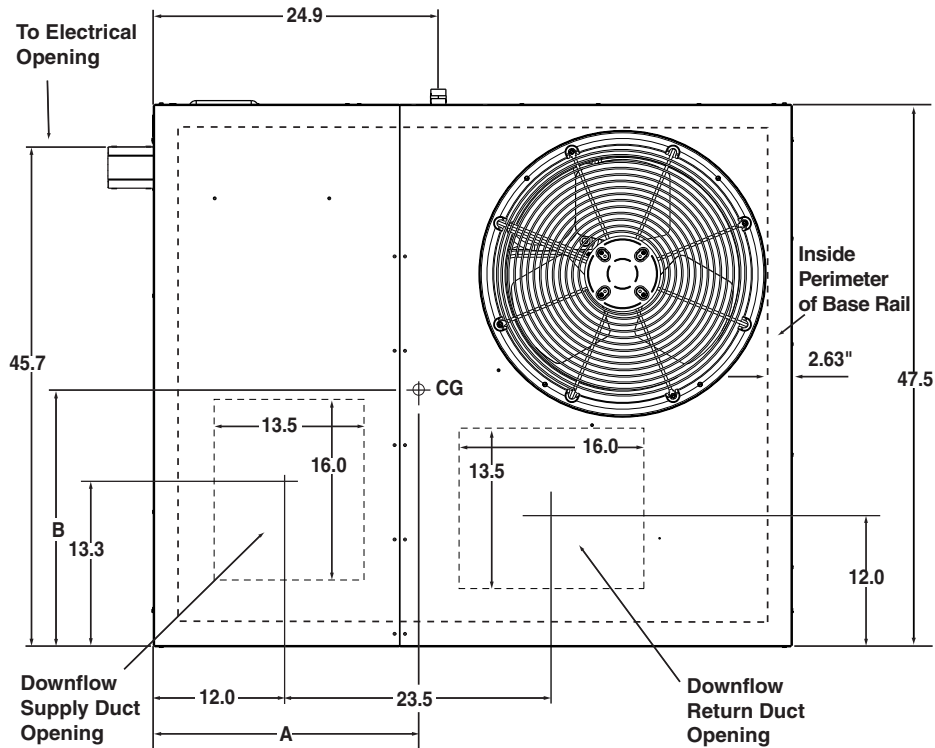
- **Compact Footprint/Low Profile**  
Easy to handle and transport.
- **Heavy-Gauge, Full Perimeter Base Rails**  
Facilitates forklift handling and curb mounting.
- **Convertible Air Delivery**  
Horizontal or downflow to accommodate rooftop or horizontal application.
- **Galvanized Steel Cabinet**  
with polyurethane finish provides 950 hour salt spray protection to resist corrosion.
- **Plastic Coated Coil Guard and Mesh Hail Guard**  
Will never rust and protect the coil from being damaged by balls, lawnmowers, hail etc.
- **Accessible Service Ports**  
Quick access to refrigerant system without disrupting operation.
- **Access to Controls and Major Components**  
Easy in and out service.
- **Corrosion-Resistant Drain Pan**  
Quickly drains away evaporator condensate.
- **Smaller Panels, Great Fit and Finish, Total Seal**  
Well-designed, quality construction. Drip edge on top panels whisks away rainwater. Embossed bottom pan keeps blower component compartment dry.
- **Proven, Industry Standard Components**  
Easier service and availability.
- **Quiet Operation**  
Low vibration. 20" fan blade combined with custom venturi condenser fan.
- **8 Year Residential Parts Warranty and 5 Year Quality Pledge**  
The best warranty in the business. Extended labor protection plans are available.
- **One Year Commercial Parts Warranty**



# MODEL IDENTIFICATION CODE



# DIMENSIONS

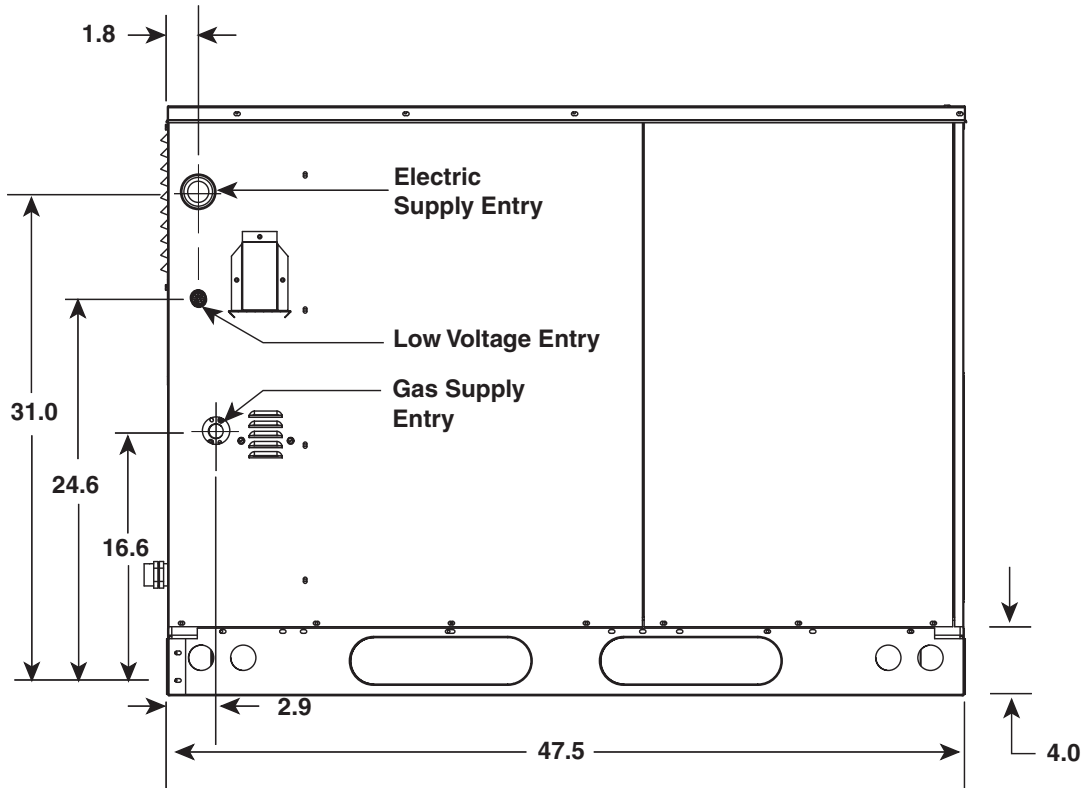


Top View

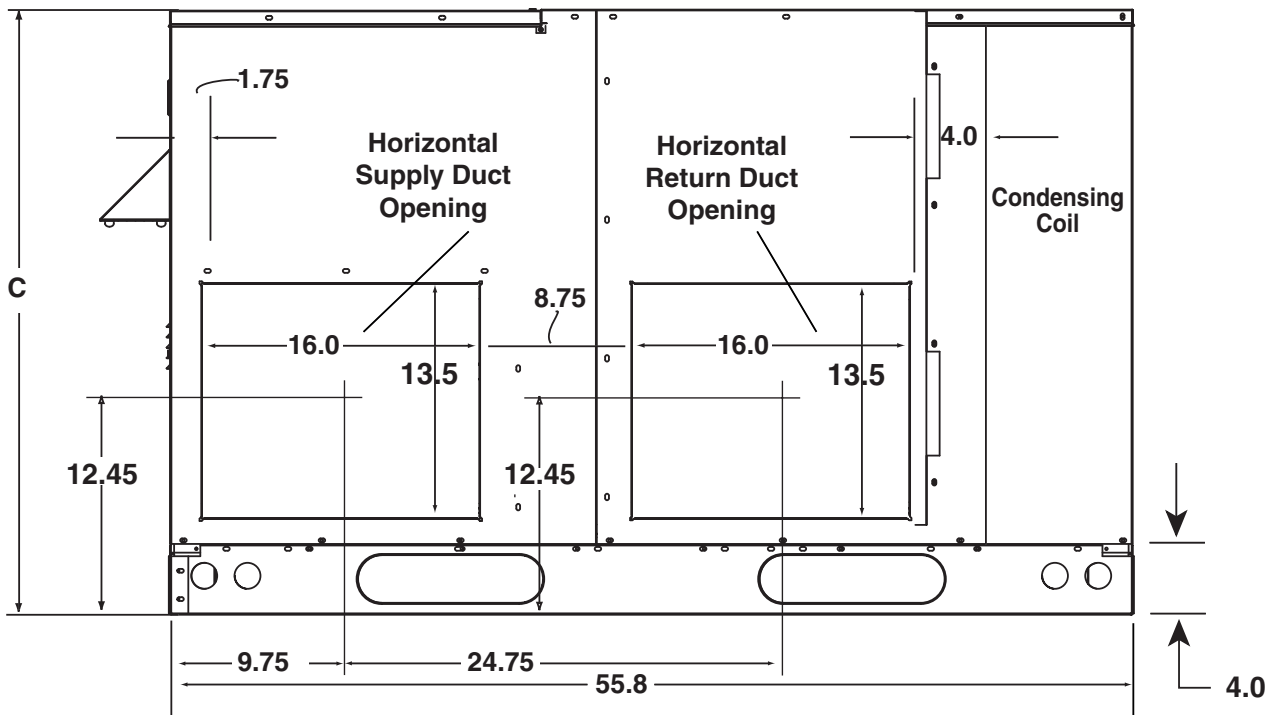
Model Number	Unit Weight	Shipping Weight	Center of Gravity		Height (in inches)	
			A	B	C	
					with base rails	without base rails
024K045†	425	435	26.5	26.5	39.0	35.3
024K072†	435	445	26.0	26.5	39.0	35.3
030K045†	430	440	26.5	26.5	39.0	35.3
030K072†	440	450	26.0	26.5	39.0	35.3
036K072†	470	480	26.5	26.5	39.0	35.3
036K096†	485	495	26.0	26.5	39.0	35.3
042K072†	500	510	27.0	26.5	39.0	35.3
042K096†	515	525	27.0	26.5	39.0	35.3
048K096†	540	550	27.5	26.5	43.0	39.3
048K120†	555	565	27.5	26.5	43.0	39.3
060K096†	560	570	27.5	26.5	43.0	39.3
060K120†	575	585	27.5	26.5	43.0	39.3

† Denotes either "C" or "X"

# DIMENSIONS (Continued)



Side View



Back View

# SPECIFICATIONS AND ELECTRICAL DATA

## SINGLE PHASE

MODEL R4GD	-024K045(*)	-024K072(*)	-030K045(*)	-030K072(*)	-036K072(*)	-036K096(*)	-042K72(*)	-042K96(*)	-048K96(*)	-48K120(*)	-060K096(*)	-060K120(*)
<b>Performance</b>												
Heating Input Btuh	45,000	72,000	45,000	72,000	72,000	96,000	72,000	96,000	96,000	120,000	96,000	120,000
Heating Output Btuh	35,000	56,000	35,000	56,000	56,000	75,000	56,000	75,000	75,000	94,000	75,000	94,000
Capacity-Cooling Btuh	23,000	23,000	28,000	28,000	35,000	35,000	40,000	40,000	46,000	46,000	55,000	55,000
AFUE	78	78	78	78	78	78	78	78	78	78	78	78
Efficiency -- SEER	13.00	13.00	13.00	13.00	13.00	13.00	13.00	13.00	13.00	13.00	13.00	13.00
Efficiency -- EER	11.4	11.4	11.0	11.0	10.9	10.9	11.0	11.0	10.5	10.5	10.3	10.3
<b>Electrical Rating - 60 Hz</b>												
Phase	1	1	1	1	1	1	1	1	1	1	1	1
Operating Voltage Range	187 - 253	187 - 253	187 - 253	187 - 253	187 - 253	187 - 253	187 - 253	187 - 253	187 - 253	187 - 253	187 - 253	187 - 253
Minimum Circuit Ampacity	20.00	20.00	25	25	25.5	25.5	34.1	34.1	35.8	35.8	42.5	42.5
Max. Overcurrent Protection	30	30	40	40	40	40	50	50	50	50	70	70
<b>Compressor Data</b>												
Volts	208 / 230	208 / 230	208 / 230	208 / 230	208 / 230	208 / 230	208 / 230	208 / 230	208 / 230	208 / 230	208 / 230	208 / 230
Rated Load Amps	11.6	11.6	15.7	15.7	16	16	21.5	21.5	22.5	22.5	28.2	28.2
Lock Rotor Amps	54	54	68	68	77	77	104	104	137	137	141	141
<b>Indoor Blower</b>												
Wheel Diameter	10 x 10	10 x 10	10 x 10	10 x 10	10 x 10	10 x 10	10 x 10	10 x 10	10 x 10	10 x 10	10 x 10	10 x 10
Motor Type	Fixed Torque	Fixed Torque	Fixed Torque	Fixed Torque	Fixed Torque	Fixed Torque	Fixed Torque	Fixed Torque	Fixed Torque	Fixed Torque	Fixed Torque	Fixed Torque
Motor HP	1/2	1/2	1/2	1/2	1/2	1/2	3/4	3/4	3/4	3/4	3/4	3/4
Motor Amps	4.1	4.1	4.1	4.1	4.1	4.1	6.0	6.0	6.0	6.0	6.0	6.0
<b>Outdoor Fan</b>												
Motor HP	1/4	1/4	1/8	1/8	1/4	1/4	1/4	1/4	1/4	1/4	1/4	1/4
Motor Amps	1.2	1.2	1.2	1.2	1.2	1.2	1.2	1.2	1.2	1.2	1.2	1.2
Fan Diameter/CFM	20" / 3500	20" / 3500	20" / 3500	20" / 3500	20" / 3500	20" / 3500	20" / 3500	20" / 3500	20" / 3500	20" / 3500	20" / 3500	20" / 3500
Refrigerant Charge (oz)	89.6	89.6	93.4	93.4	100	100	192	192	216	216	188.8	188.8

# AIRFLOW DATA

Model Number (*JR4GD-)	Heating Input (BTU/h)	Heating Output (BTU/h)	Heating Rise Range(F)	Cooling Output (BTU/h)	Motor Tap	Blower Size	Motor HP	External Static Pressure (Inches Water Column)																															
								0.1				0.2				0.3				0.4				0.5				0.6				0.7				0.8			
								CFM	Rise	CFM	Rise	CFM	Rise	CFM	Rise	CFM	Rise	CFM	Rise	CFM	Rise	CFM	Rise	CFM	Rise	CFM	Rise	CFM	Rise	CFM	Rise								
24K045(f)	45,000	35,000	30-60	23,000	T1	10 X 10	1/2	845	38	735	44	625	52	60	453	72	335	--	217	--	207	--	207	--	495	515													
					*T2	895	36	830	39	750	43	690	47	635	51	575	56	515	51	515	51	600	54	600	54	495	515												
					**T3	950	34	880	37	810	40	755	43	705	46	655	49	600	49	655	49	600	49	600	49	495	515												
					T4	1110	--	1065	30	1020	32	965	34	910	36	865	37	825	39	790	41	825	39	790	41	825	39	790	41										
					*T5	1260	--	1215	--	1175	--	1125	--	1075	30	1030	31	990	33	960	34	925	33	890	33	925	33	890	33										
24K072(f)	72,000	56,000	40-70	23,000	T1	10 X 10	1/2	845	61	735	--	625	--	540	--	453	--	335	--	217	--	207	--	495	515														
					*T2	905	57	830	62	750	69	690	73	635	71	575	56	515	51	600	54	600	54	495	515														
					**T3	950	55	880	59	810	64	755	69	705	--	655	60	600	54	655	60	600	54	655	60	600	54												
					T4	1110	47	1065	49	1,020	51	965	54	910	57	865	60	825	63	790	66	825	63	790	66	825	63												
					*T5	1260	41	1,215	43	1,175	44	1,125	46	1,075	48	1,030	50	990	52	960	54	925	51	890	52	960	54												
30K045(f)	45,000	35,000	30-60	28,000	T1	10 X 10	1/2	905	36	830	39	750	43	690	47	635	51	575	56	515	--	217	--	495	515														
					*T2	950	34	880	37	810	40	755	43	705	46	655	49	600	49	655	49	600	49	600	49	495	515												
					**T3	1110	--	1065	30	1,020	32	965	34	910	36	865	37	825	39	790	41	825	39	790	41	825	39												
					T4	1260	--	1,215	--	1,175	--	1,125	--	1075	30	1030	31	990	33	960	34	925	33	990	33	960	34	925	33										
					*T5	1345	--	1,300	40	1,250	41	1,210	43	1,170	44	1,130	46	1,090	48	1,050	50	1,010	52	970	54	930	56	890	58										
30K072(f)	72,000	56,000	40-70	28,000	T1	10 X 10	1/2	950	73	880	--	810	--	755	--	705	--	655	--	605	--	570	--	825	945														
					*T2	1110	63	1,065	65	1,020	68	965	72	910	--	865	70	815	--	765	70	715	--	665	70														
					**T3	1220	57	1,180	61	1,135	61	1,085	64	1,040	67	990	70	945	73	900	76	855	73	810	76	765	79												
					T4	1345	52	1,300	53	1,250	56	1,210	57	1,170	59	1,130	62	1,090	65	1,050	68	1,010	70	970	72	930	75	890	78										
					*T5	1420	51	1,370	47	1,330	48	1,290	50	1,250	52	1,210	54	1,170	56	1,130	58	1,090	60	1,050	62	1,010	64	970	66										
36K072(f)	72,000	56,000	40-70	35,000	T1	10 X 10	3/4	1185	44	1110	47	1035	50	960	53	885	56	810	59	735	62	660	65	585	68	510	71												
					*T2	1345	44	1270	43	1230	44	1190	45	1150	46	1110	47	1070	48	1030	50	990	52	945	55	900	57												
					**T3	1410	37	1330	39	1290	41	1250	43	1210	45	1170	47	1130	49	1090	51	1050	53	1010	55	970	57												
					T4	1525	--	1450	--	1370	--	1320	--	1270	41	1230	43	1190	45	1150	47	1110	49	1070	51	1030	53	990	55										
					*T5	1650	--	1585	--	1520	--	1465	--	1410	44	1355	46	1310	48	1265	50	1220	52	1175	54	1130	56	1085	59										
36K096(f)	96,000	75,000	45-75	35,000	T1	10 X 10	1/2	1185	59	1110	63	1035	67	960	70	885	73	810	76	735	79	660	82	585	85	510	88												
					*T2	1410	49	1330	52	1290	54	1250	56	1210	58	1170	60	1130	62	1090	64	1050	66	1010	68	970	70												
					**T3	1525	46	1450	48	1410	50	1370	51	1330	53	1290	55	1250	57	1210	59	1170	61	1130	63	1090	65												
					T4	1650	--	1585	--	1520	46	1465	47	1405	49	1350	51	1305	53	1260	55	1215	57	1170	59	1125	61	1080	63										
					*T5	1775	--	1715	--	1650	--	1595	--	1540	45	1485	47	1440	49	1395	51	1350	53	1305	55	1260	57	1215	59										
42K072(f)	72,000	56,000	40-70	40,000	T1	10 X 10	3/4	1410	49	1330	52	1250	56	1175	59	1100	62	1025	65	950	68	875	71	800	74	725	77												
					*T2	1525	46	1450	48	1410	50	1370	51	1330	53	1290	55	1250	57	1210	59	1170	61	1130	63	1090	65												
					**T3	1650	--	1585	--	1520	46	1465	47	1405	49	1350	51	1305	53	1260	55	1215	57	1170	59	1125	61												
					T4	1775	--	1715	--	1650	--	1595	--	1540	45	1485	47	1440	49	1395	51	1350	53	1305	55	1260	57	1215	59										
					*T5	1850	--	1795	--	1740	--	1685	--	1630	46	1570	48	1525	50	1480	52	1435	54	1390	56	1345	58	1300	60										
42K096(f)	96,000	75,000	45-75	40,000	T1	10 X 10	3/4	1410	66	1340	70	1270	74	1200	78	1130	86	1060	94	990	102	920	110	850	118	780	126												
					*T2	1650	59	1585	61	1520	65	1455	69	1390	73	1325	77	1260	81	1195	85	1130	89	1065	93	1000	97												
					**T3	1775	48	1715	50	1650	52	1595	56	1540	56	1485	60	1430	64	1375	68	1320	72	1265	76	1210	80												
					T4	1850	--	1795	--	1740	--	1685	--	1630	46	1570	48	1525	50	1480	52	1435	54	1390	56	1345	58	1300	60										
					*T5	1925	--	1870	--	1815	--	1760	--	1705	47	1650	49	1605	51	1560	53	1515	55	1470	57	1425	59	1380	61										
48K096(f)	96,000	75,000	45-75	46,000	T1	10 X 10	3/4	1650	73	1585	77	1520	81	1455	85	1390	92	1325	99	1260	106	1195	114	1130	122	1065	130												
					*T2	1850	59	1795	61	1740	65	1685	69	1630	73	1575	77	1520	81	1465	85	1410	89	1355	93	1300	97												
					**T3	1925	48	1870	50	1815	52	1760	54	1705	56	1650	58	1600	62	1545	66	1490	70	1435	74	1380	78												
					T4	1975	--	1920	--	1865	--	1810	--	1755	--	1700	--	1645	--	1590	--	1535	--	1480	--	1425	--	1370	--										
					*T5	2050	--	1995	--	1940	--	1885	--	1830	--	1775	--	1720	--	1665	--	1610	--	1555	--	1500	--	1445	--										
48K120(f)	120,000	94,000	45-75	46,000	T1	10 X 10	3/4	1850	73	1785	77	1720	81	1655	85	1590	92	1525	99	1460	106	1395	114	1330	122	1265	130												
					*T2	2050	59	1985	61	1930	65	1875	69	1820	73	1765	77	1710	81	1655	85	1600	89	1545	93	1490	97												
					**T3	2125	48	2065	50	2010	52	1955	54	1900	56	1845	58	1790	62	1735	66	1680	70	1625	74	1570	78												
					T4	2175	--	2120	--	2065	--	2010	--	1955	--	1900	--	1845	--	1790	--	1735	--	1680	--	1625	--	1570	--										
					*T5	2250	--	2195	--	2140	--	2085	--	2030	--	1975	--	1920	--	1865	--	1810	--	1755	--	1700	--	1645	--										
60K096(f)	96,000	75,000	45-75	55,000	T1	10 X 10	3/4	2050	73	1985	77	1920	81	1855	85	1790	92	1725	99	1660	106	1595	114	1530	122	1465	130												
					*T2	2250	59	2195	61	2140	65	2085	69	2030	73	1975	77	1920	81	1865	85	1810	89	1755	93	1700	97												
					**T3	2325	48	2265	50	2210																													

## R4GD ACCESSORIES

Description	Part Number
Roof Curb (8")	547830
Roof Curb (14")	547831
Roof Curb (18")	547850
Roof Curb (24")	547851
Cap, Duct Adapter, 12" Round	913811A
Cap, Duct Adapter, 14" Round	913812A
Supply/return transition, 16"	547834
Supply/return transition, 18"	547835
Concentric diffuser, flush, 16"	547836
Concentric diffuser, flush, 18"	547837
Concentric diffuser, step down 16"	547838
Concentric diffuser, step down 18"	547839
Manual Fresh Air Damper	547832
Motorized Fresh Air Damper	547840
Economizer, downflow w/filter (does not require filter kit) modulating	547833
Economizer, horizontal modulating	547841
Economizer, horizontal 3-position w/filter	547896
Economizer, downflow 3-position w/filter	547897
Power Exhaust, horizontal economizer (special order)	547843
Power Exhaust, downflow economizer (special order)	547842
Filter Kit R4GD 024 - 042	547888
Filter Kit R4GD 048 - 060	547889
Filter Kit, All Downflow Applications (not required with economizer)	547885
Hood Type Hail Guard, Coil Dim. 34" X 76" R4GD-024,030,036,042	547846
Hood Type Hail Guard, Coil Dim. 38" X 76" R4GD-048,060	547847
CO2 sensors (special order)	547848
DUCT SMOKE DETECTOR PHOTO ELEC	547892
MULTI SIGNAL CONTROL	547893
SAMPLING TUBE ST3	547894
SAMPLING TUBE ST5	547895
Low Ambient Kit	913549A
High Pressure Switch Kit	913550
Low Pressure Switch Kit	913551
Canadian LP Gas Conversion Kit (0 to 4,500 ft above sea level)	904091A
U.S. LP Gas Conversion Kit (0 ft to 10,000 ft above sea level)	904090A
Outdoor Thermostat Kit	913852
Universal Hard Start Kit	912933
P-Trap Kit	913810

We Encourage  
Professionalism  
Through Technician  
Certification by NATE



O'Fallon, MO

**NORDYNE**

**978B-0506 (Replaces 978B-0306)**  
**Trademark Tappan used under license.**

Before purchasing this appliance, read important energy cost and efficiency information available from your retailer. Specifications and illustrations subject to change without notice and without incurring obligations. Printed in U.S.A. (05/06)