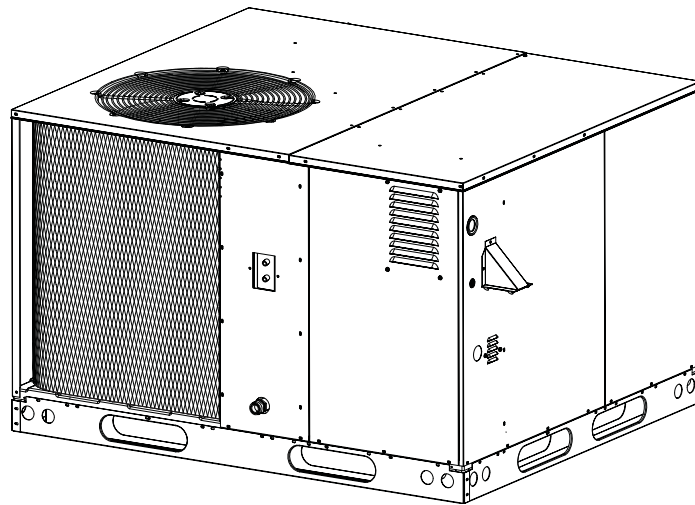




GR4GD Series Single Packaged Gas/Electric Units

GR4GD 13 SEER 2 Ton thru 5 Ton Units

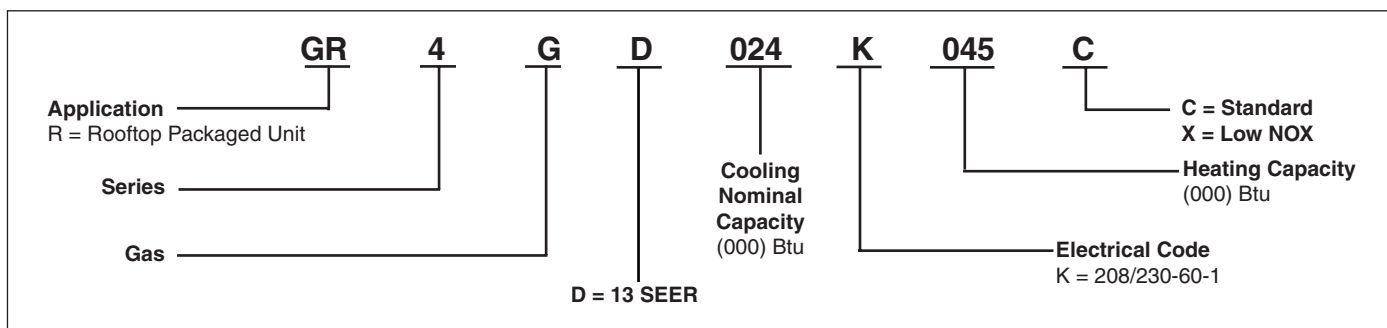
The GR4GD Series single packaged gas/electrics are high efficiency self contained cooling units that can be installed on the roof or on a slab. The convertible unit design makes installations simple in all applications. Units are ETL and ETLc listed.



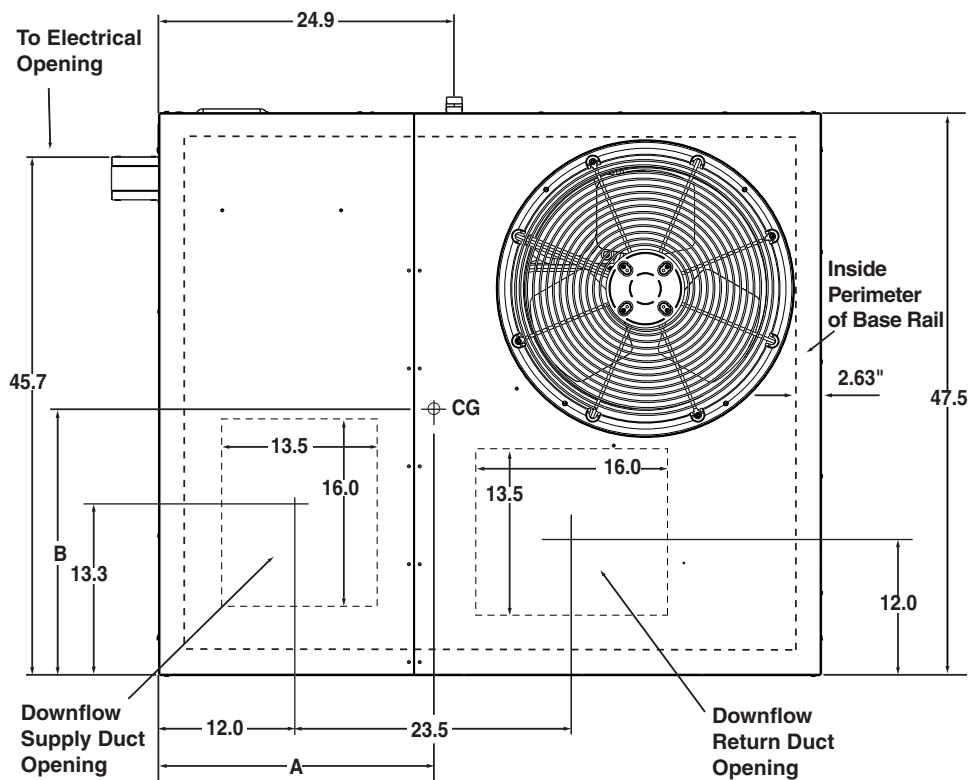
FEATURES AND BENEFITS

- **Compact Footprint/Low Profile**
Easy to handle and transport.
- **Heavy-Gauge, Full Perimeter Base Rails**
Facilitates forklift handling and curb mounting.
- **Convertible Air Delivery**
Horizontal or downflow to accommodate rooftop or horizontal application.
- **Galvanized Steel with Polyurethane Finish**
Provides a minimum of 950 hour salt spray protection.
- **Plastic Mesh Hail Guard**
Will never rust and protects the coil from being damaged by balls, lawnmowers, hail etc.
- **Externally Accessible Service Ports**
Quick access to refrigerant system without disrupting operation.
- **Access to Controls and Major Components**
Easy in and out service.
- **Corrosion-Resistant Drain Pan**
Quickly drains away evaporator condensate.
- **Smaller Panels, Great Fit and Finish, Total Seal**
Well-designed, quality construction. Drip edge on top panels whisks away rainwater. Embossed bottom pan keeps blower component compartment dry.
- **Proven, Industry Standard Components**
Easier service and availability.
- **Accessories**
Roof curbs, economizers, fresh air dampers and more.
- **Quiet Operation**
Low vibration. 20" fan blade combined with custom condenser fan orifice.
- **Five Year Residential Parts Warranty**
Extended labor protection plans are available.
- **One Year Commercial Parts Warranty**

MODEL IDENTIFICATION CODE



DIMENSIONS

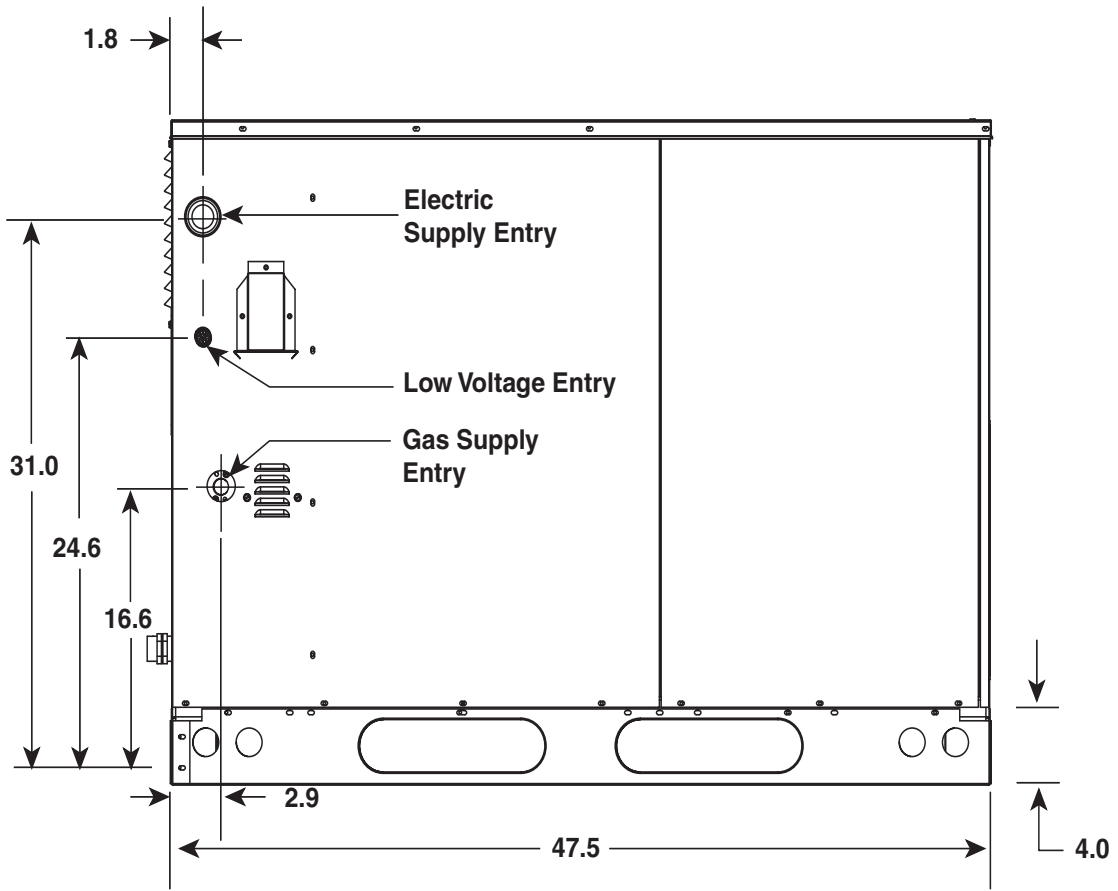


Top View

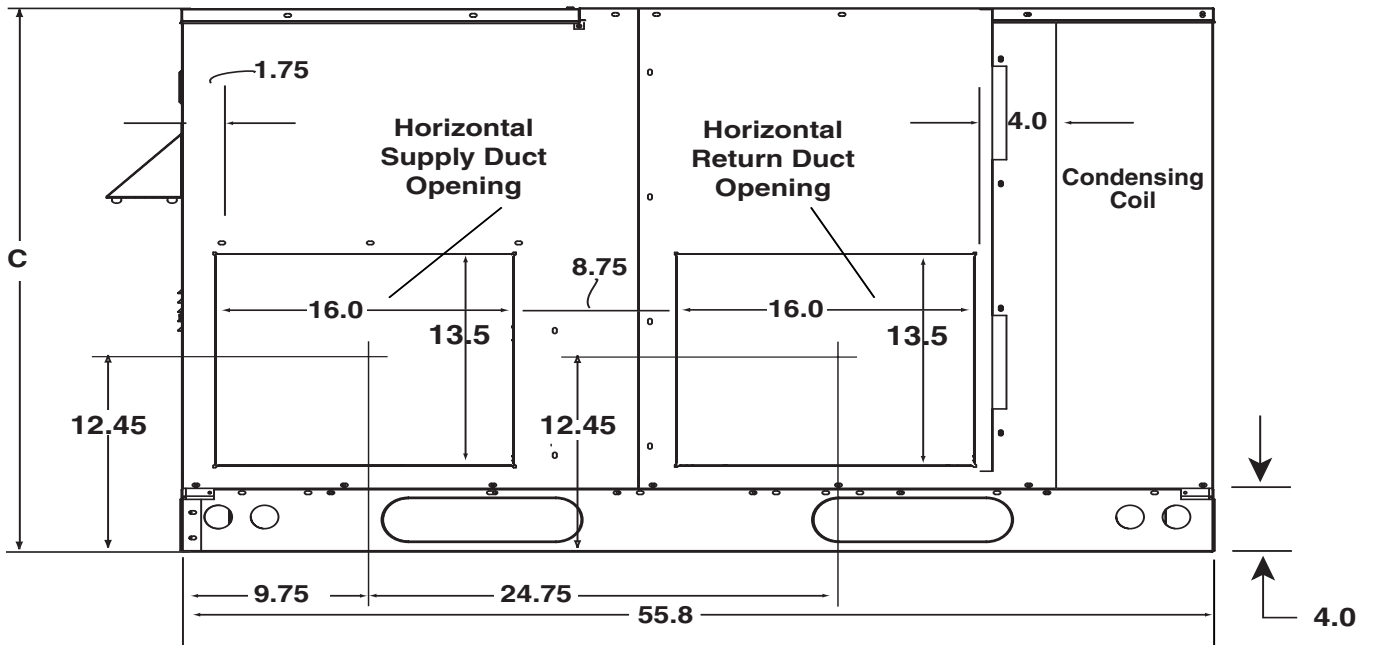
Model Number	Unit Weight	Shipping Weight	Center of Gravity		Height (in inches)	
			A	B	C	
					with base rails	without base rails
GR4GD						
024K045†	425	435	26.5	26.5	39.0	35.3
024K072†	435	445	26.0	26.5	39.0	35.3
030K045†	430	440	26.5	26.5	39.0	35.3
030K072†	440	450	26.0	26.5	39.0	35.3
036K072†	470	480	26.5	26.5	39.0	35.3
036K096†	485	495	26.0	26.5	39.0	35.3
042K072†	500	510	27.0	26.5	39.0	35.3
042K096†	515	525	27.0	26.5	39.0	35.3
048K096†	540	550	27.5	26.5	43.0	39.3
048K120†	555	565	27.5	26.5	43.0	39.3
060K096†	560	570	27.5	26.5	43.0	39.3
060K120†	575	585	27.5	26.5	43.0	39.3

† Denotes either "C" or "X"

DIMENSIONS Continued



Side View



Back (Duct) View

SPECIFICATIONS AND ELECTRICAL DATA

SINGLE PHASE

MODEL GR4GD	-024K045(*)	-024K072(*)	-030K045(*)	-030K072(*)	-036K072(*)	-036K096(*)	-042K72(*)	-042K96(*)	-048K96(*)	-48K120(*)	-060K096(*)	-060K120(*)
Performance												
Heating Input Btuh	45,000	72,000	45,000	72,000	72,000	96,000	72,000	96,000	96,000	120,000	96,000	120,000
Heating Output Btuh	35,000	56,000	35,000	56,000	56,000	75,000	56,000	75,000	75,000	94,000	75,000	94,000
Capacity-Cooling Btuh	23,000	23,000	28,000	28,000	35,000	35,000	40,000	40,000	46,000	46,000	55,000	55,000
AFUE	78	78	78	78	78	78	78	78	78	78	78	78
Efficiency -- SEER	13.00	13.00	13.00	13.00	13.00	13.00	13.00	13.00	13.00	13.00	13.00	13.00
Efficiency -- EER	11.4	11.4	11.0	11.0	10.9	10.9	11.0	11.0	10.5	10.5	10.3	10.3
Electrical Rating - 60 Hz												
Phase	1	1	1	1	1	1	1	1	1	1	1	1
Operating Voltage Range	187 - 253	187 - 253	187 - 253	187 - 253	187 - 253	187 - 253	187 - 253	187 - 253	187 - 253	187 - 253	187 - 253	187 - 253
Minimum Circuit Ampacity	20.00	20.00	25	25	25.5	25.5	34.1	34.1	35.8	35.8	42.5	42.5
Max. Overcurrent Protection	30	30	40	40	40	40	50	50	50	50	70	70
Compressor Data												
Volts	208 / 230	208 / 230	208 / 230	208 / 230	208 / 230	208 / 230	208 / 230	208 / 230	208 / 230	208 / 230	208 / 230	208 / 230
Rated Load Amps	11.6	11.6	15.7	15.7	16	16	21.5	21.5	22.5	22.5	28.2	28.2
Lock Rotor Amps	54	54	68	68	77	77	104	104	137	137	141	141
Indoor Blower												
Wheel Diameter	10 x 10	10 x 10	10 x 10	10 x 10	10 x 10	10 x 10	10 x 10	10 x 10	10 x 10	10 x 10	10 x 10	10 x 10
Motor Type	Fixed Torque	Fixed Torque	Fixed Torque	Fixed Torque	Fixed Torque	Fixed Torque	Fixed Torque	Fixed Torque	Fixed Torque	Fixed Torque	Fixed Torque	Fixed Torque
Motor HP	1/2	1/2	1/2	1/2	1/2	1/2	3/4	3/4	3/4	3/4	3/4	3/4
Motor Amps	4.1	4.1	4.1	4.1	4.1	4.1	6.0	6.0	6.0	6.0	6.0	6.0
Outdoor Fan												
Motor HP	1/4	1/4	1/8	1/8	1/4	1/4	1/4	1/4	1/4	1/4	1/4	1/4
Motor Amps	1.2	1.2	1.2	1.2	1.2	1.2	1.2	1.2	1.2	1.2	1.2	1.2
Fan Diameter/CFM	20" / 3500	20" / 3500	20" / 3500	20" / 3500	20" / 3500	20" / 3500	20" / 3500	20" / 3500	20" / 3500	20" / 3500	20" / 3500	20" / 3500
Refrigerant Charge (oz)	89.6	89.6	93.4	93.4	100	100	192	192	216	216	188.8	188.8

* Can be either C or X

AIRFLOW DATA

Model Number GRAGD-	Heating Input (BTUh)	Heating Output (BTUh)	Heating Rise Range(F)	Cooling Output (BTUh)	Motor Tap	Blower Size	Motor HP	External Static Pressure (Inches Water Column)																							
								0.1		0.2		0.3		0.4		0.5		0.6		0.7		0.8									
								CFM	Rise	CFM	Rise	CFM	Rise	CFM	Rise	CFM	Rise	CFM	Rise	CFM	Rise	CFM	Rise	CFM	Rise						
24K045(†)	45,000	35,000	30-60	23,000	T1	10 X 10	1/2	845	38	735	44	625	52	540	60	453	72	335	--	--	207	--									
					**T2			905	36	830	39	750	43	690	47	635	51	575	56	495	--	--	217	--							
					T3			950	34	880	37	810	40	755	43	705	46	655	49	600	54	570	57	495	--						
					T4			1110	--	1065	30	1020	32	965	34	910	36	865	37	825	39	790	41	750	41						
					**T5			1260	--	1215	--	1175	--	1125	--	1075	30	1030	31	990	33	960	34	930	34						
24K072(†)	72,000	56,000	40-70	23,000	T1	10 X 10	1/2	845	61	735	62	625	69	690	69	635	--	--	207	--											
					**T2			905	57	830	59	750	64	755	69	705	--	--	217	--											
					T3			1110	47	1065	49	1020	51	965	54	910	57	865	60	825	63	790	66								
					T4			1260	41	1215	43	1175	44	1125	46	1075	48	1030	50	990	52	960	54								
					**T5			1410	--	1365	36	1320	38	1280	39	1240	41	1200	43	1160	45	1120	47	1080	49						
30K045(†)	45,000	35,000	30-60	28,000	T1	10 X 10	1/2	845	38	735	44	625	52	540	60	453	72	335	--	--	207	--									
					**T2			905	36	830	39	750	43	690	47	635	51	575	56	495	--	--	217	--							
					T3			950	34	880	37	810	40	755	43	705	46	655	49	600	54	570	57	495	--						
					T4			1110	--	1065	30	1020	32	965	34	910	36	865	37	825	39	790	41	750	41						
					**T5			1260	--	1215	--	1175	--	1125	--	1075	30	1030	31	990	33	960	34	930	34						
30K072(†)	72,000	56,000	40-70	28,000	T1	10 X 10	1/2	845	57	735	62	625	69	690	69	635	--	--	207	--											
					**T2			905	55	880	59	810	64	755	69	705	--	--	217	--											
					T3			1110	47	1065	49	1020	51	965	54	910	57	865	60	825	63	790	66								
					T4			1260	41	1215	43	1175	44	1125	46	1075	48	1030	50	990	52	960	54								
					**T5			1410	--	1365	36	1320	38	1280	39	1240	41	1200	43	1160	45	1120	47	1080	49						
36K072(†)	72,000	56,000	40-70	35,000	T1	10 X 10	1/2	845	55	880	59	810	64	755	69	705	--	--	217	--											
					**T2			905	53	940	55	860	60	800	65	740	70	680	--	--	227	--									
					T3			1110	47	1065	49	1020	51	965	54	910	57	865	60	825	63	790	66								
					T4			1220	43	1180	44	1135	46	1085	48	1030	50	990	52	945	55	915	57								
					**T5			1260	41	1215	43	1175	44	1125	46	1075	48	1030	50	990	52	960	54								
36K096(†)	96,000	75,000	45-75	35,000	T1	10 X 10	1/2	950	73	880	74	860	80	755	80	705	--	--	267	--											
					**T2			1110	63	1065	65	1020	68	965	72	910	--	--	277	--											
					T3			1220	57	1180	59	1135	61	1085	64	1030	67	990	70	945	73	915	75								
					T4			1260	55	1215	57	1175	59	1125	62	1075	65	1030	67	990	70	960	72								
					**T5			1345	52	1300	53	1250	56	1210	57	1170	59	1130	62	1090	65	1050	67								
42K072(†)	72,000	56,000	40-70	40,000	T1	10 X 10	3/4	1020	51	940	55	860	60	800	65	740	70	680	--	--	267	--									
					**T2			1185	44	1110	47	1035	50	980	53	925	56	875	59	825	63	785	66								
					T3			1410	37	1330	39	1250	41	1195	43	1140	45	1085	48	1030	50	975	53								
					T4			1525	46	1450	48	1370	51	1320	53	1270	55	1220	57	1170	60	1120	63								
					**T5			1650	--	1585	--	1520	--	1465	--	1405	49	1340	52	1280	54	1235	56								
42K096(†)	96,000	75,000	45-75	40,000	T1	10 X 10	3/4	1020	68	940	74	860	80	755	80	705	--	--	267	--											
					**T2			1185	59	1110	63	1035	67	980	--	--	925	--	--	277	--										
					T3			1410	49	1330	52	1250	56	1195	58	1140	61	1085	64	1030	67	975	71								
					T4			1525	46	1450	48	1370	51	1320	53	1270	55	1220	57	1170	60	1120	63								
					**T5			1650	--	1585	--	1520	46	1465	47	1405	49	1340	52	1280	54	1235	56								
48K096(†)	96,000	75,000	45-75	46,000	T1	10 X 10	3/4	1185	59	1110	63	1035	67	980	71	925	75	875	--	--	267	--									
					**T2			1410	49	1330	52	1250	56	1195	58	1140	61	1085	64	1030	67	975	71								
					T3			1525	46	1450	48	1370	51	1320	53	1270	55	1220	57	1170	60	1120	63								
					T4			1650	--	1585	--	1520	46	1465	47	1405	49	1340	52	1280	54	1235	56								
					**T5			1775	49	1715	--	1650	53	1600	--	1540	45	1480	48	1430	51	1380	54								
48K120(†)	120,000	94,000	45-75	46,000	T1	10 X 10	3/4	1185	59	1110	63	1035	67	980	71	925	75	875	--	--	267	--									
					**T2			1410	62	1330	65	1250	70	1195	73	1140	61	1085	64	1030	67	975	71								
					T3			1525	57	1450	60	1370	64	1320	66	1270	69	1220	72	1170	75	1120	78								
					T4			1650	53	1585	55	1520	57	1465	59	1405	62	1340	65	1280	68	1235	70								
					**T5			1775	49	1715	--	1650	53	1600	--	1540	45	1480	48	1430	51	1380	54								
60K096(†)	96,000	75,000	45-75	55,000	T1	10 X 10	3/4	1185	59	1110	63	1035	67	980	71	925	75	875	--	--	267	--									
					**T2			1410	62	1330	65	1250	70	1195	73	1140	61	1085	64	1030	67	975	71								
					T3			1525	57	1450	60	1370	64	1320	66	1270	69	1220	72	1170	75	1120	78								
					T4			1650	53	1585	55	1520	57	1465	59	1405	62	1340	65	1280	68	1235	70								
					**T5			1775	49	1715	--	1650	53	1600	--	1540	45	1480	48	1430	51	1380	54								
60K120(†)	120,000	94,000	45-75	55,000	T1	10 X 10	3/4	1185	73	1110	75	1035	81	980	--	--	925	--	--	267	--										
					**T2			1410	62	1330	65	1250	70	1195	73	1140	61	1085	64	1030	67	975	71								
					T3			1525	57	1450	60	1370	64	1320	66	1270	69	1220	72	1170	75	1120	78								
					T4			1650	53	1585	55	1520	57	1465	59	1405	62	1340	65	1280	68	1235	70								
					**T5			1775	49	1715	--	1650	53	1600	--	1540	45	1480	48	1430	51	1380	54								

* Denotes Factory Set Cooling Speed
 ** Denotes Factory Set Heating Speed
 † Can be C or X

GR4GD ACCESSORIES

Description	Part Number
Roof Curb (8")	547830
Roof Curb (14")	547831
Roof Curb (18")	547850
Roof Curb (24")	547851
Cap, Duct Adapter, 12" Round	913811A
Cap, Duct Adapter, 14" Round	913812A
Supply/return transition, 16"	547834
Supply/return transition, 18"	547835
Concentric diffuser, flush, 16"	547836
Concentric diffuser, flush, 18"	547837
Concentric diffuser, step down 16"	547838
Concentric diffuser, step down 18"	547839
Manual Fresh Air Damper	547832
Motorized Fresh Air Damper	547840
Economizer, downflow w/filter (does not require filter kit) modulating	547833
Economizer, horizontal modulating	547841
Economizer, horizontal 3-position w/filter	547896
Economizer, downflow 3-position w/filter	547897
Power Exhaust, horizontal economizer (special order)	547843
Power Exhaust, downflow economizer (special order)	547842
Filter Kit R4GD 024 - 042	547888
Filter Kit R4GD 048 - 060	547889
Filter Kit, All Downflow Applications (not required with economizer)	547885
Hood Type Hail Guard, Coil Dim. 34" X 76" R4GD-024,030,036,042	547846
Hood Type Hail Guard, Coil Dim. 38" X 76" R4GD-048,060	547847
CO2 sensors (special order)	547848
DUCT SMOKE DETECTOR PHOTO ELEC	547892
MULTI SIGNAL CONTROL	547893
SAMPLING TUBE ST3	547894
SAMPLING TUBE ST5	547895
Low Ambient Kit	913549A
High Pressure Switch Kit	913550
Low Pressure Switch Kit	913551
Canadian LP Gas Conversion Kit (0 to 4,500 ft above sea level)	904091A
U.S. LP Gas Conversion Kit (0 ft to 10,000 ft above sea level)	904090A
Outdoor Thermostat Kit	913852
Universal Hard Start Kit	912933
P-Trap Kit	913810



O'Fallon, MO

NORDYNE

976B-0506 (Replaces 976B-0306)

Before purchasing this appliance, read important energy cost and efficiency information available from your retailer. Specifications and illustrations subject to change without notice and without incurring obligations. Printed in U.S.A. (05/06)