

P4SA Series and P4SC Series

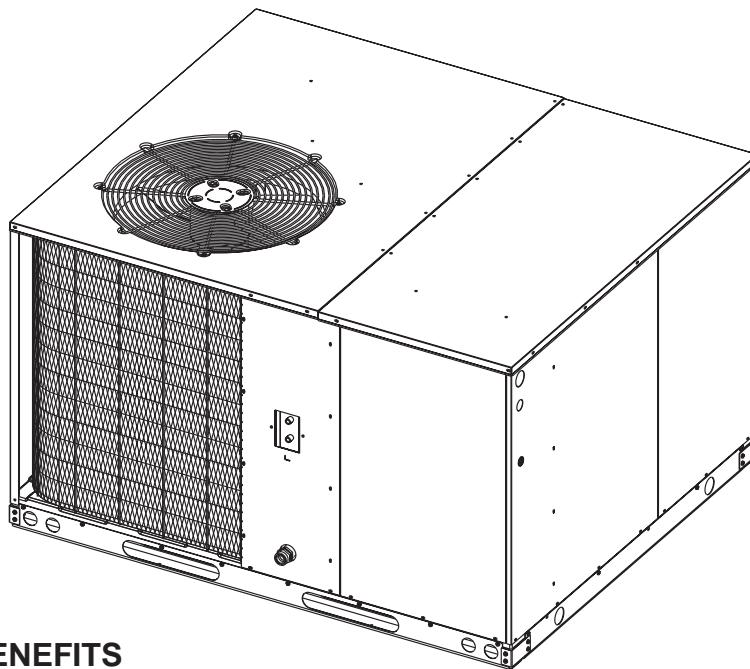
Single Packaged Air Conditioning, Single Phase and Three Phase

3, 4 and 5 Ton Units

P4SA-10 SEER Cooling: 36,000 to 61,000 Btuh

P4SC-12 SEER Cooling: 35,000 to 60,000 Btuh

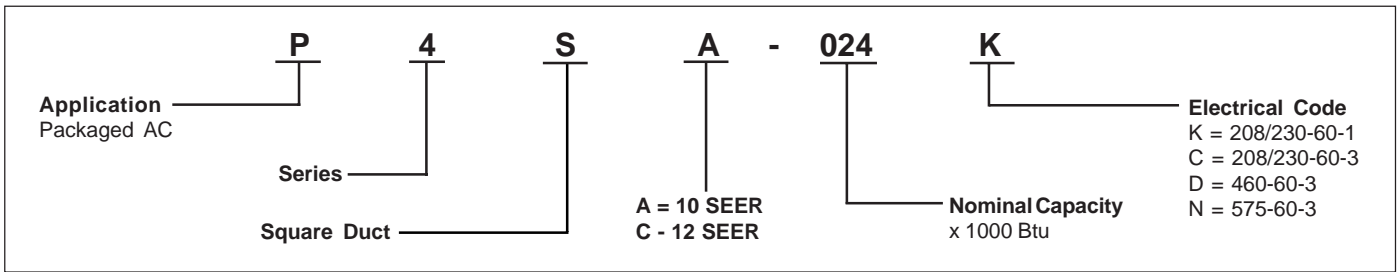
The P4 Series single packaged air conditioners are high efficiency self contained cooling units that can be installed on a roof or on a slab. The convertible unit design makes installations simple in all applications. Units are ETL and ETLc listed. The unit is truly designed with the contractor and the consumer in mind.



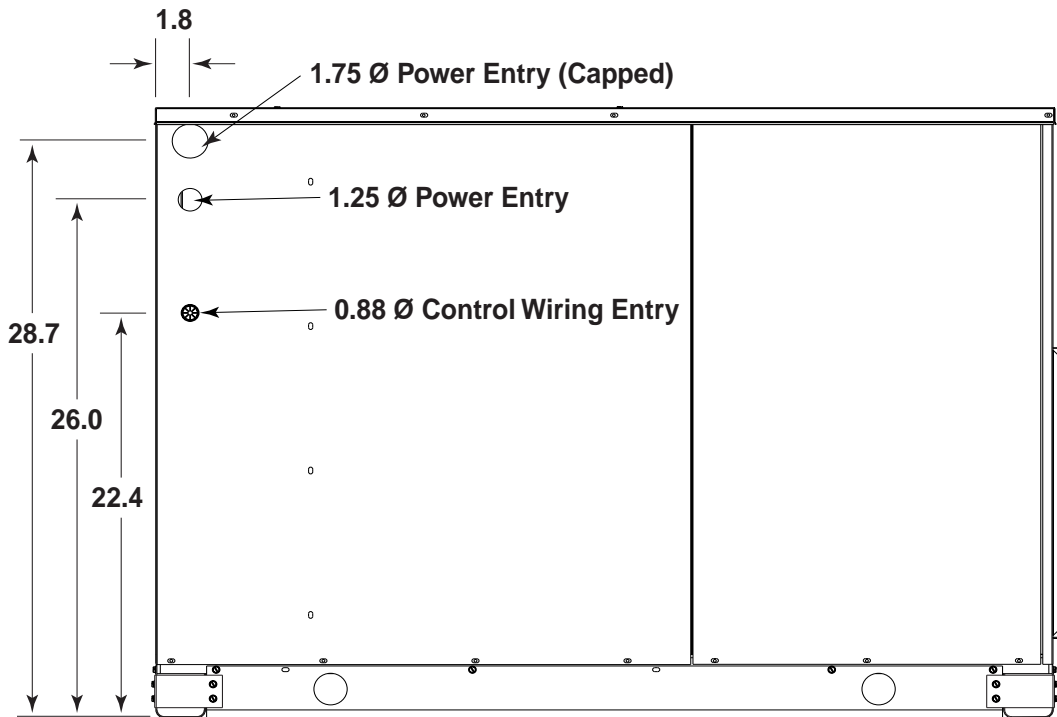
FEATURES AND BENEFITS

- **Compact Footprint/Low Profile**
Easy to handle and transport.
- **Heavy-Gauge, Full Perimeter Base Rails**
Facilitates forklift handling and curb mounting.
- **Convertible Air Delivery**
Horizontal or downflow to accommodate rooftop or horizontal application.
- **Galvanized Steel Cabinet**
Polyurethane finish provides 950 hours salt spray protection.
- **Plastic Coated Coil Guard and Mesh Hail Guard**
Will never rust and protects the coil from being damaged by balls, lawnmowers, hail etc.
- **Externally Accessible Service Ports**
Quick access to refrigerant system without disrupting operation.
- **Access to Controls and Major Components**
Easy in and out service.
- **Corrosion-Resistant Drain Pan**
Quickly drains away evaporator condensate.
- **Service Access Panels**
Allows easy access to all major components and the compressor. Designed to make servicing easier for the Contractor.
- **Easy to Install**
Electric heat strip provides up to 20 KW of heat output.
- **Proven, Industry Standard Components**
Easier service and availability.
- **Quiet Operation and Low Vibration**
20" fan blade combined with custom venturi condenser fan.
- **Accessories**
Roof curbs, economizers, fresh air dampers and more.
- **8 Year Residential Parts Warranty and 5 Year Quality Pledge**
The best warranty in the business. Extended labor protection plans are available.
- **One Year Commercial Parts Warranty**

MODEL IDENTIFICATION CODE



DIMENSIONS

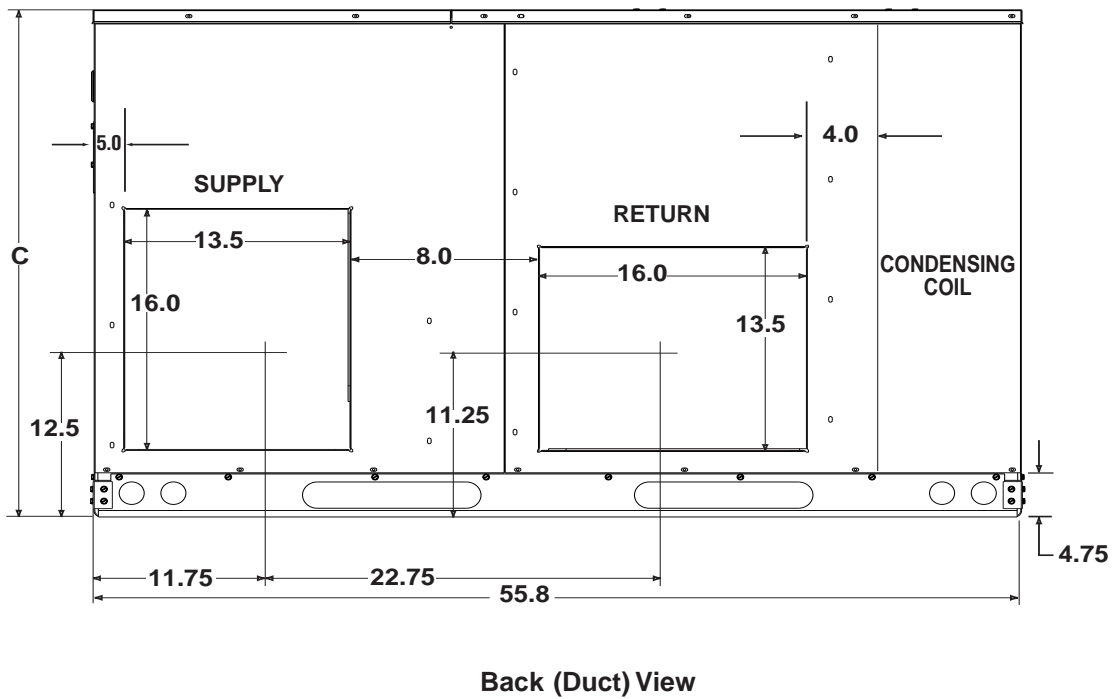
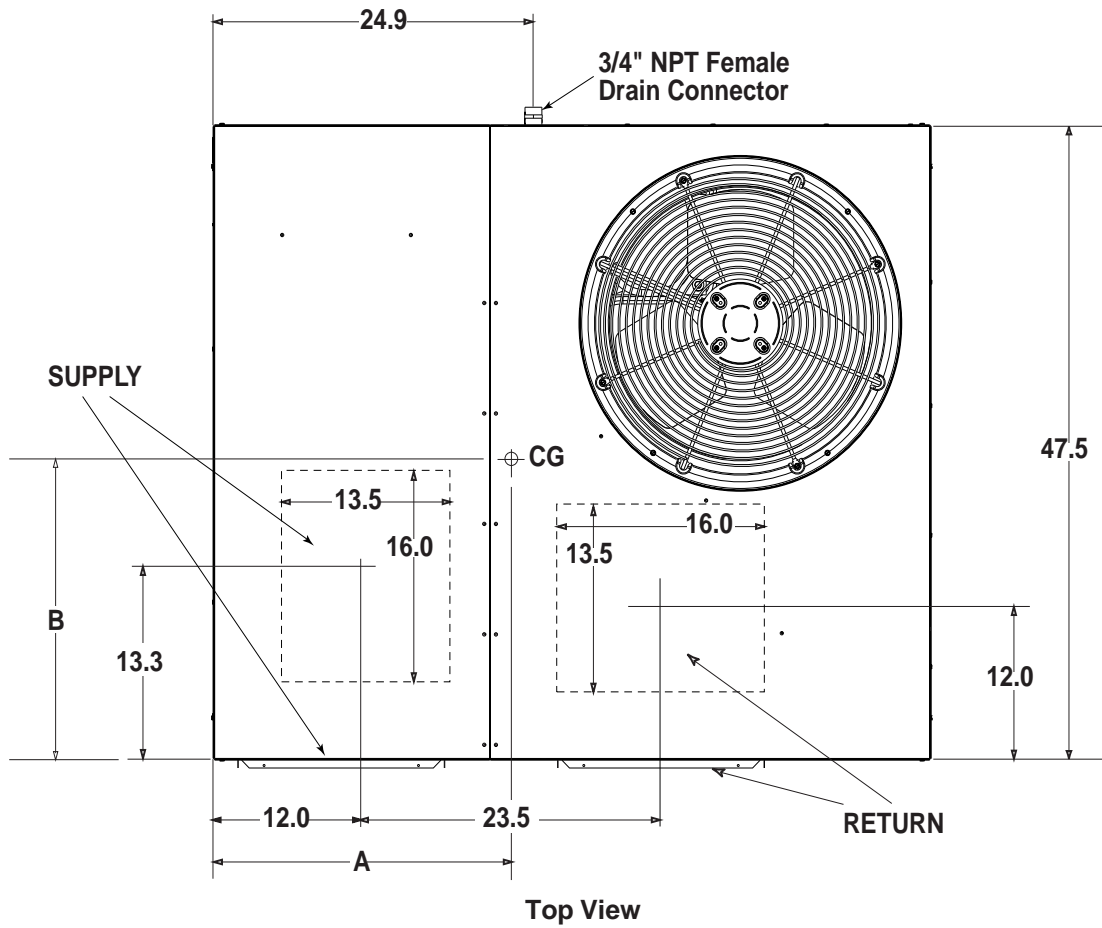


Side View

| Model Number P4SA- | Unit Weight | Center of Gravity | | Height (in inches) C | |
|-----------------------|----------------|-------------------|------|-------------------------|--------------------|
| | | A | B | with base rails | without base rails |
| 036 | 330 | 27.5 | 26.5 | 33.7 | 31.3 |
| 048 | 345 | 28.0 | 26.0 | 33.7 | 31.3 |
| 060 | 380 | 28.5 | 26.5 | 37.7 | 35.3 |

| Model Number P4SC- | Unit Weight | Center of Gravity | | Height (in inches) C | |
|-----------------------|----------------|-------------------|------|-------------------------|--------------------|
| | | A | B | with base rails | without base rails |
| 036 | 335 | 28.0 | 25.5 | 33.7 | 31.3 |
| 048 | 405 | 29.5 | 26.0 | 37.7 | 35.3 |
| 060 | 415 | 29.5 | 26.5 | 37.7 | 35.3 |

DIMENSIONS (Continued)



SPECIFICATIONS

| Model Number | P4SA- | | | | | | | | | P4SC- | | | |
|----------------------------------|------------|------------|------------|------------|------------|------------|------------|------------|------------|------------|------------|------------|------------|
| | 036K | 048K | 060K | 036C | 048C | 060C | 036D | 048D | 060D | 036K | 048K | 060K | 060C |
| Performance | | | | | | | | | | | | | |
| Capacity -Cooling BTUH | 36,000 | 47,000 | 61,000 | 36,000 | 47,000 | 61,000 | 36,000 | 47,000 | 61,000 | 35,000 | 47,000 | 60,000 | 61,000 |
| Efficiency - SEER | 10.00 | 10.00 | 10.00 | 10.00 | 10.00 | 10.00 | 10.00 | 10.00 | 10.00 | 12.00 | 12.00 | 12.00 | 12.00 |
| EER (Btuh/watt) | 9.50 | 9.40 | 9.60 | 9.50 | 9.40 | 9.60 | 9.50 | 9.40 | 9.60 | 11.00 | 10.90 | 10.50 | 10.50 |
| Electrical Rating - 60 Hz | | | | | | | | | | | | | |
| Phase | 1 | 1 | 1 | 3 | 3 | 3 | 3 | 3 | 3 | 1 | 1 | 1 | 3 |
| Operating Voltage Range | 187 - 253 | 187 - 253 | 187 - 253 | 187 - 253 | 187 - 253 | 187 - 253 | 414-506 | 414-506 | 414-506 | 187 - 253 | 187 - 253 | 187 - 253 | 187 - 253 |
| Compressor Data | | | | | | | | | | | | | |
| Volts | 208 / 230 | 208 / 230 | 208 / 230 | 208 / 230 | 208 / 230 | 208 / 230 | 460 | 460 | 460 | 208 / 230 | 208 / 230 | 208 / 230 | 208 / 230 |
| Rated Load Amps | 14.8 | 21.8 | 27 | 10.2 | 12.8 | 18.6 | 4.3 | 6.4 | 8.8 | 15.7 | 21.4 | 32.1 | 19.3 |
| Lock Rotor Amps | 96 | 131 | 144 | 75 | 91 | 128 | 40 | 46 | 63 | 93 | 137 | 169 | 123 |
| Indoor Blower | | | | | | | | | | | | | |
| Type / No. of Speeds | DD / 3 | DD / 3 | DD / 3 | DD / 3 | DD / 3 | DD / 3 | DD / 3 | DD / 3 | DD / 2 | DD / 3 | DD / 3 | DD / 3 | DD / 3 |
| Motor - HP / RPM | 1/4 - 1100 | 1/2 - 1100 | 1/2 - 1100 | 1/3 - 1100 | 1/2 - 1100 | 1/2 - 1100 | 1/2 - 1100 | 1/2 - 1100 | 1/2 - 1100 | 1/4 - 1100 | 1/2 - 1100 | 1/2 - 1100 | 1/2 - 1100 |
| Motor - Amps | 1.3 | 3.1 | 3.1 | 1.3 | 3.1 | 3.1 | 0.7 | 1.7 | 1.7 | 1.3 | 3.1 | 3.1 | 3.1 |
| Outdoor Fan | | | | | | | | | | | | | |
| Motor - HP / RPM | 1/4 - 825 | 1/4 - 825 | 1/4 - 825 | 1/4 - 825 | 1/4 - 825 | 1/4 - 825 | 1/4 - 825 | 1/4 - 825 | 1/4 - 825 | 1/4 - 825 | 1/4 - 825 | 1/3 - 825 | 1/4 - 825 |
| Motor - Amps | 1.2 | 1.2 | 1.2 | 1.2 | 1.2 | 1.2 | 0.6 | 0.6 | 0.6 | 1.2 | 1.2 | 1.2 | 1.2 |
| Fan Diameter / CFM | 20/3600 | 20/3600 | 20/3600 | 20/3600 | 20/3600 | 20/3600 | 20/3600 | 20/3600 | 20/3600 | 20/3600 | 20/3600 | 20/3600 | 20/3600 |
| Refrigerant Charge - Oz. | | | | | | | | | | | | | |
| | 61 | 80 | 104 | 61 | 80 | 104 | 61 | 80 | 104 | 68 | 136 | 160 | 160 |
| Shipping Weight | | | | | | | | | | | | | |
| | 340 | 355 | 390 | 340 | 355 | 390 | 340 | 355 | 390 | 345 | 415 | 425 | 425 |

BLOWER PERFORMANCE

| Model P4SA- | Speed | External Static Pressure Drop - inches water column | | | | | | | |
|-------------|---------|---|------|------|------|------|------|------|------|
| | | 0.1 | 0.2 | 0.3 | 0.4 | 0.5 | 0.6 | 0.7 | 0.8 |
| 036 | High | 1600 | 1510 | 1410 | 1310 | 1200 | 1070 | 930 | 760 |
| | Medium* | 1410 | 1330 | 1250 | 1150 | 1050 | 940 | 820 | 670 |
| | Low | 1130 | 1070 | 1000 | 930 | 850 | 760 | 650 | 530 |
| 048 | High | 2000 | 1930 | 1850 | 1770 | 1690 | 1600 | 1510 | 1410 |
| | Medium* | 1760 | 1700 | 1630 | 1560 | 1490 | 1410 | 1330 | 1250 |
| | Low | 1410 | 1360 | 1310 | 1250 | 1200 | 1130 | 1070 | 1000 |
| 060 | High | 2200 | 2140 | 2070 | 2000 | 1930 | 1850 | 1770 | 1690 |
| | Medium* | 1940 | 1890 | 1830 | 1760 | 1700 | 1630 | 1560 | 1490 |
| | Low | 1560 | 1510 | 1460 | 1410 | 1360 | 1310 | 1250 | 1200 |

| Model P4SC- | Speed | External Static Pressure Drop - inches water column | | | | | | | |
|-------------|---------|---|------|------|------|------|------|------|------|
| | | 0.1 | 0.2 | 0.3 | 0.4 | 0.5 | 0.6 | 0.7 | 0.8 |
| 036 | High | 1600 | 1510 | 1410 | 1310 | 1200 | 1070 | 930 | 760 |
| | Medium* | 1410 | 1330 | 1250 | 1150 | 1050 | 940 | 820 | 670 |
| | Low | 1130 | 1070 | 1000 | 930 | 850 | 760 | 650 | 530 |
| 048 | High | 2170 | 2100 | 2040 | 1960 | 1890 | 1810 | 1730 | 1650 |
| | Medium* | 1910 | 1860 | 1800 | 1730 | 1670 | 1600 | 1530 | 1450 |
| | Low | 1540 | 1490 | 1440 | 1390 | 1340 | 1280 | 1220 | 1160 |
| 060 | High | 2200 | 2140 | 2070 | 2000 | 1930 | 1850 | 1770 | 1690 |
| | Medium* | 1940 | 1890 | 1830 | 1760 | 1700 | 1630 | 1560 | 1490 |
| | Low | 1560 | 1510 | 1460 | 1410 | 1360 | 1310 | 1250 | 1200 |

* Factory Set Speed

HEATER APPLICATION MATRIX

| Model Number | H3HK-005H-01A | H3HK-008H-01A | H3HK-010H-01A | H3HK-015H-01A | H3HK-020H-01A | H3HK-015H-21A | H3HK-020H-21A |
|--------------|---------------|---------------|---------------|---------------|---------------|---------------|---------------|
| | 917166A | 917167A | 917168A | 917169A | 917170A | 917172A | 917173A |
| P4S()-036K | X | X | X(2) | X(2) | NA | X | NA |
| P4S()-048K | X(2) | X(2) | X(2) | X(3) | X(3) | X(1) | X(1) |
| P4S()-060K | X(2) | X(2) | X(2) | X(3) | X(3) | X(1) | X(1) |

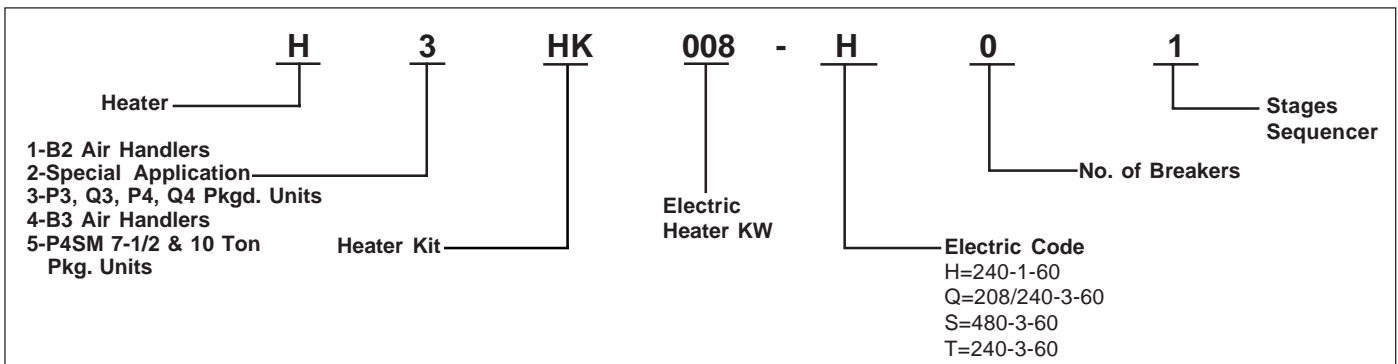
| Model Number | H3HK-009Q-01A | H3HK-015Q-01A |
|--------------|---------------|---------------|
| | 903854A | 903855A |
| P4S()-036C | X | X(2) |
| P4S()-048C | X | X(2) |
| P4S()-060C | X | X(2) |

| Model Number | H3HK-009S-01A | H3HK-015S-01A |
|--------------|---------------|---------------|
| | 903850A | 903851A |
| P4S()-036D | X | X |
| P4S()-048D | X | X |
| P4S()-060D | X | X |

NA = Not Applicable.

() = Number of internal circuit breaker kits required.

MODEL IDENTIFICATION CODE



ELECTRICAL DATA

| Model Number | Heater Installed Nom. KW | Single Supply Circuit Option | | | | | Multiple Supply Circuit Option | | | | | | | | | | | | | | | | | | |
|--------------|-----------------------------|------------------------------|--------------------------------|--------------------------------|--------------------------------|------------------------------------|--------------------------------|--------------------------------|--------------------------------|--------------------------------|------------------------------------|-----------------------------|--------------------------------|--------------------------------|--------------------------------|------------------------------------|----------------------------|--------------------------------|--------------------------------|--------------------------------|------------------------------------|---|---|---|---|
| | | Minimum Circuit Amp. | Rec Wire Gauge (60°C Cu) | Rec Wire Gauge (75°C Cu) | Rec Wire Gauge (90°C Cu) | Maximum Over-current Rating* | Circuit A (Compressor & Fan) | | | | | Circuit B (Blower & Heater) | | | | | Circuit C (Heater Only) | | | | | | | | |
| | | | | | | | Minimum Circuit Amp. | Rec Wire Gauge (60°C Cu) | Rec Wire Gauge (75°C Cu) | Rec Wire Gauge (90°C Cu) | Maximum Over-current Rating* | Minimum Circuit Amp. | Rec Wire Gauge (60°C Cu) | Rec Wire Gauge (75°C Cu) | Rec Wire Gauge (90°C Cu) | Maximum Over-current Rating* | Minimum Circuit Amp. | Rec Wire Gauge (60°C Cu) | Rec Wire Gauge (75°C Cu) | Rec Wire Gauge (90°C Cu) | Maximum Over-current Rating* | | | | |
| P4SA-036K | 0 | 21.0 | 10 | 10 | 10 | 35 | - | - | - | - | - | - | - | - | - | - | - | - | - | - | - | - | - | - | - |
| | 5 | 26.6 | 10 | 10 | 10 | 35 | - | - | - | - | - | - | - | - | - | - | - | - | - | - | - | - | - | - | - |
| | 8 | 41.2 | 6 | 8 | 8 | 45 | - | - | - | - | - | - | - | - | - | - | - | - | - | - | - | - | - | - | - |
| | 10 | 51.6 | 6 | 6 | 8 | 60 | - | - | - | - | - | - | - | - | - | - | - | - | - | - | - | - | - | - | - |
| | 15 | 76.6 | 3 | 4 | 4 | 80 | 50.0 | 6 | 8 | 8 | 60 | 26.6 | 10 | 10 | 10 | 30 | - | - | - | - | - | - | - | - | - |
| P4SA-048K | 0 | 31.6 | 8 | 8 | 8 | 50 | - | - | - | - | - | - | - | - | - | - | - | - | - | - | - | - | - | - | - |
| | 5 | 31.6 | 8 | 8 | 8 | 50 | - | - | - | - | - | - | - | - | - | - | - | - | - | - | - | - | - | - | - |
| | 8 | 43.5 | 6 | 8 | 8 | 50 | - | - | - | - | - | - | - | - | - | - | - | - | - | - | - | - | - | - | - |
| | 10 | 53.9 | 6 | 6 | 8 | 60 | - | - | - | - | - | - | - | - | - | - | - | - | - | - | - | - | - | - | - |
| | 15 | 78.9 | 3 | 4 | 4 | 80 | 50.0 | 6 | 8 | 8 | 50 | 28.6 | 10 | 10 | 10 | 30 | - | - | - | - | - | - | - | - | - |
| 20 | 103.9 | 1 | 2 | 3 | 110 | 50.0 | 6 | 8 | 8 | 50 | 53.9 | 6 | 6 | 8 | 60 | - | - | - | - | - | - | - | - | - | |
| P4SA-060K | 0 | 38.4 | 8 | 8 | 8 | 60 | - | - | - | - | - | - | - | - | - | - | - | - | - | - | - | - | - | - | - |
| | 5 | 38.4 | 8 | 8 | 8 | 60 | - | - | - | - | - | - | - | - | - | - | - | - | - | - | - | - | - | - | - |
| | 8 | 43.5 | 6 | 8 | 8 | 60 | - | - | - | - | - | - | - | - | - | - | - | - | - | - | - | - | - | - | - |
| | 10 | 53.9 | 6 | 6 | 8 | 60 | - | - | - | - | - | - | - | - | - | - | - | - | - | - | - | - | - | - | - |
| | 15 | 78.9 | 3 | 4 | 4 | 80 | 50 | 6 | 8 | 8 | 60 | 28.6 | 10 | 10 | 10 | 30 | - | - | - | - | - | - | - | - | - |
| 20 | 103.9 | 1 | 2 | 3 | 110 | 35.3 | 8 | 8 | 8 | 60 | 53.9 | 6 | 6 | 8 | 60 | 50 | 6 | 8 | 8 | 60 | - | - | - | - | - |
| P4SA-036C | 0 | 15.3 | 12 | 12 | 12 | 25 | - | - | - | - | - | - | - | - | - | - | - | - | - | - | - | - | - | - | - |
| | 9 | 28.7 | 10 | 10 | 10 | 30 | 14.0 | 14 | 14 | 14 | 20 | 28.7 | 10 | 10 | 10 | 30 | - | - | - | - | - | - | - | - | - |
| | 15 | 46.8 | 6 | 8 | 8 | 50 | 14.0 | 14 | 14 | 14 | 20 | 46.8 | 6 | 8 | 8 | 50 | - | - | - | - | - | - | - | - | - |
| P4SA-048C | 0 | 18.5 | 12 | 12 | 12 | 30 | - | - | - | - | - | - | - | - | - | - | - | - | - | - | - | - | - | - | - |
| | 9 | 28.7 | 10 | 10 | 10 | 30 | 17.2 | 12 | 12 | 12 | 30 | 31 | 8 | 8 | 8 | 35 | - | - | - | - | - | - | - | - | - |
| | 15 | 49 | 6 | 8 | 8 | 50 | 17.2 | 12 | 12 | 12 | 30 | 49 | 6 | 8 | 8 | 50 | - | - | - | - | - | - | - | - | - |
| P4SA-060C | 0 | 30.5 | 8 | 8 | 8 | 50 | - | - | - | - | - | - | - | - | - | - | - | - | - | - | - | - | - | - | - |
| | 9 | 31 | 8 | 8 | 8 | 50 | 27.4 | 10 | 10 | 10 | 45 | 31 | 8 | 8 | 8 | 35 | - | - | - | - | - | - | - | - | - |
| | 15 | 49 | 6 | 8 | 8 | 50 | 27.4 | 10 | 10 | 10 | 45 | 49 | 6 | 8 | 8 | 50 | - | - | - | - | - | - | - | - | - |
| P4SA-036D | 0 | 6.7 | 14 | 14 | 14 | 15 | - | - | - | - | - | - | - | - | - | - | - | - | - | - | - | - | - | - | - |
| | 9 | 15 | 14 | 14 | 14 | 20 | 6 | 14 | 14 | 14 | 15 | 15 | 14 | 14 | 14 | 20 | - | - | - | - | - | - | - | - | - |
| | 15 | 24.5 | 10 | 10 | 10 | 25 | 6 | 14 | 14 | 14 | 15 | 24.4 | 10 | 10 | 10 | 25 | - | - | - | - | - | - | - | - | - |
| P4SA-048D | 0 | 10.3 | 14 | 14 | 14 | 15 | - | - | - | - | - | - | - | - | - | - | - | - | - | - | - | - | - | - | - |
| | 9 | 16.2 | 12 | 12 | 12 | 20 | 8.6 | 14 | 14 | 14 | 15 | 16.2 | 12 | 12 | 12 | 20 | - | - | - | - | - | - | - | - | - |
| | 15 | 25.7 | 10 | 10 | 10 | 30 | 8.6 | 14 | 14 | 14 | 15 | 25.7 | 10 | 10 | 10 | 30 | - | - | - | - | - | - | - | - | - |
| P4SA-060D | 0 | 13.3 | 14 | 14 | 14 | 20 | - | - | - | - | - | - | - | - | - | - | - | - | - | - | - | - | - | - | - |
| | 9 | 16.2 | 12 | 12 | 12 | 20 | 11.6 | 14 | 14 | 14 | 20 | 16.2 | 12 | 12 | 12 | 20 | - | - | - | - | - | - | - | - | - |
| | 15 | 25.7 | 10 | 10 | 10 | 30 | 11.6 | 14 | 14 | 14 | 20 | 25.7 | 10 | 10 | 10 | 30 | - | - | - | - | - | - | - | - | - |
| P4SC-036K | 0 | 22.5 | 10 | 10 | 10 | 35 | - | - | - | - | - | - | - | - | - | - | - | - | - | - | - | - | - | - | - |
| | 5 | 26.6 | 10 | 10 | 10 | 35 | - | - | - | - | - | - | - | - | - | - | - | - | - | - | - | - | - | - | - |
| | 8 | 41.2 | 6 | 8 | 8 | 45 | - | - | - | - | - | - | - | - | - | - | - | - | - | - | - | - | - | - | - |
| | 10 | 51.6 | 6 | 6 | 8 | 60 | - | - | - | - | - | - | - | - | - | - | - | - | - | - | - | - | - | - | - |
| | 15 | 76.6 | 3 | 4 | 4 | 80 | 50.0 | 6 | 8 | 8 | 60 | 26.6 | 10 | 10 | 10 | 30 | - | - | - | - | - | - | - | - | - |
| P4SC-048K | 0 | 31.1 | 8 | 8 | 8 | 50 | - | - | - | - | - | - | - | - | - | - | - | - | - | - | - | - | - | - | - |
| | 5 | 31.1 | 8 | 8 | 8 | 50 | - | - | - | - | - | - | - | - | - | - | - | - | - | - | - | - | - | - | - |
| | 8 | 43.5 | 6 | 8 | 8 | 50 | - | - | - | - | - | - | - | - | - | - | - | - | - | - | - | - | - | - | - |
| | 10 | 53.9 | 6 | 6 | 8 | 60 | - | - | - | - | - | - | - | - | - | - | - | - | - | - | - | - | - | - | - |
| | 15 | 78.9 | 3 | 4 | 4 | 80 | 50 | 6 | 8 | 8 | 60 | 28.9 | 10 | 10 | 10 | 30 | - | - | - | - | - | - | - | - | - |
| 20 | 103.9 | 1 | 2 | 3 | 110 | 50 | 6 | 8 | 8 | 60 | 53.9 | 6 | 6 | 8 | 60 | - | - | - | - | - | - | - | - | - | |
| P4SC-060K | 0 | 40.6 | 6 | 8 | 8 | 60 | - | - | - | - | - | - | - | - | - | - | - | - | - | - | - | - | - | - | - |
| | 5 | 40.6 | 6 | 8 | 8 | 60 | - | - | - | - | - | - | - | - | - | - | - | - | - | - | - | - | - | - | - |
| | 8 | 43.5 | 6 | 8 | 8 | 60 | - | - | - | - | - | - | - | - | - | - | - | - | - | - | - | - | - | - | - |
| | 10 | 53.9 | 6 | 6 | 8 | 60 | - | - | - | - | - | - | - | - | - | - | - | - | - | - | - | - | - | - | - |
| | 15 | 78.9 | 3 | 4 | 4 | 80 | 50 | 6 | 8 | 8 | 60 | 28.6 | 10 | 10 | 10 | 30 | - | - | - | - | - | - | - | - | - |
| 20 | 103.9 | 1 | 2 | 3 | 110 | 37.5 | 8 | 8 | 8 | 60 | 53.9 | 6 | 6 | 8 | 60 | 50 | 6 | 8 | 8 | 60 | - | - | - | - | - |
| P4SC-060C | 0 | 28.4 | 10 | 10 | 10 | 45 | - | - | - | - | - | - | - | - | - | - | - | - | - | - | - | - | - | - | - |
| | 9 | 31 | 8 | 8 | 8 | 45 | 25.3 | 10 | 10 | 10 | 40 | 31 | 8 | 8 | 8 | 35 | - | - | - | - | - | - | - | - | - |
| | 15 | 49 | 6 | 8 | 8 | 50 | 25.3 | 10 | 10 | 10 | 40 | 49 | 6 | 8 | 8 | 50 | - | - | - | - | - | - | - | - | - |

*When overcurrent rating exceeds 60, internal circuit breakers must be installed in addition to branch circuit protection at distribution panel.

ACCESSORIES

| Description | Part Number |
|---|-------------|
| Roof Curb (8") | 547830 |
| Roof Curb (14") | 547831 |
| Roof Curb (18") | 547850 |
| Roof Curb (24") | 547851 |
| Supply/return transition, 16" | 547834 |
| Supply/return transition, 18" | 547835 |
| Concentric diffuser, flush, 16" | 547836 |
| Concentric diffuser, flush, 18" | 547837 |
| Concentric diffuser, step down 16" | 547838 |
| Concentric diffuser, step down 18" | 547839 |
| Circuit Breaker, disconnect 3 phase | 913740 |
| Manual Fresh Air Damper | 547832 |
| Motorized Fresh Air Damper | 547840 |
| Economizer, downflow w/filter (does not require filter kit) modulating | 547833 |
| Economizer, horizontal modulating | 547841 |
| Economizer, horizontal 3-position w/filter | 547896 |
| Economizer, downflow 3-position w/filter | 547897 |
| Power Exhaust, downflow economizer (special order) | 547842 |
| Power Exhaust horizontal economizer (special order) | 547843 |
| HOOD TYPE HAIL GUARD 30" X 60" P4SA036, R4GA024, 030, 036, 042, R4GC024 | 547844 |
| HOOD TYPE HAIL GUARD 30" X 76" P4SA048, P4SC036, Q4SA036 | 547845 |
| HOOD TYPE HAIL GUARD 34" X 76" P4SA060, P4SC048, 060, Q4SA048, 060, Q4SC036, R4GA048, 060, R4GC030, 036, 042 | 547846 |
| HOOD TYPE HAIL GUARD 38" X 76" Q4SC048, 060, R4GC048, 060 | 547847 |
| CO2 sensors (special order) | 547848 |
| DUCT SMOKE DETECTOR PHOTO ELEC | 547892 |
| MULTI SIGNAL CONTROL | 547893 |
| SAMPLING TUBE ST3 | 547894 |
| SAMPLING TUBE ST5 | 547895 |
| Filter Rack, All Downflow Applications (not required with economizer) | 547885 |
| Filter Kit (not required with economizer) R4GA 024 -042, R4GC 024, P4SA 036 | 547886 |
| Filter Kit (not required with economizer) P4SA 048, P4SC 036, Q4SA 036 | 547887 |
| Filter Kit (not required with economizer) R4GA 048 - 060, R4GC 030 - 042, P4SA 060, P4SC 048 - 060, Q4SA 048 - 060, Q4SC 036 | 547888 |
| Filter Kit (not required with economizer) R4GC 048 - 060, Q4SC 048 - 060 | 547889 |
| Universal Hard Start Kit | 912933 |
| Low Pressure Switch Kit | 913551 |
| High Pressure Switch Kit | 913550 |
| Low Ambient Kit | 913549A |
| P-Trap Kit | 913810 |
| U.S. LP Gas Conversion Kit (0 ft to 10,000 ft above sea level) | 903616 |
| Canadian LP Gas Conversion Kit (0 to 4,500 ft above sea level) | 903617 |
| Outdoor Thermostat Kit | 913852 |

We Encourage
Professionalism



Through Technician
Certification by NATE



O'Fallon, MO

NORDYNE

959A-1101 (Replaces 959A-0401)

Before purchasing this appliance, read important energy cost and efficiency information available from your retailer. Specifications and illustrations subject to change without notice and without incurring obligations. Printed in U.S.A. (11/01)