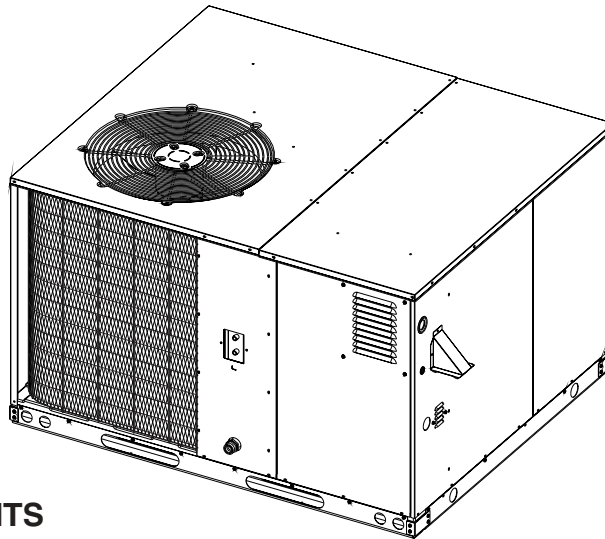


R4GA Series

Single Packaged Gas/Electric Units

R4GA 10 SEER 2 Ton thru 5 Ton Units

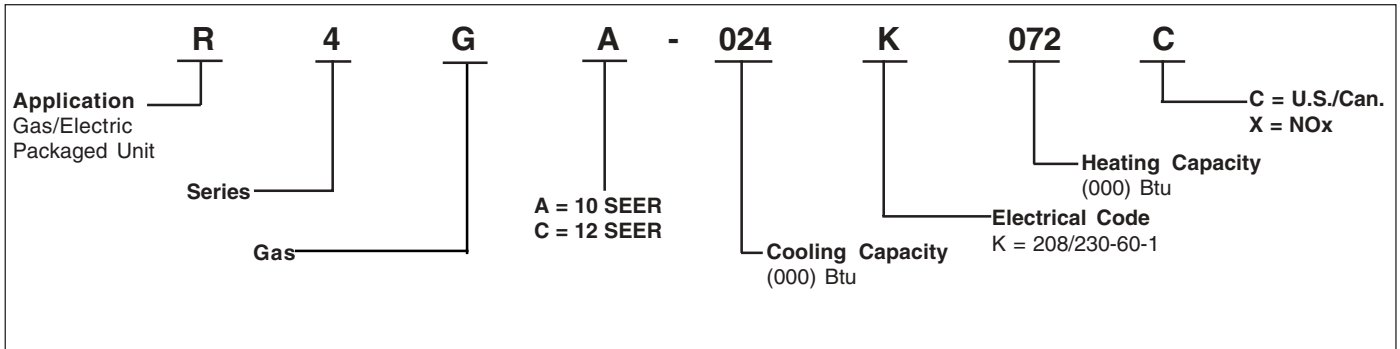
The R4G Series single packaged gas/electrics are high efficiency self contained cooling units that can be installed on the roof or on a slab. The convertible unit design makes installations simple in all applications. Units are ETL and ETLc listed. The unit is truly designed with the contractor and the consumer in mind.



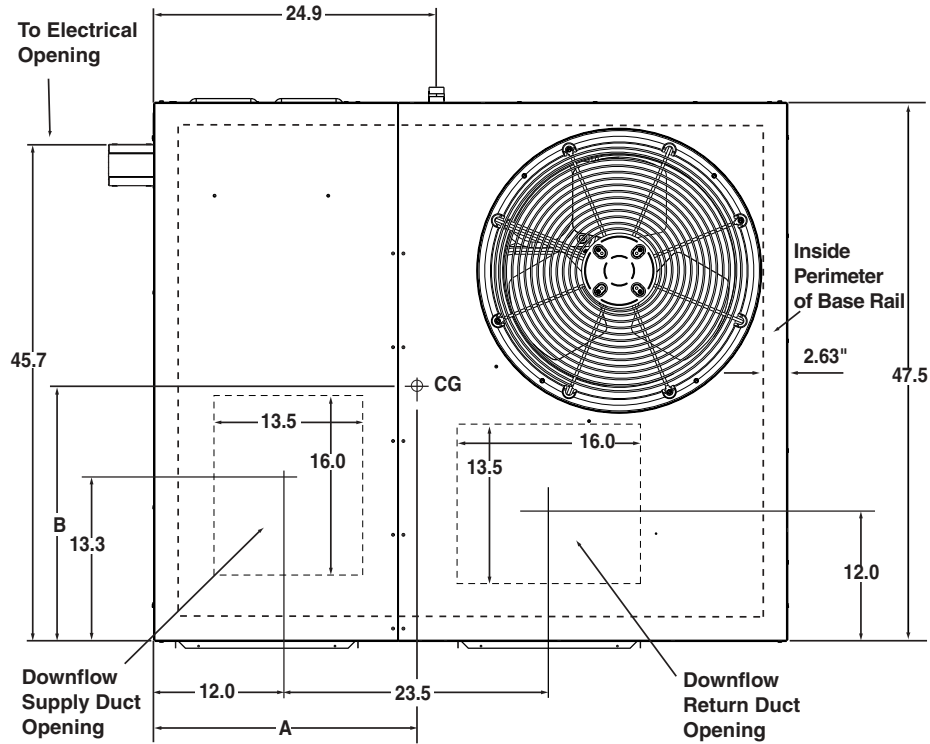
FEATURES AND BENEFITS

- **Compact Footprint/Low Profile**
Easy to handle and transport.
- **Heavy-Gauge, Full Perimeter Base Rails**
Facilitates forklift handling and curb mounting.
- **Convertible Air Delivery**
Horizontal or downflow to accommodate rooftop or horizontal application.
- **Galvanized Steel Cabinet**
with polyurethane finish provides 950 hour salt spray protection to resist corrosion.
- **Plastic Coated Coil Guard and Mesh Hail Guard**
Will never rust and protect the coil from being damaged by balls, lawnmowers, hail etc.
- **Externally Accessible Service Ports**
Quick access to refrigerant system without disrupting operation.
- **Access to Controls and Major Components**
Easy in and out service.
- **Corrosion-Resistant Drain Pan**
Quickly drains away evaporator condensate.
- **Smaller Panels, Great Fit and Finish, Total Seal**
Well-designed, quality construction. Drip edge on top panels whisks away rainwater. Embossed bottom pan keeps blower component compartment dry.
- **Proven, Industry Standard Components**
Easier service and availability.
- **Accessories**
Roof curbs, economizers, fresh air dampers and more.
- **Quiet Operation**
Low vibration.
20" fan blade combined with custom venturi condenser fan.
- **8 Year Residential Parts Warranty and 5 Year Quality Pledge**
The best warranty in the business. Extended labor protection plans are available.
- **One Year Commercial Parts Warranty**

MODEL IDENTIFICATION CODE



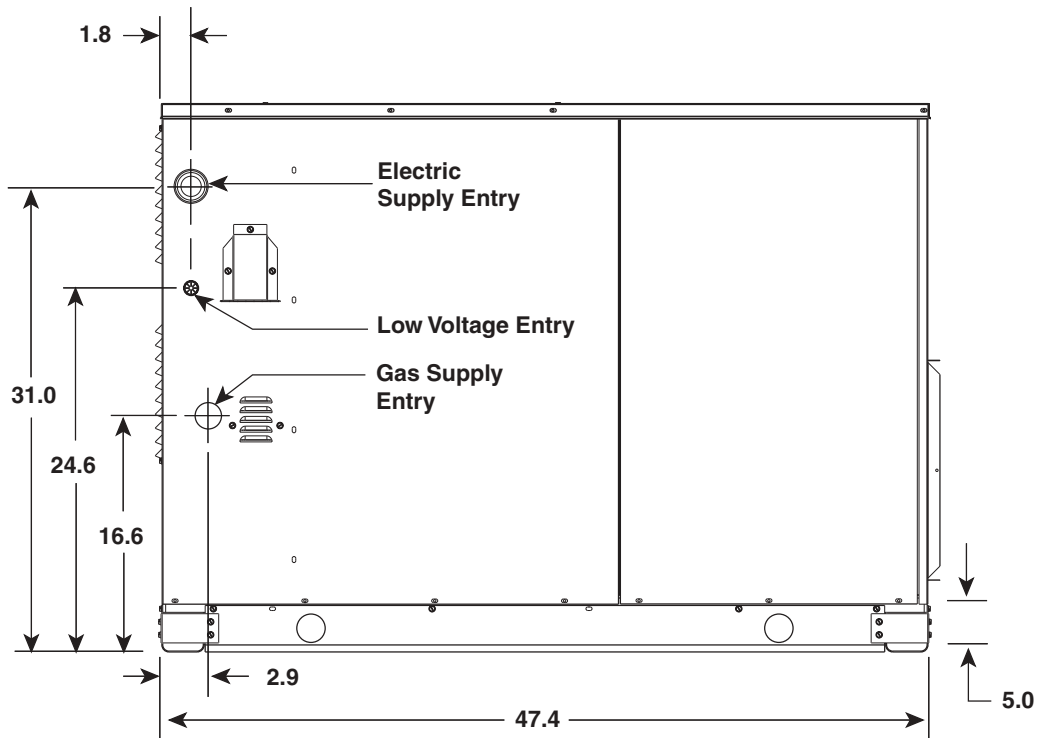
DIMENSIONS



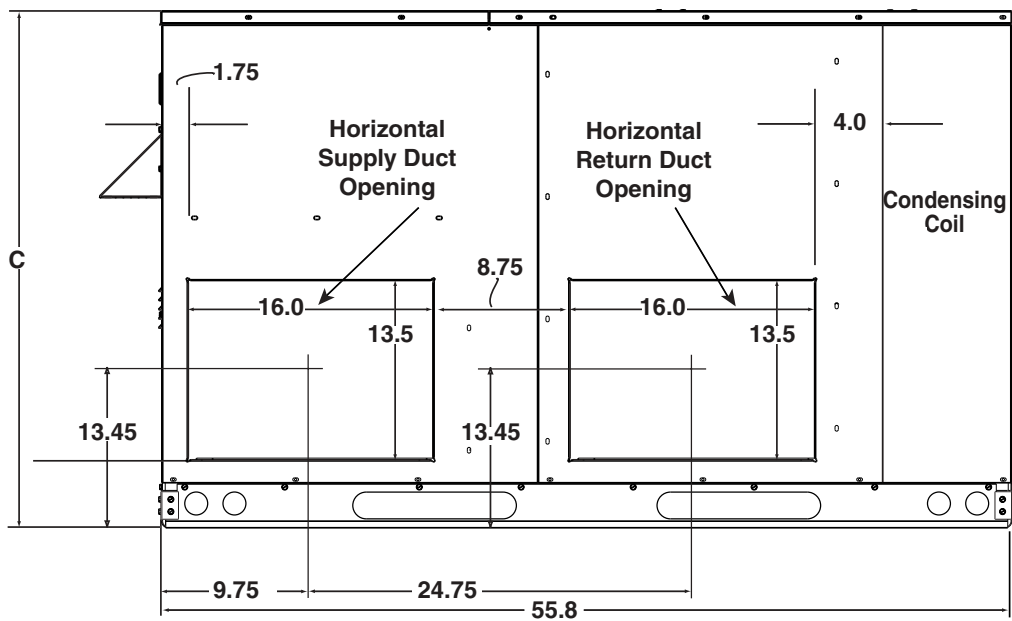
Top View

Model Number (-)R4GA-	Unit Weight	Center of Gravity		Height (in inches)	
		A	B	C with base rails	C without base rails
024K045C	387	25.5	26.5	33.8	31.3
024K072C	395	25.0	26.5	33.8	31.3
030K045C	391	25.5	27.0	33.8	31.3
030K072C	399	25.0	27.0	33.8	31.3
036K072C	422	25.5	27.0	33.8	31.3
036K096C	428	25.0	27.0	33.8	31.3
042K072C	430	25.5	27.0	33.8	31.3
042K096C	440	25.5	27.0	33.8	31.3
048K096C	463	26.0	27.0	37.8	35.3
048K120C	465	25.5	27.0	37.8	35.3
060K096C	490	26.0	27.0	37.8	35.3
060K120C	495	25.5	27.0	37.8	35.3

DIMENSIONS (Continued)



Side View



Back View

SPECIFICATIONS AND ELECTRICAL DATA

SINGLE PHASE

Model R4GA-	024K045C	024K072C	030K045C	030K072C	036K072C	036K096C	042K072C	042K096C	048K096C	048K120C	060K096C	060K120C
Performance												
Heating Input BTUH	45,000	72,000	45,000	72,000	72,000	96,000	72,000	96,000	96,000	120,000	96,000	120,000
Heating Output BTUH	35,000	56,000	35,000	56,000	56,000	75,000	56,000	75,000	75,000	94,000	75,000	94,000
Capacity -Cooling BTUH	24,000	24,000	28,500	28,500	35,500	35,500	40,000	40,000	46,000	46,000	58,000	58,000
AFUE	78	78	78	78	78	78	78	78	78	78	78	78
Efficiency - SEER	10.00	10.00	10.00	10.00	10.00	10.00	10.00	10.00	10.00	10.00	10.00	10.00
Efficiency - EER	10.3	10.3	9.3	9.3	9.3	9.3	9.7	9.7	9.6	9.6	8.9	8.9
Electrical Rating - 60 Hz												
Phase	1	1	1	1	1	1	1	1	1	1	1	1
Operating Voltage Range	187 - 253	187 - 253	187 - 253	187 - 253	187 - 253	187 - 253	187 - 253	187 - 253	187 - 253	187 - 253	187 - 253	187 - 253
Minimum Circuit Ampacity	16.1	16.1	21.6	21.6	25.1	25.1	28.1	28.1	30.7	30.7	42.8	42.8
Max. Over-current Protection	25	25	35	35	40	40	45	45	50	50	60	60
Compressor Data												
Volts	208 / 230	208 / 230	208 / 230	208 / 230	208 / 230	208 / 230	208 / 230	208 / 230	208 / 230	208 / 230	208 / 230	208 / 230
Rated Load Amps	10.9	10.9	15.3	15.3	16.6	16.6	19	19	20.4	20.4	30.1	30.1
Lock Rotor Amps	56	56	75	75	96	96	105	105	102	102	144	144
Indoor Blower												
Wheel Diameter			10x6				10x10					11x10
Type / No. of Speeds	DD / 3	DD / 3	DD / 3	DD / 3	DD / 3	DD / 3	DD / 3	DD / 3	DD / 4	DD / 4	DD / 4	DD / 4
Motor - HP / RPM	1/4 - 1100	1/4 - 1100	1/4 - 1100	1/4 - 1100	1/2 - 1100	1/2 - 1100	1/2 - 1100	1/2 - 1100	3/4 - 1100	3/4 - 1100	3/4 - 1100	3/4 - 1100
Motor - Amps	1.3	1.3	1.3	1.3	3.1	3.1	3.1	3.1	4.0	4.0	4.0	4.0
Outdoor Fan												
Motor - HP / RPM	1/4 - 825	1/4 - 825	1/4 - 825	1/4 - 825	1/4 - 825	1/4 - 825	1/4 - 825	1/4 - 825	1/4 - 825	1/4 - 825	1/4 - 825	1/4 - 825
Motor - Amps	1.2	1.2	1.2	1.2	1.2	1.2	1.2	1.2	1.2	1.2	1.2	1.2
Fan Diameter / CFM	20 / 3500	20 / 3500	20 / 3500	20 / 3500	20 / 3500	20 / 3500	20 / 3500	20 / 3500	20 / 3500	20 / 3500	20 / 3500	20 / 3500
Refrigerant Charge - oz.	70	70	65	65	60	60	73	73	93	93	88	88

AIRFLOW DATA

Model Number	R4GA-	Heating Input (Btuh)	Heating Output (Btuh)	Heating Rise Range (F)	Cooling Output (Btuh)	Motor Speed	Blower Size	Motor HP	External Static Pressure (Inches Water Column)																							
									0.1		0.2		0.3		0.4		0.5		0.6		0.7		0.8									
									CFM	Rise	CFM	Rise	CFM	Rise	CFM	Rise	CFM	Rise	CFM	Rise	CFM	Rise	CFM	Rise	CFM	Rise						
024K045(†)		45,000	35,000	30-60	24,000	High Medium Low**	10 X 6	1/4	1172	-	1109	-	1043	31	975	33	903	36	829	39	752	43	672	48								
									1075	30	1018	32	957	34	892	36	824	39	752	43	676	48	596	54								
									845	38	795	41	741	44	683	48	620	52	552	59	480	-	403	-								
024K072(†)		72,000	56,000	40-70	24,000	High Medium Low**	10 X 6	1/4	1160	45	1102	47	1041	50	976	53	908	57	837	62	762	68	684	-								
									1064	49	1012	51	955	54	895	58	831	63	762	68	690	-	613	-								
									841	62	797	65	749	69	695	-	636	-	571	-	502	-	427	-								
030K045(†)		45,000	35,000	30-60	28,500	High** Medium Low*	10 X 6	1/4	1172	-	1109	-	1043	31	975	33	903	36	829	39	752	43	672	48								
									1075	30	1018	32	957	34	892	36	824	39	752	43	676	48	596	54								
									845	38	795	41	741	44	683	48	620	52	552	59	480	-	403	-								
030K072(†)		72,000	56,000	40-70	28,500	High** Medium Low*	10 X 6	1/4	1160	45	1102	47	1041	50	976	53	908	57	837	62	762	68	684	-								
									1064	49	1012	51	955	54	895	58	831	63	762	68	690	-	613	-								
									841	62	797	65	749	69	695	-	636	-	571	-	502	-	427	-								
036K072(†)		72,000	56,000	40-70	35,500	High Medium Low**	10 X 10	1/2	1852	-	1775	-	1687	-	1590	-	1482	-	1365	40	1237	44	1100	49								
									1736	-	1650	-	1558	-	1460	-	1357	40	1247	44	1131	48	1010	52								
									1427	-	1361	40	1290	42	1214	45	1134	48	1049	52	959	56	865	62								
036K096(†)		96,000	75,000	45-75	35,500	High Medium Low**	10 X 10	1/2	1697	-	1600	-	1503	46	1406	49	1309	53	1212	57	1115	62	1018	68								
									1574	-	1485	47	1396	50	1308	53	1219	57	1130	61	1041	67	952	73								
									1297	53	1225	57	1152	60	1079	64	1006	69	933	74	860	-	788	-								
042K072(†)		72,000	56,000	40-70	40,000	High Medium** Low*	10 X 10	1/2	1852	-	1775	-	1687	-	1590	-	1482	-	1365	40	1237	44	1100	49								
									1736	-	1650	-	1558	-	1460	-	1357	40	1247	44	1131	48	1010	52								
									1427	-	1361	40	1290	42	1214	45	1134	48	1049	52	959	56	865	62								
042K096(†)		96,000	75,000	45-75	40,000	High Medium*** Low	10 X 10	1/2	1697	-	1600	-	1503	46	1406	49	1309	53	1212	57	1115	62	1018	68								
									1574	-	1485	47	1396	50	1308	53	1219	57	1130	61	1041	67	952	73								
									1297	53	1225	57	1152	60	1079	64	1006	69	933	74	860	-	788	-								
048K096(†)		96,000	75,000	45-75	46,000	High Med-High Med-Low**	11 X 10	3/4	2393	-	2307	-	2220	-	2134	-	2047	-	1961	-	1874	-	1787	-								
									2171	-	2093	-	2016	-	1938	-	1860	-	1782	-	1704	45	1625	47								
									1811	-	1751	-	1690	45	1626	47	1561	48	1493	50	1423	53	1351	55								
									1485	51	1439	52	1387	54	1328	56	1262	59	1190	62	1111	66	1025	72								
048K120(†)		120,000	94,000	45-75	46,000	High Med-High Med-Low**	11 X 10	3/4	2061	-	1989	-	1917	45	1845	47	1773	49	1701	51	1628	53	1556	56								
									1865	46	1813	48	1752	49	1680	52	1599	54	1507	58	1406	62	1295	67								
									1635	53	1578	55	1522	57	1465	59	1409	62	1352	64	1296	67	1240	70								
									1357	64	1308	66	1258	69	1209	72	1159	75	1110	-	1060	-	1011	-								
060K096(†)		96,000	75,000	45-75	58,000	High Med-High** Med-Low*	11 X 10	3/4	2393	-	2307	-	2220	-	2134	-	2047	-	1961	-	1874	-	1787	-								
									2171	-	2093	-	2016	-	1938	-	1860	-	1782	-	1704	45	1625	47								
									1811	-	1751	-	1690	45	1626	47	1561	48	1493	50	1423	53	1351	55								
									1485	51	1439	52	1387	54	1328	56	1262	59	1190	62	1111	66	1025	72								
060K120(†)		120,000	94,000	45-75	58,000	High Med-High** Med-Low*	11 X 10	3/4	2061	-	1989	-	1917	45	1845	47	1773	49	1701	51	1628	53	1556	56								
									1865	46	1813	48	1752	49	1680	52	1599	54	1507	58	1406	62	1295	67								
									1635	53	1578	55	1522	57	1465	59	1409	62	1352	64	1296	67	1240	70								
									1357	64	1308	66	1258	69	1209	72	1159	75	1110	-	1060	-	1011	-								
									2393	-	2307	-	2220	-	2134	-	2047	-	1961	-	1874	-	1787	-								
									2171	-	2093	-	2016	-	1938	-	1860	-	1782	-	1704	45	1625	47								
									1811	-	1751	-	1690	45	1626	47	1561	48	1493	50	1423	53	1351	55								
									1485	51	1439	52	1387	54	1328	56	1262	59	1190	62	1111	66	1025	72								
									2061	-	1989	-	1917	45	1845	47	1773	49	1701	51	1628	53	1556	56								
									1865	46	1813	48	1752	49	1680	52	1599	54	1507	58	1406	62	1295	67								
									1635	53	1578	55	1522	57	1465	59	1409	62	1352	64	1296	67	1240	70								
									1357	64	1308	66	1258	69	1209	72	1159	75	1110	-	1060	-	1011	-								
									2393	-	2307	-	2220	-	2134	-	2047	-	1961	-	1874	-	1787	-								
									2171	-	2093	-	2016	-	1938	-	1860	-	1782	-	1704	45	1625	47								
									1811	-	1751	-	1690	45	1626	47	1561	48	1493	50	1423	53	1351	55								
									1485	51	1439	52	1387	54	1328	56	1262	59	1190	62	1111	66	1025	72								
									2061	-	1989	-	1917	45	1845	47	1773	49	1701	51	1628	53	1556	56								
									1865	46	1813	48	1752	49	1680	52	1599	54	1507	58	1406	62	1295	67								
									1635	53	1578	55	1522	57	1465	59	1409	62	1352	64	1296	67	1240	70								
									1357	64	1308	66	1258	69	1209	72	1159	75	1110	-	1060	-	1011	-								
									2393	-	2307	-	2220	-	2134	-	2047	-	1961	-	1874	-	1787	-								
									2171	-	2093	-	2016	-	1938	-	1860	-	1782	-	1704	45	1625	47								
									1811	-	1751	-	1690	45	1626	47	1561	48	1493	50	1423	53	1351	55								

R4GA ACCESSORIES

Description	Part Number
Roof Curb (8")	547830
Roof Curb (14")	547831
Roof Curb (18")	547850
Roof Curb (24")	547851
Supply/return transition, 16"	547834
Supply/return transition, 18"	547835
Concentric diffuser, flush, 16"	547836
Concentric diffuser, flush, 18"	547837
Concentric diffuser, step down 16"	547838
Concentric diffuser, step down 18"	547839
Manual Fresh Air Damper	547832
Motorized Fresh Air Damper	547840
Economizer, downflow w/filter (does not require filter kit) modulating	547833
Economizer, horizontal modulating	547841
Economizer, horizontal 3-position w/filter	547896
Economizer, downflow 3-position w/filter	547897
Power Exhaust for use with downflow economizer (special order)	547842
Power Exhaust for use with horizontal economizer (special order)	547843
HOOD TYPE HAIL GUARD 30" X 60" P4SA036, R4GA024, 030, 036, 042, R4GC024	547844
HOOD TYPE HAIL GUARD 30" X 76" P4SA048, P4SC036, Q4SA036	547845
HOOD TYPE HAIL GUARD 34" X 76" P4SA060, P4SC048, 060, Q4SA048, 060, Q4SC036, R4GA048, 060, R4GC030, 036, 042	547846
HOOD TYPE HAIL GUARD 38" X 76" Q4SC048, 060, R4GC048, 060	547847
CO2 sensors (special order)	547848
DUCT SMOKE DETECTOR PHOTO ELEC	547892
MULTI SIGNAL CONTROL	547893
SAMPLING TUBE ST3	547894
SAMPLING TUBE ST5	547895
Filter Rack, All Downflow Applications (not required with economizer)	547885
Filter Kit (not required with economizer) for Horizontal Applications R4GA 024 - 042	547886
Filter Kit (not required with economizer) for Horizontal Applications PPA1SC 036	547887
Filter Kit (not required with economizer) for Horizontal Applications PPA1SC 048 - 060	547888
Universal Hard Start Kit	912933
High Pressure Switch Kit	913550
Low Ambient Kit	913549A
P-Trap Kit	913810
U.S. LP Gas Conversion Kit (0 ft to 10,000 ft above sea level)	904090A
Canadian LP Gas Conversion Kit (0 to 4,500 ft above sea level)	904091A
Outdoor Thermostat Kit	913852

953A-0404 (Replaces 953A-1101)