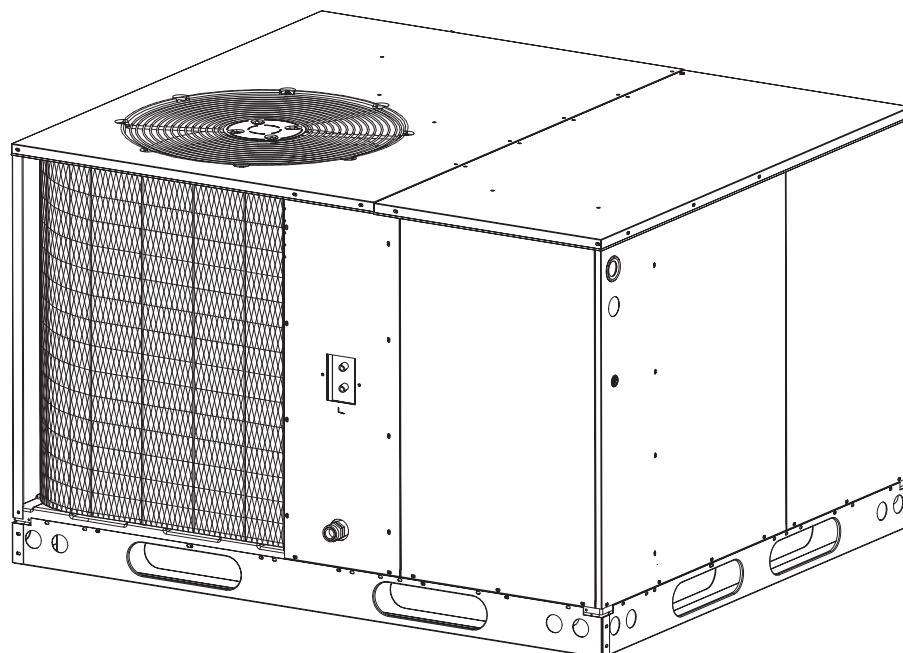




GP4S(A/C) Series

Single Packaged Air Conditioning

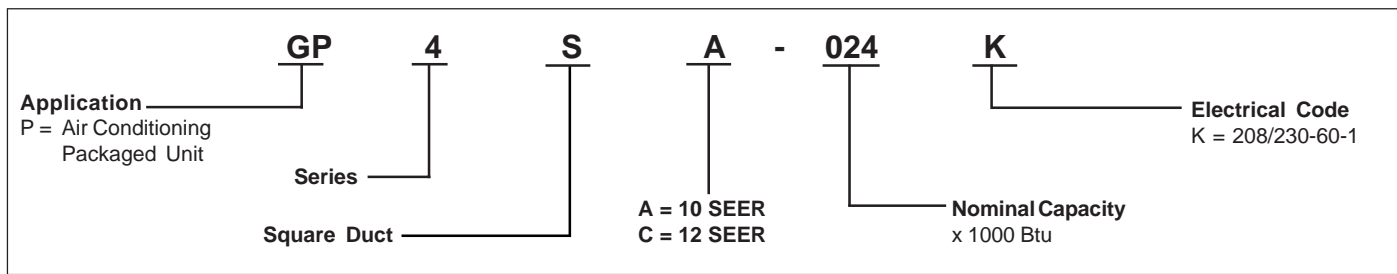
The GP4 Series single packaged units are high efficiency self contained cooling and heating units that can be installed on a roof or on a slab. The convertible unit design makes installations simple in all applications. Units are ETL and ETLc listed.



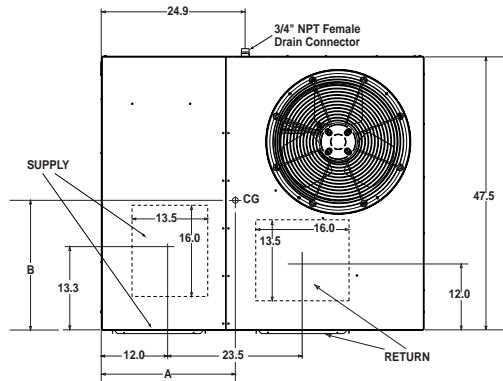
FEATURES AND BENEFITS

- **Compact Footprint/Low Profile**
Easy to handle and transport.
- **Heavy-Gauge, Full Perimeter Base Rails**
Facilitates forklift handling and curb mounting.
- **Convertible Air Delivery**
Horizontal or downflow to accommodate rooftop or horizontal application.
- **Galvanized Steel Cabinet**
with polyurethane finish provides 950 hour salt spray protection.
- **Plastic Mesh Hail Guard**
Will never rust and protect the coil from being damaged by balls, lawnmowers, hail etc.
- **Externally Accessible Service Ports**
Quick access to refrigerant system without disrupting operation.
- **Access to Controls and Major Components**
Easy in and out service.
- **Corrosion-Resistant Drain Pan**
Quickly drains away evaporator condensate.
- **Service Access Panels**
To all major components and the compressor. Designed to make servicing easier for the Contractor.
- **Easy to Install**
Electric heat strip provides up to 20 KW of heat output.
- **Proven, Industry Standard Components**
Easier service and availability.
- **Quiet Operation**
Low vibration.
20" fan blade combined with custom venturi condenser fan.
- **Accessories**
Roof curbs, economizers, fresh air dampers and more.
- **Five-Year Residential Parts Warranty**
Extended labor protection plans are available.
- **One Year Commercial Parts Warranty**

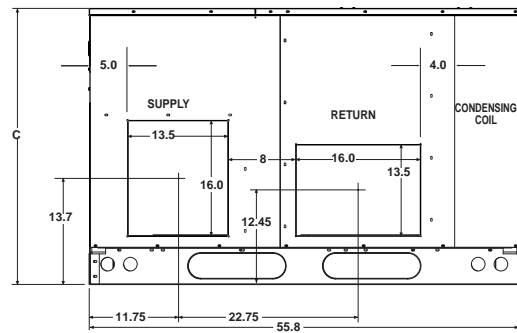
MODEL IDENTIFICATION CODE



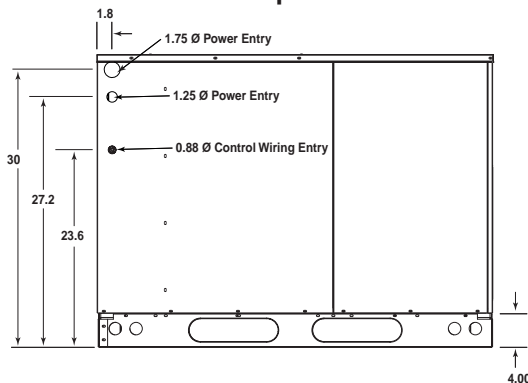
DIMENSIONS



Top View



Back (Duct) View



Side View

Model Number GP4SA-	Unit Weight	Center of Gravity		Height (in inches) C	
		A	B	with base rails	without base rails
036	330	27.5	26.5	35.0	31.3
048	345	28.0	26.0	35.0	31.3
060	380	28.5	26.5	39.0	35.3

Model Number GP4SC-	Unit Weight	Center of Gravity		Height (in inches) C	
		A	B	with base rails	without base rails
036	335	28.0	25.5	35.0	31.3
048	405	29.5	26.0	39.0	35.3
060	415	29.5	26.5	39.0	35.3

BLOWER PERFORMANCE

Model GP4SA-	Speed	External Static Pressure Drop - inches water column							
		0.1	0.2	0.3	0.4	0.5	0.6	0.7	0.8
036	High	1600	1510	1410	1310	1200	1070	930	760
	Medium*	1410	1330	1250	1150	1050	940	820	670
	Low	1130	1070	1000	930	850	760	650	530
048	High	2000	1930	1850	1770	1690	1600	1510	1410
	Medium*	1760	1700	1630	1560	1490	1410	1330	1250
	Low	1410	1360	1310	1250	1200	1130	1070	1000
060	High	2200	2140	2070	2000	1930	1850	1770	1690
	Medium*	1940	1890	1830	1760	1700	1630	1560	1490
	Low	1560	1510	1460	1410	1360	1310	1250	1200

Model GP4SC-	Speed	External Static Pressure Drop - inches water column							
		0.1	0.2	0.3	0.4	0.5	0.6	0.7	0.8
036	High	1600	1510	1410	1310	1200	1070	930	760
	Medium*	1410	1330	1250	1150	1050	940	820	670
	Low	1130	1070	1000	930	850	760	650	530
048	High	2170	2100	2040	1960	1890	1810	1730	1650
	Medium*	1910	1860	1800	1730	1670	1600	1530	1450
	Low	1540	1490	1440	1390	1340	1280	1220	1160
060	High	2200	2140	2070	2000	1930	1850	1770	1690
	Medium*	1940	1890	1830	1760	1700	1630	1560	1490
	Low	1560	1510	1460	1410	1360	1310	1250	1200

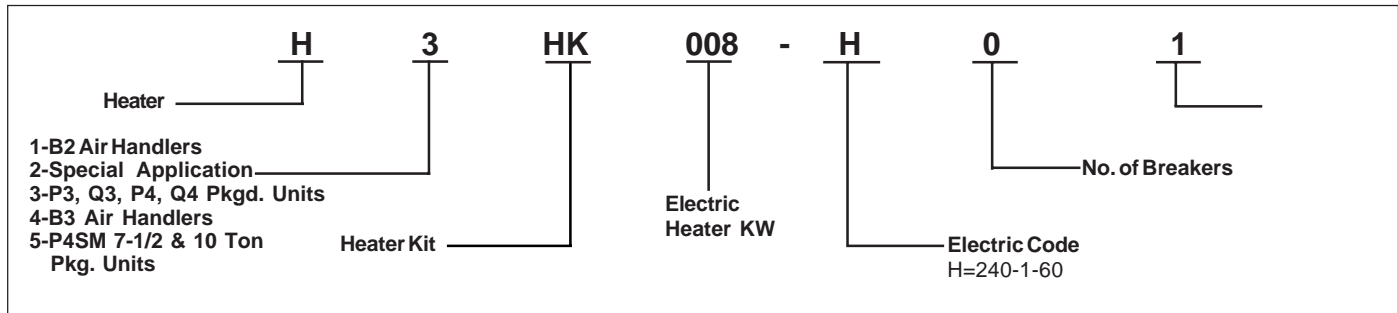
*Factory Set Speed

HEATER APPLICATION MATRIX

Model Number	H3HK-005H-01A 917166A	H3HK-008H-01A 917167A	H3HK-010H-01A 917168A	H3HK-015H-01A 917169A	H3HK-020H-01A 917170A	H3HK-015H-21A 917172A	H3HK-020H-21A 917173A
GP4S()-036K	X	X	X(2)	X(2)	NA	X	NA
GP4S()-048K	X(2)	X(2)	X(2)	X(3)	X(3)	X(1)	X(1)
GP4S()-060K	X(2)	X(2)	X(2)	X(3)	X(3)	X(1)	X(1)

() = Number of internal circuit breaker kits required.

MODEL IDENTIFICATION CODE



GP4 ACCESSORIES

Description	Part Number
Roof Curb (8")	547830
Roof Curb (14")	547831
Roof Curb (18")	547850
Filter Rack, All Downflow Applications (not required with economizer)	547885
Filter Kit (not required with economizer) R4GA 024 - 042, R4GC 024, P4SA 036	547886
Filter Kit (not required with economizer) P4SA 048, P4SC 036, Q4SA 036	547887
Filter Kit (not required with economizer) R4GA 048 - 060, R4GC 030 - 042, P4SA 060, P4SC 048 - 060, Q4SA 048 - 060, Q4SC 036	547888
Filter Kit (not required with economizer) R4GC 048 - 060, Q4SC 048 - 060	547889
Universal Hard Start Kit	912933
Low Pressure Switch Kit	913551
High Pressure Switch Kit	913550
Low Ambient Kit	913549A
P-Trap Kit	913810
U.S. LP Gas Conversion Kit (0 ft to 10,000 ft above sea level)	904090A
Canadian LP Gas Conversion Kit (0 to 4,500 ft above sea level)	904091A
Outdoor Thermostat Kit	913852

