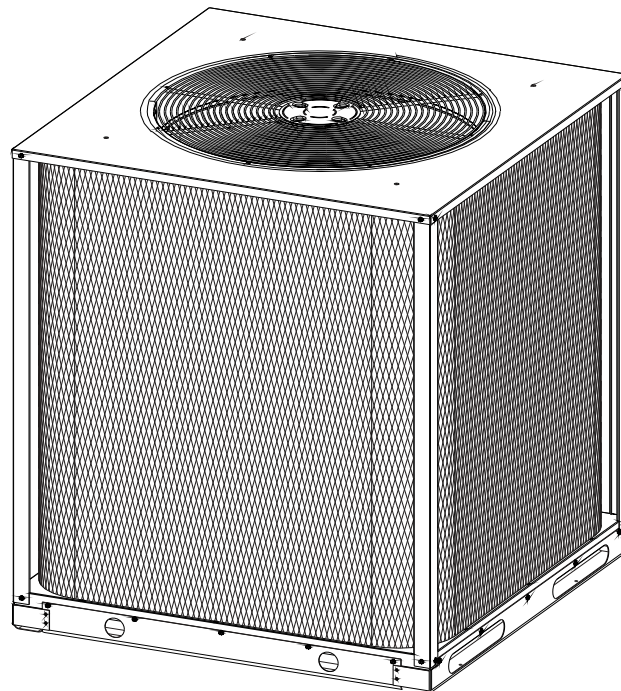


## **GS3BM Series Split System Air Conditioner 9.0 EER Commercial System 7½ and 10 Ton Capacity**

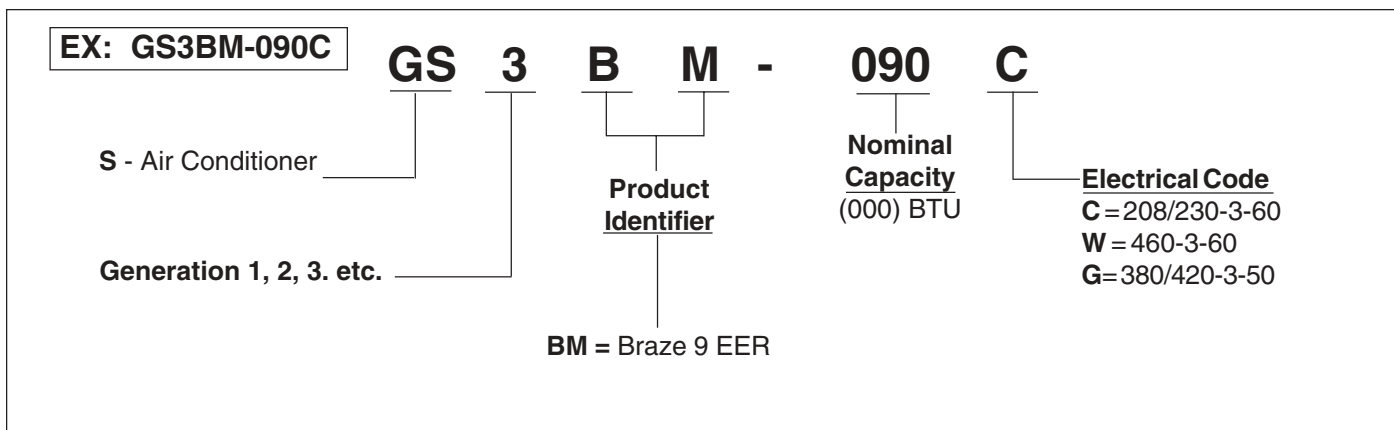
The GS3BM Series of air conditioners offers exceptional performance from a small, compact package. The unit, when combined with our air handlers, offers a line of quality, split system cooling equipment. The GS3BM is rated at 9 EER when matched with our air handler. Units are ideally sized for slab or rooftop mounting in light commercial applications.



### **FEATURES and BENEFITS**

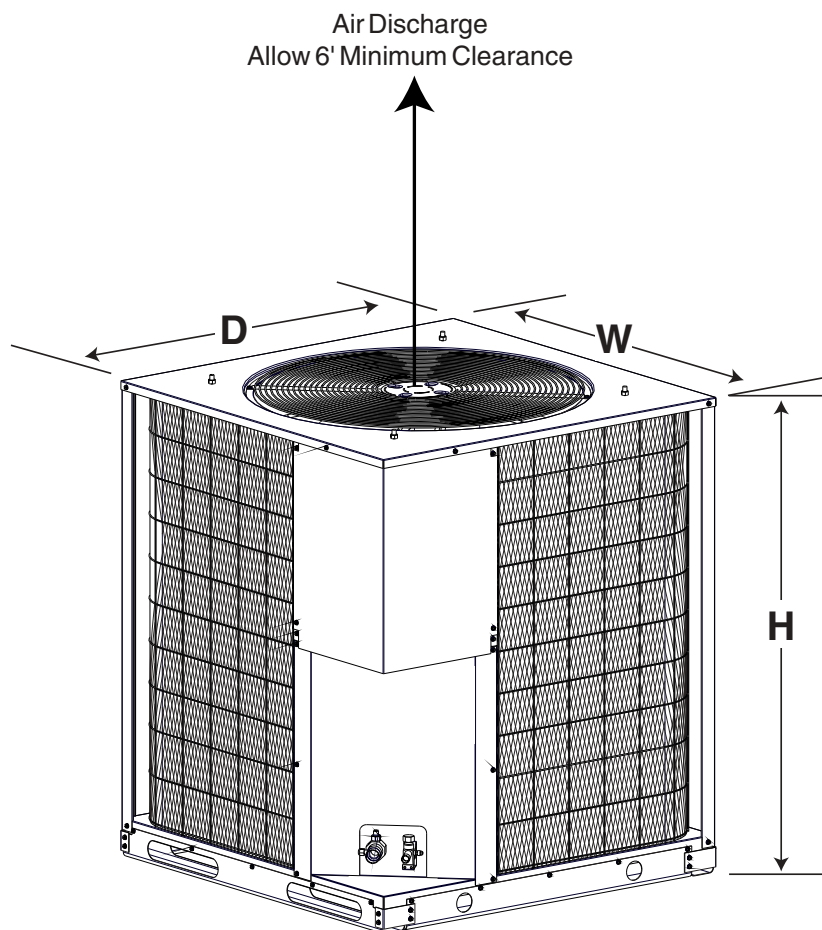
- **Quality Compressor** - State of the art scroll compressor is standard equipment with hi/low pressure switches that ensure long compressor life.
  - **Durable, Attractive Cabinet** – Designed using galvanized steel with a polyester urethane finish. The 950 hour salt spray finish is 1.5 mil thick and resists corrosion 50% better than comparable units.
  - **Copper Tube / Aluminum Fin Coils** – Both indoor and outdoor coils are designed to optimize heat transfer, minimize size and cost, and increase durability and reliability.
  - **Permanently Lubricated Motor** – A heavy duty PSC motor for long lasting reliability and quiet operation. Requires no maintenance and is completely protected from rain and snow.
  - **Full Service Valves** – These brass valves are easily accessible and simplify servicing of the refrigeration system.
  - **Plastic Mesh Hail Guard** – A guard that will never rust and protects the units coil from being damaged.
  - **Removable Top Grille Assembly** – Allows ease of service from the top without disconnecting fan motor leads.
  - **Raised Base** – The sturdy base keeps the bottom of the coil out of harms way and allows water from rain to flow away from the unit.
  - **Five Minute Restart Time Delay** – When the unit shuts down, a five minute delay keeps the unit from restarting, eliminating the highest cause for compressor failure.
  - **Easy Compressor and Control Access** – Designed to make servicing easier for the contractor, access panels are provided to all controls and the compressor from the side of the unit.
  - **1 Year Limited All Parts Warranty, 5 Year Parts Coverage on Compressor** – Proven to be a major benefit to the consumer.
-

## MODEL IDENTIFICATION CODES



## DIMENSIONS (Inches) AIR CONDITIONER OUTDOOR SECTION

| GS3BM-          | 090    | 120    |
|-----------------|--------|--------|
| Height          | 44-1/4 | 44-1/4 |
| Width           | 37-1/2 | 37-1/2 |
| Depth           | 37-1/2 | 37-1/2 |
| Shipping Height | 50     | 50     |



# PHYSICAL AND ELECTRICAL SPECIFICATIONS / OUTDOOR UNITS

## 9 EER —High Efficiency — Three Phase

| Model No. GS3BM-             |   | 090C                       | 090W                     | 120C                     | 120W                     |                          |
|------------------------------|---|----------------------------|--------------------------|--------------------------|--------------------------|--------------------------|
| Electrical Data              | Volts-Phase-Hz  | 208/230-3-60               | 460-3-60<br>380/420-3-50 | 208/230-3-60             | 460-3-60<br>380/420-3-50 |                          |
|                              | Voltage Range (Min-Max)   | 60 Hz                      | 187-253                  | 414-506                  | 187-253                  | 414-506                  |
|                              |   | 50 Hz                      | ----                     | 361-462                  | ----                     | 361-462                  |
|                              | Total Amps  | 34.2                       | 17.2                     | 43.1                     | 19.7                     |                          |
|                              | Min. Circuit Ampacity   | 41.4                       | 20.9                     | 52.5                     | 24                       |                          |
|                              | Delay Fuse Max. (1)   | 70                         | 35.0                     | 90.0                     | 40                       |                          |
|                              | Wire Size/Max Length (AWG 60°C Cu)  | 4                          | 8                        | 2                        | 8                        |                          |
|                              | Wire Size/Max Length (AWG 75°C Cu)  | 6                          | 8                        | 3                        | 8                        |                          |
| Component Data               | Coil  | Area                       | 31.94                    | 31.94                    | 31.94                    | 31.94                    |
|                              |   | Rows-FPI                   | 1-22                     | 1-22                     | 1-22                     | 1-22                     |
|                              |   | Tube Dia.                  | 3/8 O.D.                 | 3/8 O.D.                 | 3/8 O.D.                 | 3/8 O.D.                 |
|                              | Fan Motor   | Volts-Phase-Hz             | 208/230-1-60             | 460-1-60<br>380/420-1-50 | 208/230-1-60             | 460-1-60<br>380/420-1-50 |
|                              |   | Qty                        | 1                        | 1                        | 1                        | 1                        |
|                              |   | Horsepower                 | 1                        | 1                        | 1                        | 1                        |
|                              |   | Full Load LRA              | 5.4                      | 2.5                      | 5.4                      | 2.5                      |
|                              | Fan Blade   | Dia./Pitch/#Blades         | 26 / 28 / 4              | 26 / 28 / 4              | 26 / 28 / 4              | 26 / 28 / 4              |
|                              |   | RPM/CFM (Max-Total)        | 1060 / 5500              | 1060 / 5500              | 1060 / 8000              | 1060 / 8000              |
|                              | Compressor Data   | Volts-Phase-Hz             | 208/230-3-60             | 460-3-60                 | 208/230-3-60             | 460-3-60                 |
|                              |   | Qty./Type                  | 1 / Scroll               | 1 / Scroll               | 1 / Scroll               | 1 / Scroll               |
|                              |   | RLA                        | 28.8                     | 14.7                     | 37.7                     | 17.2                     |
|                              |   | LRA                        | 195                      | 95                       | 239                      | 125                      |
|                              |   | Stages/Percent             | 1 / 100                  | 1 / 100                  | 1 / 100                  | 1 / 100                  |
|                              |   | Crankcase Heater Qty./Type | 1 / Band                 | 1 / Band                 | 1 / Band                 | 1 / Band                 |
|                              | Refrigerant Suction Line-Length/O.D.<br>(Liq. Line All Lengths - 5/8" O.D.) | 0 - 15 ft.                 | 1 1/8"                   | 1 1/8"                   | 1 1/8"                   | 1 1/8"                   |
| 16 - 25 ft.                  |   | 1 1/8"                     | 1 1/8"                   | 1 1/8"                   | 1 1/8"                   |                          |
| 26 - 75 ft.                  |   | 1 1/8"                     | 1 1/8"                   | 1 3/8" (3)               | 1 3/8" (3)               |                          |
| Refrigerant Charge           | Holding   | 56                         | 56                       | 76                       | 76                       |                          |
| R-22 Ounces                  | Total System with 15' Line Set (2)  | 288                        | 288                      | 304                      | 304                      |                          |
| Weight<br>Approximate (lbs.) | Net   | 325                        | 325                      | 341                      | 341                      |                          |
|                              | Ship  | 362                        | 362                      | 378                      | 378                      |                          |

(1) HACR Type Circuit Breakers may be used.

(2) Add 9.0 oz. of refrigerant per 5 foot of additional line set.

(3) Requires 1-3/8" to 1-1/8" reducer from unit to line.

## ACCESSORIES - Condensing Unit

**Low Ambient Kit - 913549A** — Maintains system pressures during low ambient conditions.

**Liquid Line Solenoid Kit - 917452**

| COPPER WIRE SIZE — AWG<br>(1% Voltage Drop) |     |     |    |                            |
|---|-----|-----|----|----------------------------|
| Supply Wire Length-Feet                     |     |     |    | Supply Circuit<br>Ampacity |
| 200   | 150 | 100 | 50 |                            |
| 6   | 8   | 10  | 14 | 15                         |
| 4   | 6   | 8   | 12 | 20                         |
| 4   | 6   | 8   | 10 | 25                         |
| 4   | 4   | 6   | 10 | 30                         |
| 3   | 4   | 6   | 8  | 35                         |
| 3   | 4   | 6   | 8  | 40                         |
| 2   | 3   | 4   | 6  | 45                         |
| 2   | 3   | 4   | 6  | 50                         |
| 2   | 3   | 4   | 6  | 55                         |
| 1   | 2   | 3   | 4  | 60                         |

Wire Size based on N.E.C. for 60° type copper conductors.

## 9 EER — High Efficiency — Three Phase

| Outdoor Unit Number | Indoor Unit Number | BTUH    | EER | SCFM      | Orifice  |
|---------------------|--------------------|---------|-----|-----------|----------|
| GS3BM-090C          | B3BM-048K (2 ea)   | 90,000  | 9.0 | 1500 (ea) | 0.082(1) |
| GS3BM-090C          | B3SM-090           | 90,000  | 9.0 | 3000      | TXV      |
| GS3BM-090W          | B3BM-048K (2 ea)   | 90,000  | 9.0 | 1500 (ea) | 0.082(1) |
| GS3BM-090W          | B3SM-090           | 90,000  | 9.0 | 3000      | TXV      |
| GS3BM-120C          | B3BM-060K (2 ea)   | 115,000 | 9.0 | 1750 (ea) | 0.093(1) |
| GS3BM-120C          | B3SM-120           | 115,000 | 9.0 | 4000      | TXV      |
| GS3BM-120W          | B3BM-060K (2 ea)   | 115,000 | 9.0 | 1750 (ea) | 0.093(1) |
| GS3BM-120W          | B3SM-120           | 115,000 | 9.0 | 4000      | TXV      |

(1) Supplied with indoor coil or air handler.

See current ARI Directory for certified combinations and ratings.

## EXPANDED RATINGS WITH B3BM

### GS3BM-090 with B3BM-048K (Twin)

| O.D.T. |       |       | 85°F  |      |      | 95°F  |      |      | 105°F |      |      | 115°F |      |      |
|--------|-------|-------|-------|------|------|-------|------|------|-------|------|------|-------|------|------|
| CFM    | E.D.B | E.W.B | T.C.  | S.C. | K.W. | T.C.  | S.C. | K.W. | T.C.  | S.C. | K.W. | T.C.  | S.C. | K.W. |
| 2500   | 80    | 62    | 80.4  | 67.6 | 8.8  | 77.9  | 66.9 | 9.5  | 71.3  | 63.5 | 10.2 | 67.7  | 61.6 | 11.0 |
|        | 80    | 67    | 88.4  | 59.2 | 9.0  | 86.3  | 58.3 | 9.7  | 79.0  | 55.0 | 10.4 | 75.0  | 53.3 | 11.3 |
|        | 80    | 72    | 98.2  | 49.9 | 9.2  | 95.6  | 48.6 | 10.0 | 87.6  | 45.5 | 10.6 | 83.4  | 43.7 | 11.5 |
|        | 75    | 63    | 81.9  | 57.1 | 8.8  | 79.7  | 56.3 | 9.5  | 72.7  | 52.9 | 10.2 | 69.1  | 51.2 | 11.1 |
| 3000   | 80    | 62    | 84.6  | 75.5 | 9.1  | 81.9  | 74.9 | 9.8  | 75.0  | 71.1 | 10.5 | 71.2  | 68.9 | 11.3 |
|        | 80    | 67    | 92.5  | 65.5 | 9.3  | 90.0  | 64.2 | 10.0 | 82.0  | 60.7 | 10.7 | 77.9  | 58.9 | 11.6 |
|        | 80    | 72    | 101.6 | 53.9 | 9.5  | 99.4  | 52.8 | 10.3 | 91.0  | 49.5 | 10.9 | 86.4  | 47.8 | 11.9 |
|        | 75    | 63    | 85.6  | 63.0 | 9.1  | 83.2  | 61.8 | 9.8  | 75.6  | 58.2 | 10.5 | 71.7  | 56.4 | 11.4 |
| 3500   | 80    | 62    | 87.8  | 82.3 | 9.4  | 85.1  | 81.7 | 10.1 | 78.0  | 76.7 | 10.7 | 73.9  | 73.9 | 11.6 |
|        | 80    | 67    | 95.6  | 70.4 | 9.6  | 92.7  | 69.9 | 10.3 | 84.2  | 66.3 | 10.9 | 79.9  | 64.4 | 11.8 |
|        | 80    | 72    | 104.4 | 57.6 | 9.8  | 102.1 | 56.7 | 10.6 | 93.1  | 53.3 | 11.2 | 88.3  | 51.5 | 12.1 |
|        | 75    | 63    | 88.3  | 67.5 | 9.4  | 85.7  | 67.1 | 10.1 | 77.7  | 63.4 | 10.7 | 73.6  | 61.4 | 11.6 |

### GS3BM-120 with B3BM-060K (Twin)

| O.D.T. |       |       | 85°F  |       |      | 95°F  |      |      | 105°F |      |      | 115°F |      |      |
|--------|-------|-------|-------|-------|------|-------|------|------|-------|------|------|-------|------|------|
| CFM    | E.D.B | E.W.B | T.C.  | S.C.  | K.W. | T.C.  | S.C. | K.W. | T.C.  | S.C. | K.W. | T.C.  | S.C. | K.W. |
| 3000   | 80    | 62    | 102.6 | 85.8  | 11.0 | 99.4  | 84.4 | 11.9 | 88.3  | 78.7 | 12.8 | 84.2  | 76.5 | 14.0 |
|        | 80    | 67    | 113.1 | 75.2  | 11.3 | 110.1 | 73.7 | 12.3 | 97.8  | 68.2 | 13.1 | 93.2  | 66.1 | 14.4 |
|        | 80    | 72    | 125.5 | 63.3  | 11.8 | 121.5 | 61.6 | 12.8 | 108.1 | 56.2 | 13.6 | 103.2 | 54.2 | 14.8 |
|        | 75    | 63    | 104.8 | 72.7  | 11.1 | 101.8 | 71.2 | 12.0 | 90.3  | 65.6 | 12.8 | 86.0  | 63.6 | 14.0 |
| 3500   | 80    | 62    | 107.0 | 93.8  | 11.3 | 103.6 | 92.6 | 12.3 | 91.9  | 86.4 | 13.1 | 87.5  | 83.8 | 14.3 |
|        | 80    | 67    | 117.5 | 81.6  | 11.7 | 114.0 | 80.2 | 12.7 | 100.9 | 73.8 | 13.5 | 95.9  | 71.6 | 14.7 |
|        | 80    | 72    | 129.7 | 67.5  | 12.2 | 125.8 | 65.8 | 13.2 | 111.4 | 60.2 | 13.9 | 106.2 | 58.2 | 15.2 |
|        | 75    | 63    | 108.9 | 78.8  | 11.4 | 105.7 | 77.4 | 12.4 | 93.1  | 70.8 | 13.1 | 88.5  | 68.7 | 14.4 |
| 4000   | 80    | 62    | 110.7 | 101.3 | 11.7 | 106.9 | 99.9 | 12.6 | 94.9  | 92.6 | 13.4 | 89.4  | 89.3 | 14.7 |
|        | 80    | 67    | 120.6 | 86.6  | 12.0 | 117.4 | 85.5 | 13.0 | 103.3 | 79.4 | 13.8 | 98.0  | 77.2 | 15.0 |
|        | 80    | 72    | 132.6 | 71.3  | 12.5 | 128.8 | 69.7 | 13.5 | 113.7 | 64.0 | 14.3 | 108.3 | 61.9 | 15.5 |
|        | 75    | 63    | 111.9 | 83.4  | 11.7 | 108.4 | 82.1 | 12.7 | 95.4  | 76.1 | 13.4 | 90.5  | 73.8 | 14.7 |

# EXPANDED RATINGS WITH B3SM

## GB3SM-090\* with B3SM-090\* Air Handler

| O.D.T |        |        | 65°F  |      |       | 75°F  |      |       | 85°F  |      |       | 95°F |       |       | 105°F |       |       | 115°F |       |       |
|-------|--------|--------|-------|------|-------|-------|------|-------|-------|------|-------|------|-------|-------|-------|-------|-------|-------|-------|-------|
| CFM   | E.D.B. | E.W.B. | T.C.  | S.C. | K.W.  | T.C.  | S.C. | K.W.  | T.C.  | S.C. | K.W.  | T.C. | S.C.  | K.W.  | T.C.  | S.C.  | K.W.  | T.C.  | S.C.  | K.W.  |
| 2500  | 75     | 62     | 89.7  | 60.8 | 7.15  | 87.1  | 59.7 | 7.74  | 84.1  | 58.4 | 8.42  | 80.8 | 57.0  | 9.22  | 77.4  | 54.6  | 10.10 | 73.2  | 52.9  | 11.13 |
|       | 75     | 67     | 97.4  | 48.4 | 7.30  | 94.6  | 47.4 | 7.88  | 91.5  | 46.2 | 8.57  | 87.9 | 44.9  | 9.37  | 83.9  | 43.4  | 10.25 | 79.5  | 41.8  | 11.26 |
|       | 75     | 72     | 107.0 | 35.5 | 7.47  | 103.9 | 34.5 | 8.07  | 100.5 | 33.4 | 8.76  | 96.6 | 32.1  | 9.56  | 92.2  | 30.8  | 10.45 | 87.5  | 29.3  | 11.44 |
|       | 80     | 62     | 90.4  | 70.7 | 7.16  | 87.7  | 69.4 | 7.74  | 84.7  | 68.1 | 8.43  | 81.4 | 66.6  | 9.22  | 77.7  | 64.9  | 10.10 | 73.7  | 63.0  | 11.13 |
|       | 80     | 67     | 97.6  | 59.7 | 7.29  | 94.9  | 58.7 | 7.88  | 91.7  | 57.5 | 8.57  | 88.1 | 56.1  | 9.36  | 84.1  | 54.6  | 10.24 | 79.7  | 53.0  | 11.25 |
|       | 80     | 72     | 105.8 | 47.2 | 7.44  | 102.7 | 46.2 | 8.03  | 99.3  | 45.1 | 8.73  | 95.5 | 43.8  | 9.52  | 91.2  | 42.4  | 10.42 | 86.5  | 40.9  | 11.41 |
|       | 85     | 62     | 91.2  | 80.3 | 7.16  | 88.6  | 78.9 | 7.75  | 85.8  | 77.2 | 8.44  | 81.9 | 74.2  | 9.23  | 78.8  | 72.5  | 10.12 | 75.4  | 70.1  | 11.15 |
|       | 85     | 67     | 98.1  | 69.8 | 7.29  | 95.3  | 68.7 | 7.88  | 92.2  | 67.4 | 8.57  | 88.6 | 66.0  | 9.36  | 84.6  | 64.5  | 10.24 | 80.2  | 62.7  | 11.26 |
| 85    | 72     | 105.9  | 58.5  | 7.43 | 102.9 | 57.4  | 8.03 | 99.5  | 56.3  | 8.73 | 95.7  | 55.0 | 9.52  | 91.5  | 53.6  | 10.42 | 86.8  | 52.0  | 11.41 |       |
| 3000  | 75     | 62     | 92.7  | 64.8 | 7.41  | 89.9  | 63.7 | 7.99  | 86.8  | 62.4 | 8.67  | 83.2 | 60.9  | 9.46  | 79.2  | 59.3  | 10.35 | 74.9  | 57.4  | 11.36 |
|       | 75     | 67     | 100.0 | 51.7 | 7.54  | 97.0  | 50.6 | 8.13  | 93.7  | 49.4 | 8.82  | 89.9 | 48.0  | 9.61  | 85.6  | 46.5  | 10.50 | 81.0  | 44.9  | 11.49 |
|       | 75     | 72     | 109.5 | 36.6 | 7.71  | 106.3 | 35.7 | 8.31  | 102.7 | 34.5 | 9.01  | 98.6 | 33.3  | 9.80  | 94.0  | 32.0  | 10.69 | 89.0  | 30.5  | 11.66 |
|       | 80     | 62     | 93.2  | 76.9 | 7.40  | 90.4  | 75.6 | 7.99  | 87.3  | 74.1 | 8.67  | 83.9 | 72.4  | 9.47  | 80.1  | 70.4  | 10.36 | 76.0  | 68.0  | 11.37 |
|       | 80     | 67     | 100.1 | 65.0 | 7.53  | 97.2  | 63.9 | 8.12  | 93.9  | 62.6 | 8.81  | 90.1 | 61.3  | 9.60  | 86.4  | 58.5  | 10.51 | 81.7  | 56.9  | 11.48 |
|       | 80     | 72     | 108.5 | 50.4 | 7.68  | 105.3 | 49.3 | 8.28  | 101.6 | 48.2 | 8.97  | 97.6 | 46.9  | 9.77  | 93.1  | 45.5  | 10.66 | 88.1  | 43.9  | 11.63 |
|       | 85     | 62     | 93.8  | 87.1 | 7.40  | 91.5  | 86.0 | 8.00  | 88.9  | 84.4 | 8.70  | 86.0 | 82.5  | 9.50  | 82.7  | 80.2  | 10.40 | 79.1  | 77.5  | 11.43 |
|       | 85     | 67     | 101.1 | 76.3 | 7.54  | 98.1  | 75.1 | 8.13  | 94.7  | 73.8 | 8.82  | 91.0 | 72.3  | 9.61  | 86.8  | 70.6  | 10.51 | 82.3  | 68.7  | 11.48 |
| 85    | 72     | 108.6  | 63.7  | 7.68 | 105.5 | 62.6  | 8.27 | 102.0 | 61.4  | 8.97 | 98.0  | 60.1 | 9.76  | 93.4  | 58.7  | 10.66 | 88.5  | 57.1  | 11.63 |       |
| 3500  | 75     | 62     | 94.6  | 69.3 | 7.63  | 91.7  | 68.1 | 8.22  | 88.4  | 66.8 | 8.90  | 84.7 | 65.2  | 9.69  | 80.6  | 63.5  | 10.58 | 76.1  | 61.5  | 11.59 |
|       | 75     | 67     | 101.7 | 54.7 | 7.77  | 98.7  | 53.6 | 8.36  | 95.2  | 52.4 | 9.05  | 91.2 | 51.0  | 9.84  | 86.9  | 49.5  | 10.73 | 82.1  | 47.8  | 11.70 |
|       | 75     | 72     | 111.1 | 37.8 | 7.94  | 107.8 | 36.8 | 8.53  | 104.1 | 35.6 | 9.23  | 99.8 | 34.4  | 10.03 | 95.1  | 33.1  | 10.91 | 89.9  | 31.6  | 11.90 |
|       | 80     | 62     | 95.5  | 82.2 | 7.64  | 92.7  | 80.7 | 8.23  | 89.5  | 78.9 | 8.91  | 84.6 | 78.2  | 9.70  | 81.1  | 75.3  | 10.58 | 77.3  | 71.9  | 11.61 |
|       | 80     | 67     | 102.8 | 68.4 | 7.77  | 99.7  | 67.3 | 8.36  | 96.1  | 66.0 | 9.05  | 92.1 | 64.6  | 9.84  | 87.8  | 63.0  | 10.74 | 83.0  | 61.2  | 11.71 |
|       | 80     | 72     | 110.3 | 53.4 | 7.91  | 107.0 | 52.3 | 8.50  | 103.2 | 51.2 | 9.20  | 99.0 | 49.9  | 9.99  | 94.4  | 48.4  | 10.89 | 89.3  | 46.9  | 11.87 |
|       | 85     | 62     | 97.6  | 95.6 | 7.66  | 95.1  | 94.2 | 8.26  | 92.4  | 92.4 | 8.96  | 89.3 | 89.3  | 9.77  | 85.8  | 85.8  | 10.68 | 81.9  | 81.9  | 11.67 |
|       | 85     | 67     | 103.3 | 82.2 | 7.77  | 100.2 | 81.0 | 8.36  | 96.7  | 79.5 | 9.05  | 92.8 | 77.8  | 9.85  | 88.6  | 75.9  | 10.74 | 84.0  | 73.5  | 11.73 |
| 85    | 72     | 110.6  | 68.7  | 7.91 | 107.3 | 67.6  | 8.50 | 103.6 | 66.4  | 9.20 | 100.0 | 63.5 | 10.01 | 95.3  | 62.1  | 10.90 | 90.2  | 60.5  | 11.88 |       |

## GB3SM-120\* with B3SM-120\* Air Handler

| O.D.T |        |        | 65°F  |       |       | 75°F  |       |       | 85°F  |       |       | 95°F  |       |       | 105°F |       |       | 115°F |       |       |
|-------|--------|--------|-------|-------|-------|-------|-------|-------|-------|-------|-------|-------|-------|-------|-------|-------|-------|-------|-------|-------|
| CFM   | E.D.B. | E.W.B. | T.C.  | S.C.  | K.W.  | T.C.  | S.C.  | K.W.  | T.C.  | S.C.  | K.W.  | T.C.  | S.C.  | K.W.  | T.C.  | S.C.  | K.W.  | T.C.  | S.C.  | K.W.  |
| 3500  | 75     | 62     | 116.9 | 78.2  | 9.82  | 113.4 | 76.7  | 10.64 | 109.5 | 75.0  | 11.59 | 105.2 | 73.1  | 12.66 | 100.5 | 71.0  | 13.89 | 95.6  | 68.8  | 15.25 |
|       | 75     | 67     | 126.5 | 62.6  | 10.06 | 122.7 | 61.2  | 10.88 | 118.5 | 59.5  | 11.84 | 113.8 | 57.7  | 12.91 | 108.6 | 55.8  | 14.19 | 103.1 | 53.7  | 15.54 |
|       | 75     | 72     | 139.7 | 46.4  | 10.39 | 135.5 | 45.0  | 11.22 | 130.8 | 43.5  | 12.19 | 125.6 | 41.9  | 13.29 | 119.9 | 40.1  | 14.55 | 113.7 | 38.3  | 15.98 |
|       | 80     | 62     | 118.3 | 90.1  | 9.85  | 114.8 | 88.5  | 10.67 | 110.9 | 86.7  | 11.61 | 106.5 | 84.7  | 12.68 | 101.7 | 82.4  | 13.94 | 96.7  | 80.0  | 15.28 |
|       | 80     | 67     | 125.4 | 76.2  | 9.83  | 121.8 | 74.8  | 10.63 | 117.6 | 73.1  | 11.55 | 113.0 | 71.3  | 12.61 | 107.9 | 69.4  | 13.83 | 102.6 | 67.3  | 15.16 |
|       | 80     | 72     | 137.1 | 61.1  | 10.31 | 132.9 | 59.6  | 11.14 | 128.4 | 58.1  | 12.10 | 123.3 | 56.3  | 13.21 | 117.8 | 54.5  | 14.47 | 111.8 | 52.4  | 15.89 |
|       | 85     | 62     | 119.2 | 102.2 | 9.86  | 115.7 | 100.3 | 10.68 | 111.9 | 98.1  | 11.63 | 107.7 | 93.3  | 12.71 | 101.6 | 92.9  | 13.93 | 97.3  | 90.5  | 15.29 |
|       | 85     | 67     | 127.3 | 91.0  | 10.05 | 123.6 | 89.5  | 10.88 | 119.4 | 87.9  | 11.84 | 115.7 | 83.8  | 12.96 | 110.5 | 81.8  | 14.22 | 105.0 | 79.5  | 15.59 |
| 85    | 72     | 137.6  | 75.2  | 10.31 | 133.6 | 73.8  | 11.15 | 129.0 | 72.2  | 12.11 | 124.0 | 70.4  | 13.22 | 118.4 | 68.4  | 14.48 | 112.5 | 66.4  | 15.90 |       |
| 4000  | 75     | 62     | 119.2 | 82.8  | 10.08 | 115.6 | 81.2  | 10.90 | 111.6 | 79.4  | 11.84 | 107.2 | 77.5  | 12.93 | 102.2 | 75.4  | 14.18 | 97.9  | 70.9  | 15.55 |
|       | 75     | 67     | 128.9 | 65.3  | 10.32 | 124.9 | 63.8  | 11.14 | 120.4 | 62.2  | 12.09 | 115.7 | 60.3  | 13.19 | 110.3 | 58.3  | 14.44 | 104.6 | 56.2  | 15.82 |
|       | 75     | 72     | 142.0 | 47.4  | 10.64 | 137.6 | 46.0  | 11.48 | 132.7 | 44.6  | 12.44 | 127.3 | 42.9  | 13.55 | 121.2 | 41.1  | 14.82 | 114.8 | 39.3  | 16.23 |
|       | 80     | 62     | 121.1 | 95.4  | 10.11 | 117.4 | 93.7  | 10.93 | 113.2 | 91.7  | 11.87 | 108.7 | 89.6  | 12.96 | 103.7 | 87.1  | 14.21 | 98.5  | 84.3  | 15.56 |
|       | 80     | 67     | 127.8 | 80.7  | 10.08 | 124.1 | 79.2  | 10.89 | 119.7 | 77.5  | 11.81 | 114.9 | 75.7  | 12.87 | 109.6 | 73.6  | 14.07 | 104.1 | 71.5  | 15.42 |
|       | 80     | 72     | 139.4 | 63.7  | 10.57 | 135.3 | 62.2  | 11.40 | 130.6 | 60.6  | 12.36 | 125.4 | 58.9  | 13.47 | 119.4 | 57.0  | 14.72 | 113.2 | 54.9  | 16.15 |
|       | 85     | 62     | 122.5 | 107.4 | 10.13 | 118.7 | 105.5 | 10.92 | 112.9 | 106.7 | 11.85 | 109.1 | 104.7 | 12.96 | 104.9 | 101.8 | 14.23 | 100.5 | 98.5  | 15.62 |
|       | 85     | 67     | 131.4 | 94.5  | 10.35 | 127.4 | 92.9  | 11.18 | 122.9 | 91.1  | 12.13 | 117.9 | 89.1  | 13.23 | 112.5 | 86.9  | 14.47 | 106.8 | 84.5  | 15.87 |
| 85    | 72     | 140.2  | 79.7  | 10.57 | 136.0 | 78.2  | 11.41 | 131.2 | 76.5  | 12.37 | 126.0 | 74.7  | 13.48 | 120.2 | 72.7  | 14.73 | 114.1 | 70.6  | 16.18 |       |
| 4500  | 75     | 62     | 121.0 | 87.1  | 10.32 | 117.3 | 85.5  | 11.14 | 113.2 | 83.7  | 12.09 | 109.7 | 78.9  | 13.20 | 104.5 | 76.8  | 14.45 | 98.9  | 74.4  | 15.80 |
|       | 75     | 67     | 130.7 | 67.9  | 10.56 | 126.7 | 66.4  | 11.39 | 122.1 | 64.7  | 12.34 | 117.1 | 62.8  | 13.43 | 111.5 | 60.7  | 14.68 | 105.6 | 58.6  | 16.07 |
|       | 75     | 72     | 143.6 | 48.4  | 10.88 | 139.1 | 47.0  | 11.73 | 134.0 | 45.5  | 12.68 | 128.3 | 43.9  | 13.79 | 122.0 | 42.1  | 15.05 | 115.1 | 40.2  | 16.47 |
|       | 80     | 62     | 123.3 | 100.1 | 10.36 | 119.5 | 98.3  | 11.18 | 115.2 | 96.1  | 12.13 | 110.6 | 93.7  | 13.20 | 105.5 | 90.8  | 14.45 | 98.3  | 90.3  | 15.82 |
|       | 80     | 67     | 129.8 | 85.0  | 10.33 | 125.6 | 83.5  | 11.13 | 121.2 | 81.7  | 12.05 | 116.3 | 79.8  | 13.11 | 110.8 | 77.7  | 14.32 | 106.1 | 73.0  | 15.72 |
|       | 80     | 72     | 141.5 | 66.2  | 10.81 | 137.1 | 64.7  | 11.65 | 132.2 | 63.1  | 12.61 | 126.7 | 61.3  | 13.72 | 120.7 | 59.4  | 14.99 | 114.4 | 57.3  | 16.41 |
|       | 85     | 62     | 122.7 | 119.9 | 10.33 | 119.6 | 118.4 | 11.17 | 116.0 | 116.0 | 12.13 | 112.1 | 112.1 | 13.23 | 107.7 | 107.7 | 14.54 | 103.1 | 103.1 | 15.93 |
|       | 85     | 67     | 133.6 | 99.6  | 10.60 | 129.4 | 97.9  | 11.43 | 124.8 | 96.0  | 12.38 | 119.7 | 93.9  | 13.48 | 114.1 | 91.5  | 14.74 | 108.2 | 88.8  | 16.15 |
| 85    | 72     | 142.1  | 83.9  | 10.81 | 137.8 | 82.4  | 11.65 | 132.9 | 80.7  | 12.62 | 127.5 | 78.8  | 13.73 | 121.6 | 76.8  | 15.00 | 115.2 | 74.6  | 16.43 |       |





CERTIFICATION APPLIES ONLY  
WHEN THE COMPLETE  
SYSTEM IS LISTED  
WITH ARI

