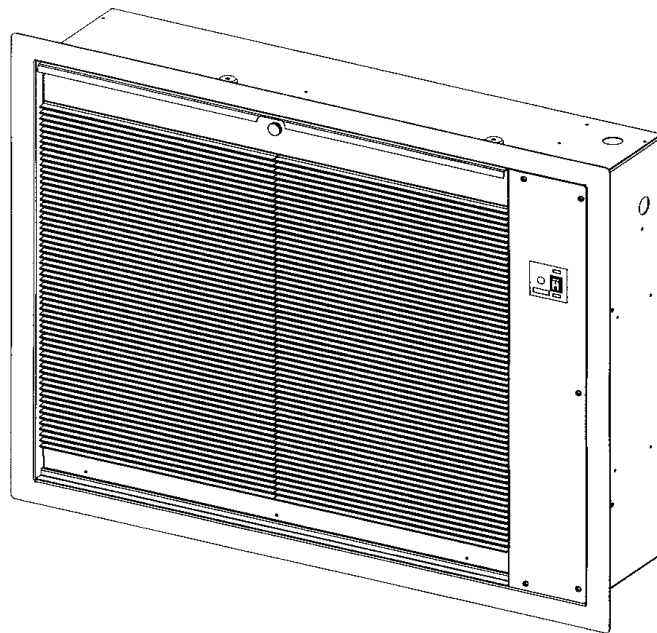

TECHNICAL SPECIFICATIONS

High Efficiency Return Grille Mount Electronic Air Cleaner

The NORDYNE High Efficiency Grille Mount Electronic Air Cleaner is designed to remove atmospheric and household dust, coal dust, insecticide dust, mites, pollen, mold spores, fungi, bacteria, pet dander, cooking smoke and grease, tobacco smoke particles and more down to 0.01 micron. Easily installs on the wall or ceiling in a ceiling box within trusses on 24 inch centers, without any structural changes. Lifetime filter system simply washes clean. Standard five year limited warranty.

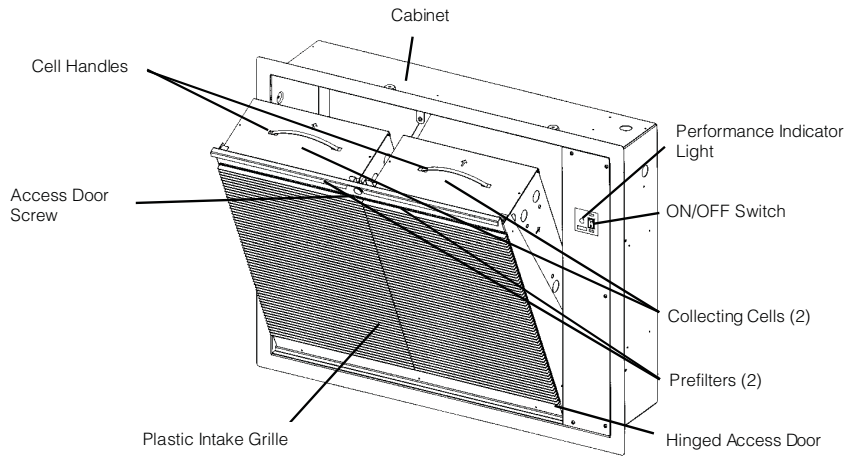


STANDARD FEATURES

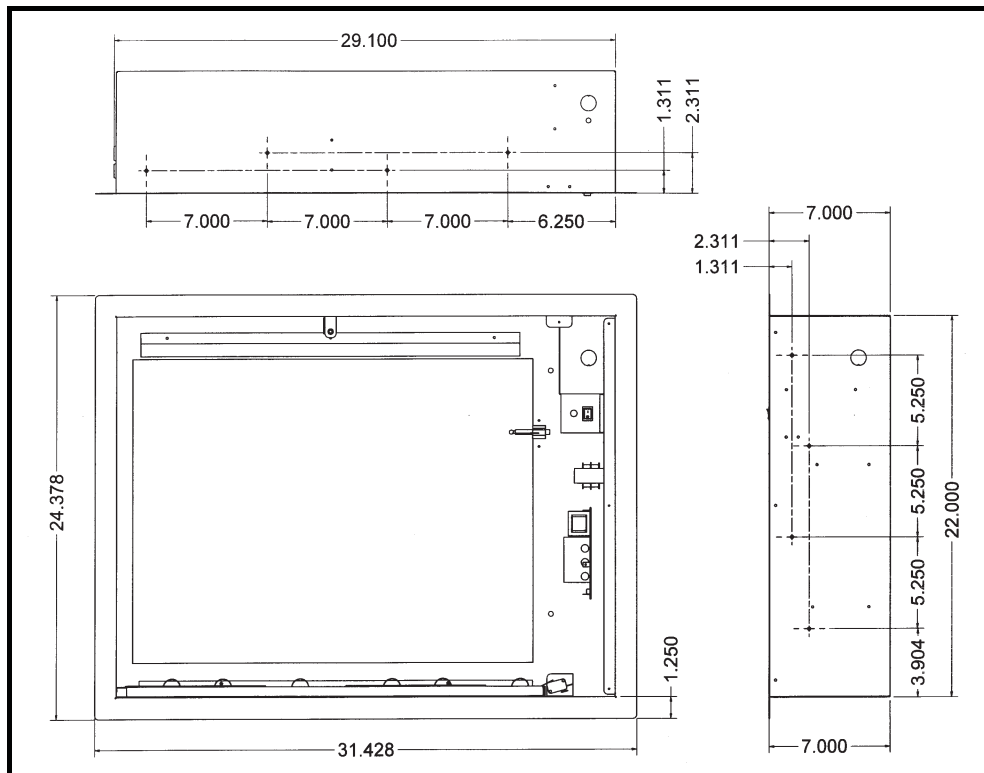
- Prefilters (2) are constructed of aluminum mesh, to prevent lint and large particles from entering the collecting cells.
- Collecting Cells (2) are constructed of heavy gauge aluminum for durability and ease of maintenance.
- Plastic intake Grille is easy to wipe clean.
- Hinged, Swing Out Door allows easy access to filters.
- Automatic interlock switch disconnects power when unit is opened.
- Electronic Air Proving Switch (AS) allows for quick wiring. Automatically cycles Air Cleaner on/off with the system fan.
- Performance Indicator Light (Green LED) indicates high voltage to the collecting cells, ensuring air cleaner is operating properly at a glance.
- Solid state power board, equipped with a variable resistor (potentiometer) to adjust high voltage output (if necessary).
- Durable powder coat paint finish on heavy gauge steel resists abrasion.
- System warranty if sold with a matched NORDYNE system.

SPECIFICATIONS

MODEL	N-GM20AS
House Size	n/a
Air Flow	up to 2000 cfm up to 3398 m ³ /hr
Duct Size	22 x 29.1 in 55.9 x 73.9 cm
Cabinet Dimensions	31.4 x 24.4 x 7 in 79.8 x 62 x 17.8 cm
Weight	38 lbs 17.5 kg
Power	120 v 60 hz 30 watts



DIMENSIONS



ACCESSORIES

Part Number	Description	Case Quantity
918419	DAX Detergent, 32 oz. Spray Bottle	6