

INSTALLATION INSTRUCTIONS

INSTALLATION INSTRUCTIONS MODEL 555631 HORIZONTAL ROOF CURB USED WITH R4G* 150/180 UNITS

FORM# 774B-1004

This Roof Curb is NRCA approved and is constructed of 16 gauge galvanized steel with a full perimeter 2" x 4" wood nailer strip. The curb is designed to be used with the Cooling, Gas Electric, and Heat Pump Models. The curb is shipped with the following parts, See Figure 2:

- 2 ea. Curb Short Sides - 70 $\frac{7}{16}$ " Long (A)
- 1 ea. Curb Long Sides - 77 $\frac{3}{8}$ " Long (B)
- 1 ea. Curb Long Side w/ Duct Opening - 77 $\frac{3}{8}$ " Long (C)
- 1 ea. Condensor Pans - 74 x 13 $\frac{5}{16}$ " (D)
- 2 ea. Condensor Pans - 74 x 16 $\frac{3}{8}$ " (E)
- 1 ea. Hardware Package Includes:
 - 4 ea. "Hinge" Pins $\frac{3}{16}$ "
 - 18 ea. Hex Washers screws #10 x $\frac{1}{2}$ "
- 2 ea. Gasket $\frac{3}{4}$ " x 1 $\frac{1}{4}$ " x 14' (28 ft. total)

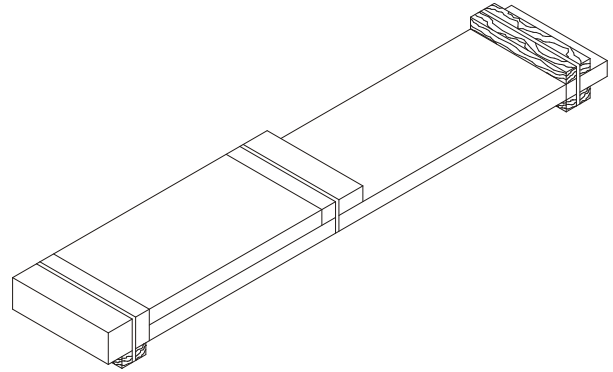


Figure 1

Step 1:

Curb Package is shown as shipped with easy to identify part numbers on all sides. Cut shipping bands and remove all parts to verify parts to above list.

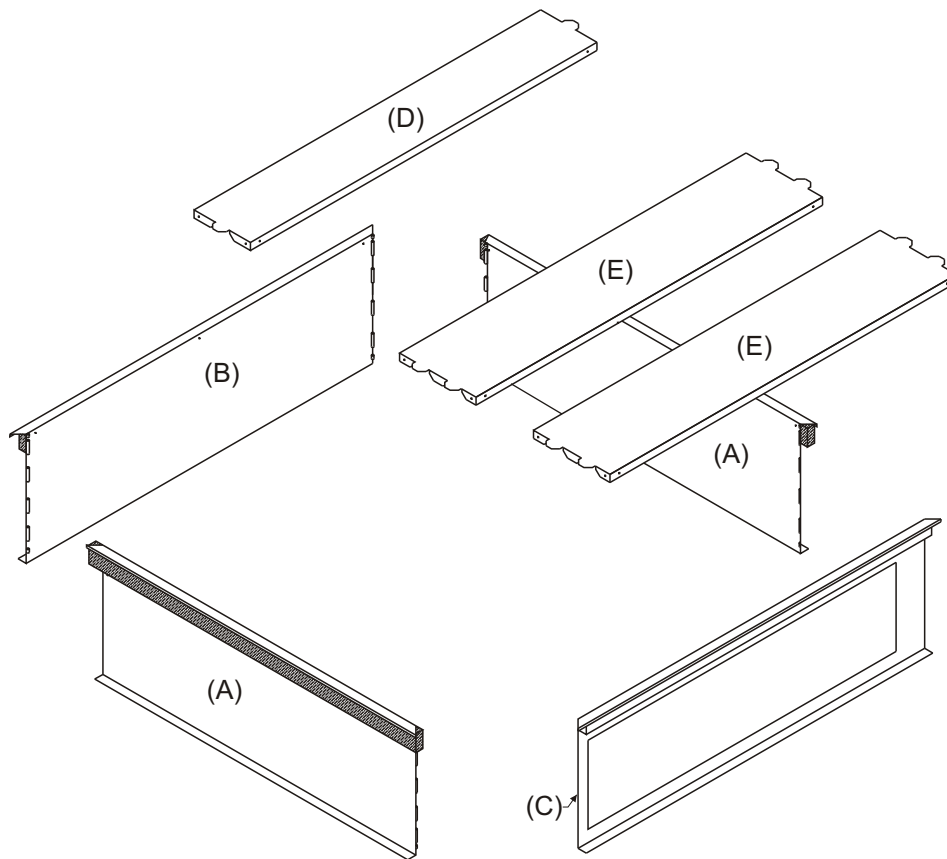


Figure 2

Step 2:

Layout the curb pieces before assembly to insure that all the necessary pieces are included.

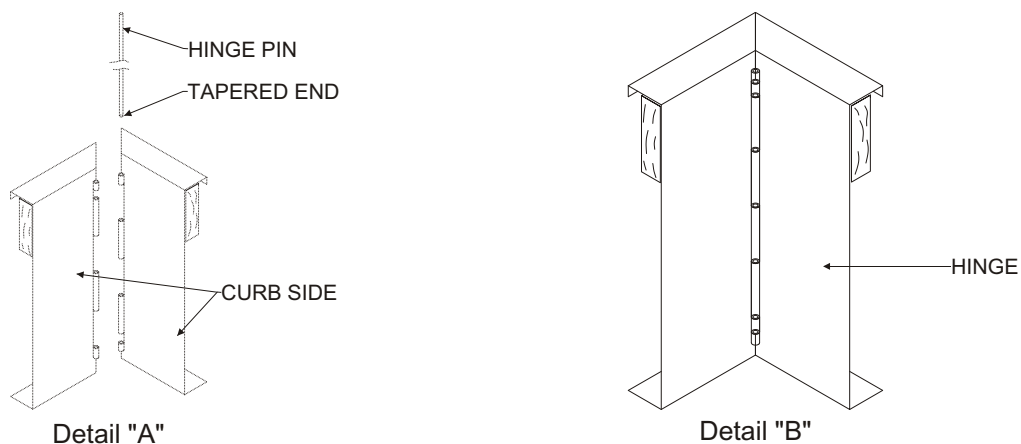
U.S. PATENT 5148647

INSTALLATION INSTRUCTIONS

INSTALLATION INSTRUCTIONS MODEL 555631 HORIZONTAL ROOF CURB USED WITH R4G* 150/180 UNITS

Step 3:

Corner Assembly: Align each curb side as shown in Detail "A". Using a hammer, drive the curb "hinge" pin down until the top of the pin is below the top of the curb as shown in Detail "B".



Step 4:

After the four corners are assembled; the curb should be checked to be sure it is in "square". Do this by measuring diagonally from each opposite corner. The two measurements should be the same for each direction. See Figure 3.

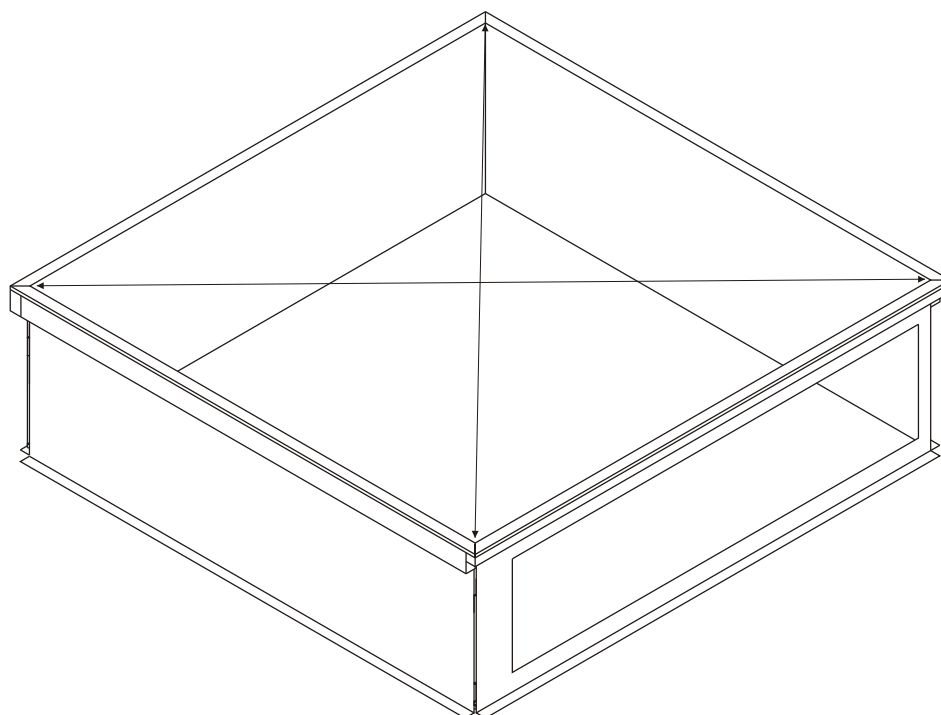


Figure 3

INSTALLATION INSTRUCTIONS

INSTALLATION INSTRUCTIONS MODEL 555631 HORIZONTAL ROOF CURB USED WITH R4G* 150/180 UNITS

Step 5:

Install the condenser pan (D) as shown in Figure 4.

Step 6:

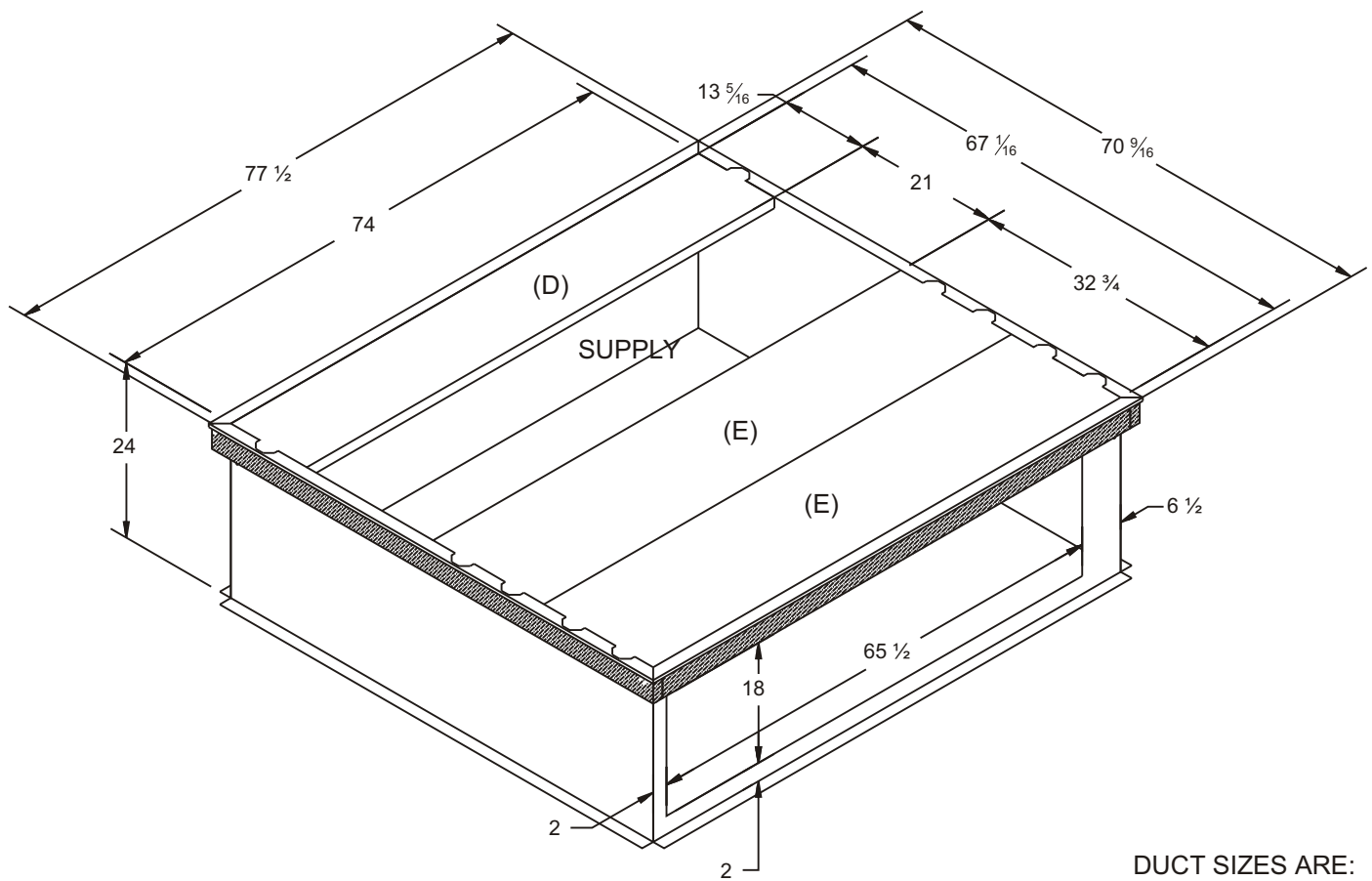
Install the condenser pans (E) as shown Figure 4.

Step 7:

If the curb is being assembled and moved to another location, attach the condenser pans.

Step 8:

Place the $\frac{3}{4}$ " x $1\frac{1}{4}$ " gasket on all of the top edges of the roof curb, including the condenser pans.



DUCT SIZES ARE:
Supply 66 X $18\frac{1}{2}$

Figure 4

INSTALLATION INSTRUCTIONS

INSTALLATION INSTRUCTIONS
MODEL 555631
HORIZONTAL ROOF CURB USED WITH R4G* 150/180 UNITS

ROOFING INSTRUCTIONS

