

---

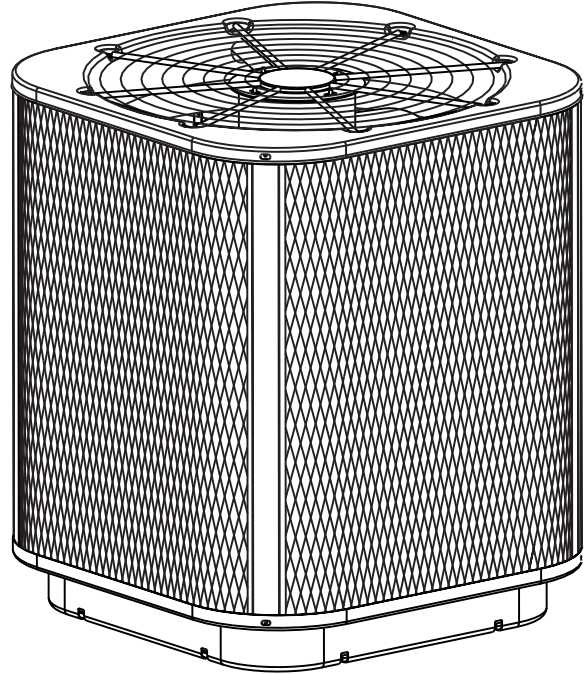
## TECHNICAL SPECIFICATIONS

---



### GS3BA Series High Efficiency Air Conditioner 10 SEER 1-1/2 – 5 Ton Capacity

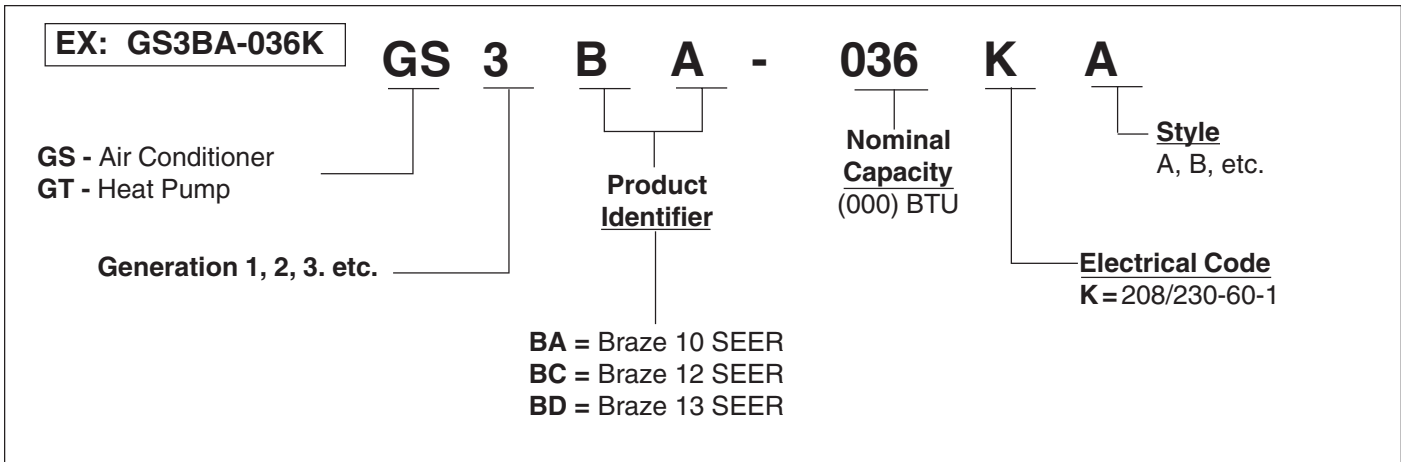
The GS3BA Series of air conditioners offers exceptional performance from a small, compact package. The unit, when combined with our engineered coils or air handlers, offers a full line of quality, split system cooling equipment. Units are ideally sized for slab or rooftop mounting in single, multifamily, and light commercial applications.



### FEATURES and BENEFITS

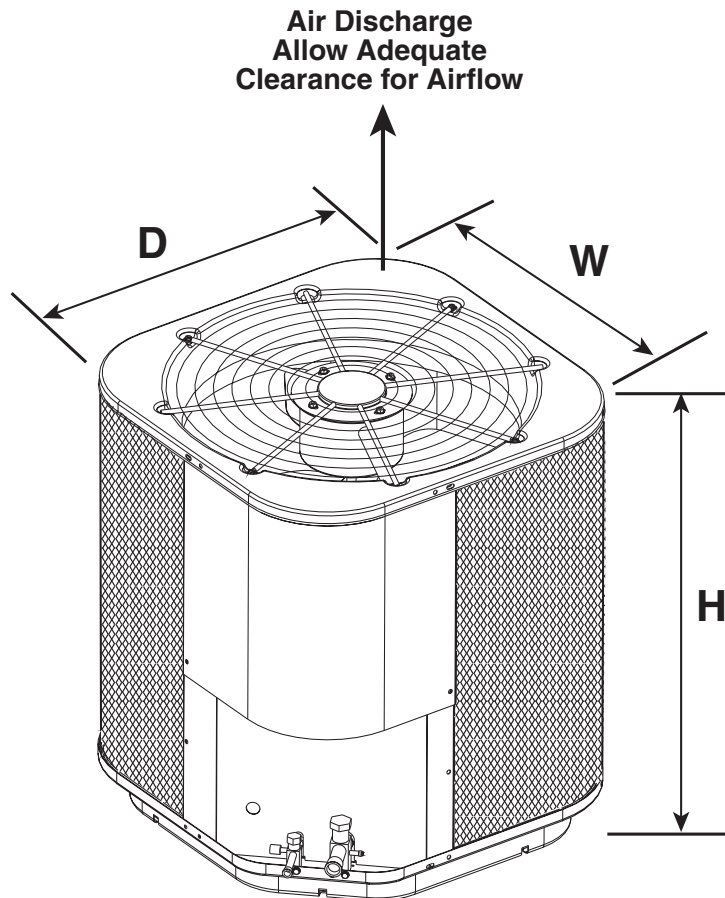
- **Designed using galvanized steel** – with a polyester urethane coat finish. The 950 hour salt spray finish resists corrosion 50% better than comparable units.
- **Copper Tube / Aluminum Fin Coils** – Both indoor and outdoor coils are designed to optimize heat transfer, minimize size and cost, and increase durability and reliability.
- **Permanently Lubricated Motor** – A heavy duty PSC motor for long lasting reliability and quiet operation. Requires no maintenance and is completely protected from rain and snow.
- **Full Service Valves** – These brass valves are easily accessible and simplify servicing of the refrigeration system.
- **Plastic Mesh Hail Guard** – A guard that will never rust and protects the units coil from being damaged.
- **Removable Top Grille Assembly** – Allows ease of service from the top without disconnecting fan motor leads.
- **One Piece Top/Orifice** – Designed for maximum airflow and quiet operation.
- **2-1/2" Pedestal Base** – The sturdy base keeps the bottom of the coil out of harms way. Secondly, the base has weep holes along the edge to allow the water from rain to flow away from the unit.
- **Easy Compressor and Control Access** – Designed to make servicing easier for the contractor, access panels are provided to all controls and the compressor from the side of the unit.
- **Warranty** – Five year limited parts and compressor.

## MODEL IDENTIFICATION CODES



## DIMENSIONS OUTDOOR SECTION

GS3BA-	18KA	024KA	030KA	036KA	042KA	048KA	060KB
H	22-1/2	22-1/2	22-1/2	22-1/2	30-1/2	34-1/2	30-1/2
W	22-1/2	22-1/2	22-1/2	22-1/2	22-1/2	22-1/2	30-1/2
D	22-1/2	22-1/2	22-1/2	22-1/2	22-1/2	22-1/2	30-1/2



# PHYSICAL AND ELECTRICAL SPECIFICATIONS / OUTDOOR UNITS

## 10 SEER — High Efficiency — Single Phase

Model No. GS3BA-		018KA	024KA	030KA	036KA	042KA	048KA	060KB	
Electrical	Volts-Cycles-Phase (1)	208/230-60-1	208/230-60-1	208/230-60-1	208/230-60-1	208/230-60-1	208/230-60-1	208/230-60-1	
Data	Total Amps	9.2	10.5	14.8	15.9	18.1	19.6	28.5	
	Delay Fuse Max. (2)	15	20	30	30	35	40	60	
	Min. Circuit Ampacity	11.4	12.9	18.2	19.7	22.4	24.2	35.3	
Component Data	Coil	Area	8.3	8.3	8.3	8.3	11.5	14.8	17.7
		Rows-FPI	1-14	1-14	1-18	1-22	1-20	1-18	1-22
		Tube Dia.	3/8 O.D.	3/8 O.D.	3/8 O.D.	3/8 O.D.	3/8 O.D.	3/8 O.D.	3/8 O.D.
	Fan	Type	PSC	PSC	PSC	PSC	PSC	PSC	PSC
		Amps	0.67	0.67	1.13	1.13	1.13	1.4	1.5
		HP	1/10	1/10	1/8	1/8	1/8	1/4	1/4
	Fan Blade	Dia.-#Blades	18 in. - 3	18 in. - 3	18 in. - 3	18 in. - 3	18 in. - 3	18 in. - 4	24 in. - 3
		SCFM	2100	2100	2500	2500	2500	3000	4000
	Compressor Data*	RLA	8.6	9.8	13.7	14.8	17.0	21.8	27.0
		LRA	49	56	75	96	105	131	144
Refrigerant Suction Line-Length/O.D. (Liq. Line All Lengths - 3/8" O.D.)	0-24 ft.	5/8" (3)	5/8" (3)	3/4"	3/4"	3/4"	7/8"	7/8"	
	25-39 ft.	5/8" (3)	3/4"	3/4"	3/4"	7/8" (4)	7/8"	1-1/8" (5)	
	40-75 ft.	3/4"	3/4"	3/4"	7/8" (4)	7/8" (4)	7/8"	1-1/8" (5)	
Refrigerant Charge	(Outdoor unit, Indoor Unit 15' Line Set)	63	64	68	69	87	115	114	
R-22 Ounces									
Weight Approximate (lbs.)	Net	116	118	124	128	133	166	190	
	Ship	122	124	130	134	140	162	202	

COPPER WIRE SIZE — AWG (1% Voltage Drop)				
Supply Wire Length-Feet				Supply Circuit Ampacity
200	150	100	50	
6	8	10	14	15
4	6	8	12	20
4	6	8	10	25
4	4	6	10	30
3	4	6	8	35
3	4	6	8	40
2	3	4	6	45
2	3	4	6	50

Wire Size based on N.E.C. for 60° type copper conductors.

\* Values shown are most severe and may vary slightly depending on the make of the compressor supplied.

- (1) Operating Voltage Range: 198v min. — 253v max.
- (2) HACR Type Circuit Breakers or Time Delay Fuse
- (3) Requires 3/4" to 5/8" reducer from unit to line.
- (4) Requires 7/8" to 3/4" reducer from line to unit.
- (5) Requires 7/8" to 1-1/8" reducer from line to unit.

# SYSTEM HEATING & COOLING CAPACITIES

10 SEER — High Efficiency — Single Phase

Outdoor Unit	With This Coil				
Model Number GS3BA-	Coil C3BA-	Cooling Btuh	SEER	Nominal CFM	Required Orifice Size <sup>(1)</sup>
018KA	024C/U-A (2)	18,000	10	675	.051
024KA	024C/U-A (2)	22,800	10	900	.060
030KA	030C/U-B	28,600	10	1125	.063
030KA	036C/U-A (2)	29,000	10	1125	.063
036KA	036C/U-B (2)	34,600	10	1350	.067
036KA	036C/U-A (2)	34,000	10	1150	.067
042KA	042C/U-B (2)	40,000	10	1500	.075
048KA	048C/U-B (2)	46,000	10	1500	.080
048KA	048C/U-C	46,000	10	1500	.080
060KB	060C/U-C (2)	58,000	10	1800	.093

Outdoor Unit	With This Air Handler				
Model Number GS3BA-	Air Handler GB3B(M,V)-	Cooling Btuh	SEER	Nominal CFM	Required Orifice Size <sup>(1)</sup>
018KA	024K-A	18,000	10	675	.051
024KA	024K-A	23,000	10	900	.060
030KA	030K-A	28,600	10	1125	.063
030KA	030K-B	28,600	10	1125	.063
036KA	036K-B	34,600	10	1350	.067
042KA	042K-B	40,000	10	1500	.075
048KA	048K-B	46,000	10	1600	.080
060KB	060K-C	57,000	10	1700	.093

(1) Orifice supplied with indoor section.

(2) Also available as C3BH Horizontal Case Coil

See current ARI Directory for certified combinations and ratings.

## ACCESSORIES - Condensing Unit

### Start Assist Kit - 912933

Provides additional starting torque for the compressor motor when operating with low line voltage or high operating temperatures.



CERTIFICATION APPLIES  
ONLY WHEN THE  
COMPLETE SYSTEM  
IS LISTED WITH ARI

We Encourage  
Professionalism



Through Technician  
Certification by NATE

O'Fallon, MO

**NORDYNE**



774A-0105 (Replaces 774A-0803)

Before purchasing this appliance, read important energy cost and efficiency information available from your retailer. Specifications and illustrations subject to change without notice and without incurring obligations. Printed in U.S.A. (01/05)