

INSTALLATION INSTRUCTION

INSTALLATION INSTRUCTIONS FOR 555621 ECONOMIZER

654B-0504

Economizers are used with 12 ½ - 15 ton units for automatic sensor-controlled introduction of outdoor air into the system through an electro-mechanically controlled damper.

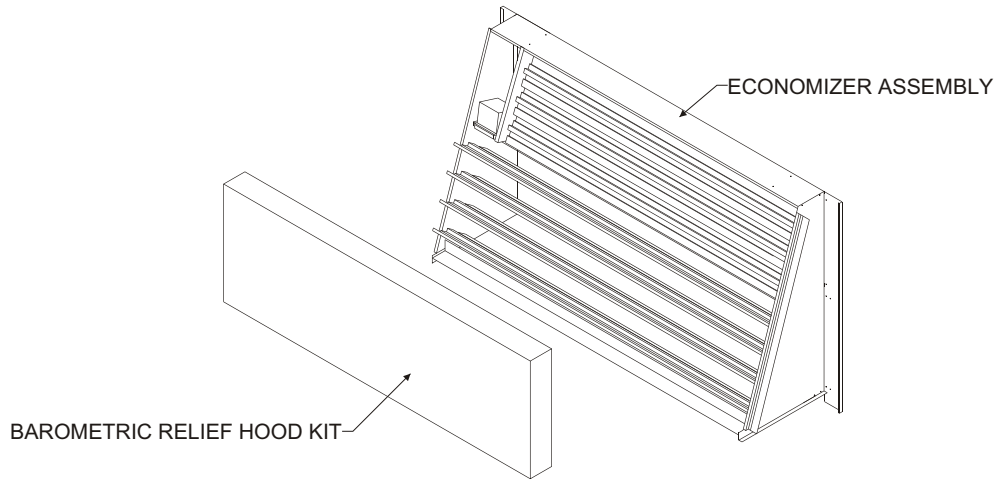


Figure 1

Step 1:

Check for correct number of parts. See list below.

- 1 - Economizer Assembly (Discharge Air Sensor Included)
- 1 - Barometric Relief Hood Kit
- 1 - Hardware Bag

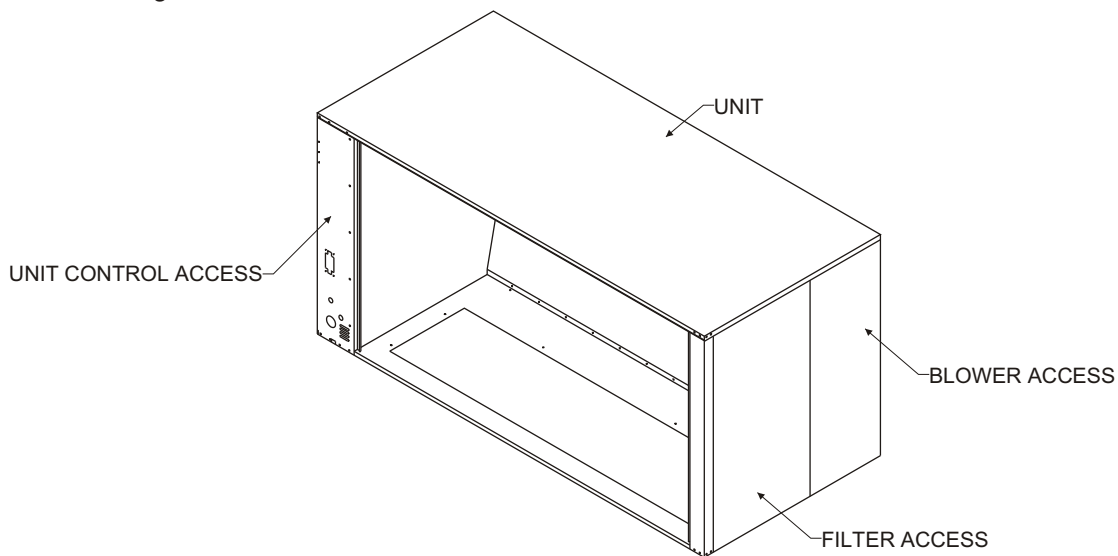


Figure 2

Step 2:

Disconnect all power to unit.

Step 3:

Remove the following parts shipped with the air conditioning unit:

- A - Fresh Air Panel (discard panel but retain screws)
- B - Return Air Panel (discard panel but retain screws)
- C - Economizer Access Panel (located behind filter access)
- D - Blower Access

INSTALLATION INSTRUCTION

INSTALLATION INSTRUCTIONS FOR 555621 ECONOMIZER

Step 4:

Set economizer partly in opening in unit.

Step 5:

Remove factory jumper plug. Route economizer wiring harness up to unit plug and firmly connect it to unit plug. Secure harness up out of the way of damper blades as shown in Figure 3.

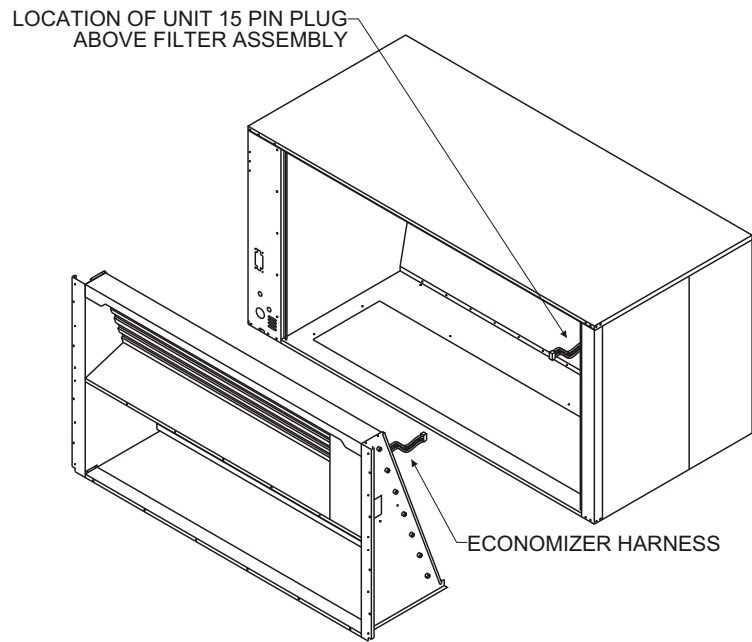


Figure 3

Step 6:

Take the economizer damper and slide into the opening. Damper must slide over bottom return duct opening as shown in Figure 4.

Step 7:

Once damper is set in place. Secure damper to unit with 1 ¼" watertight screws from Step 3.

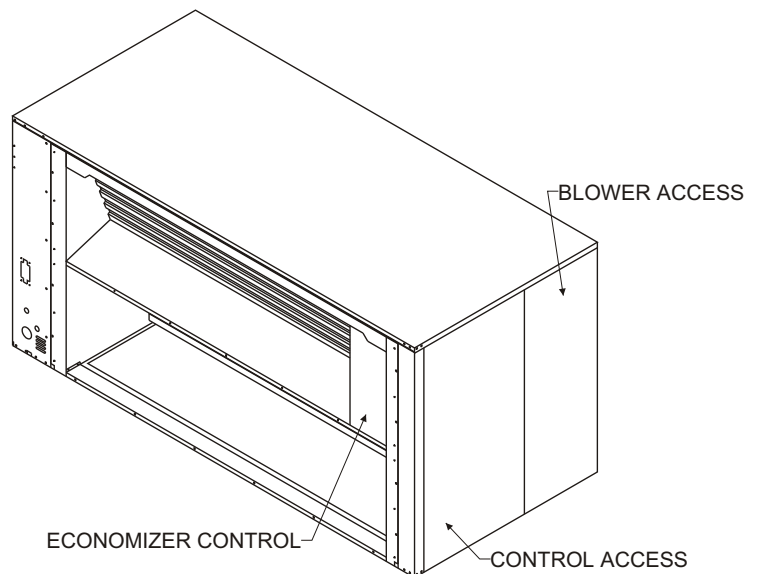


Figure 4

Step 8:

Install the discharge air sensor in the blower compartment. Mounting holes are located on blower discharge side panel. Connect two purple wires located below the mounting holes marked "mix air sensor". Replace blower access removed in Step 3.

INSTALLATION INSTRUCTION

INSTALLATION INSTRUCTIONS FOR 555621 ECONOMIZER

Step 9:

To assemble the Barometric Relief Hood the following will be needed.

39 ea. - Type A #10 - 16 x ½ Screws
15 ft. - ⅛ x ½ Gasket

Follow these steps:

- A. Take (1 and 2) put the flange of (1) to the inside of (2) and screw in place.
- B. Take (3) and screw in place like step A.
- C. Take (4) and place flanges over (2 and 3) and secure.
- D. Take (5) and slide inside of (2 and 3) and secure (blade opening into hood).
- E. Place gasket on flanges on (1,2, 3 and 4) that attach to the face of the economizer when installed.

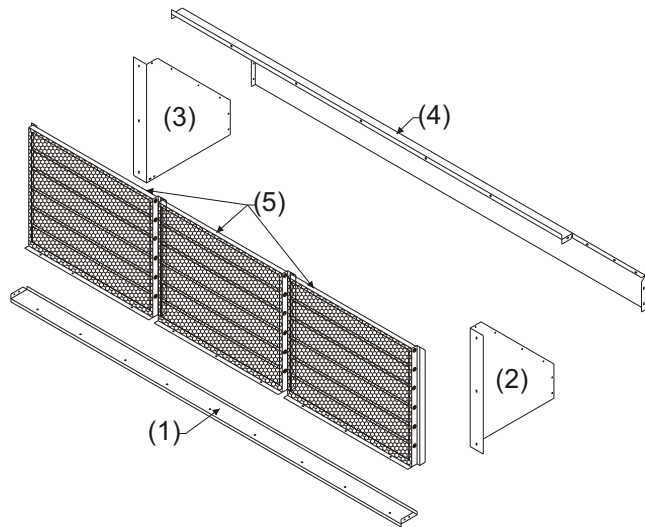


Figure 5

Step 10:

Install barometric relief hood over lower return opening using screws provided.

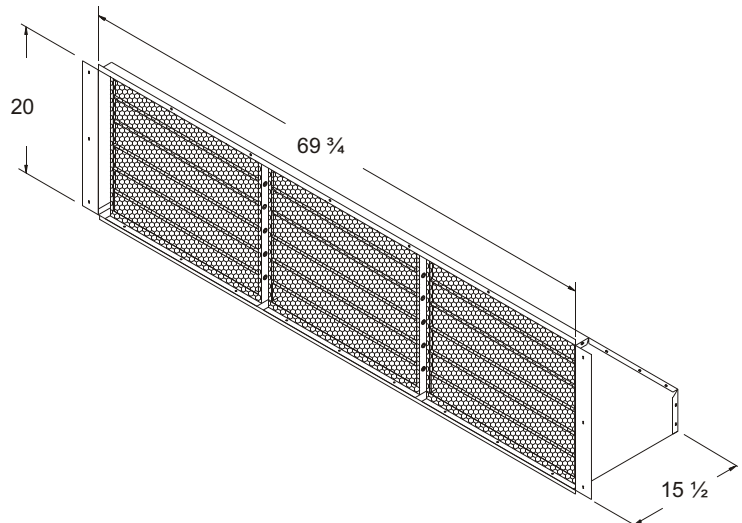


Figure 6

Step 12:

Replace all access panels and restore power to the unit.

Step 13:

To ensure watertight operation, small amounts of caulk may be used on clearance holes, seams, etc.

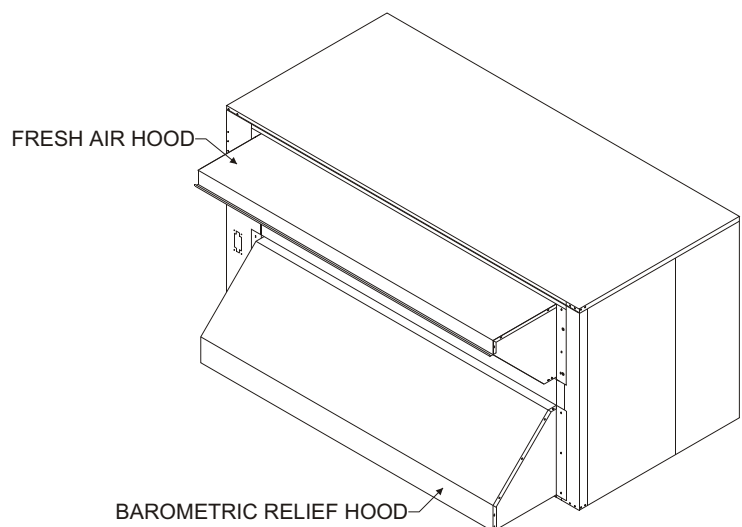


Figure 7

HARNES DETAIL

E# = WIRE END DESIGNATION

- E2 STUD #6 18 Ga. Wire
- E3 Female ¼ Quick Disc.
- E4 Male ¼ Quick Disc. Insul
- E6 Wire Nut Size 73B

**HARNES ENDS AT
(P7) ECONOMIZER
PLUG**

Economizer

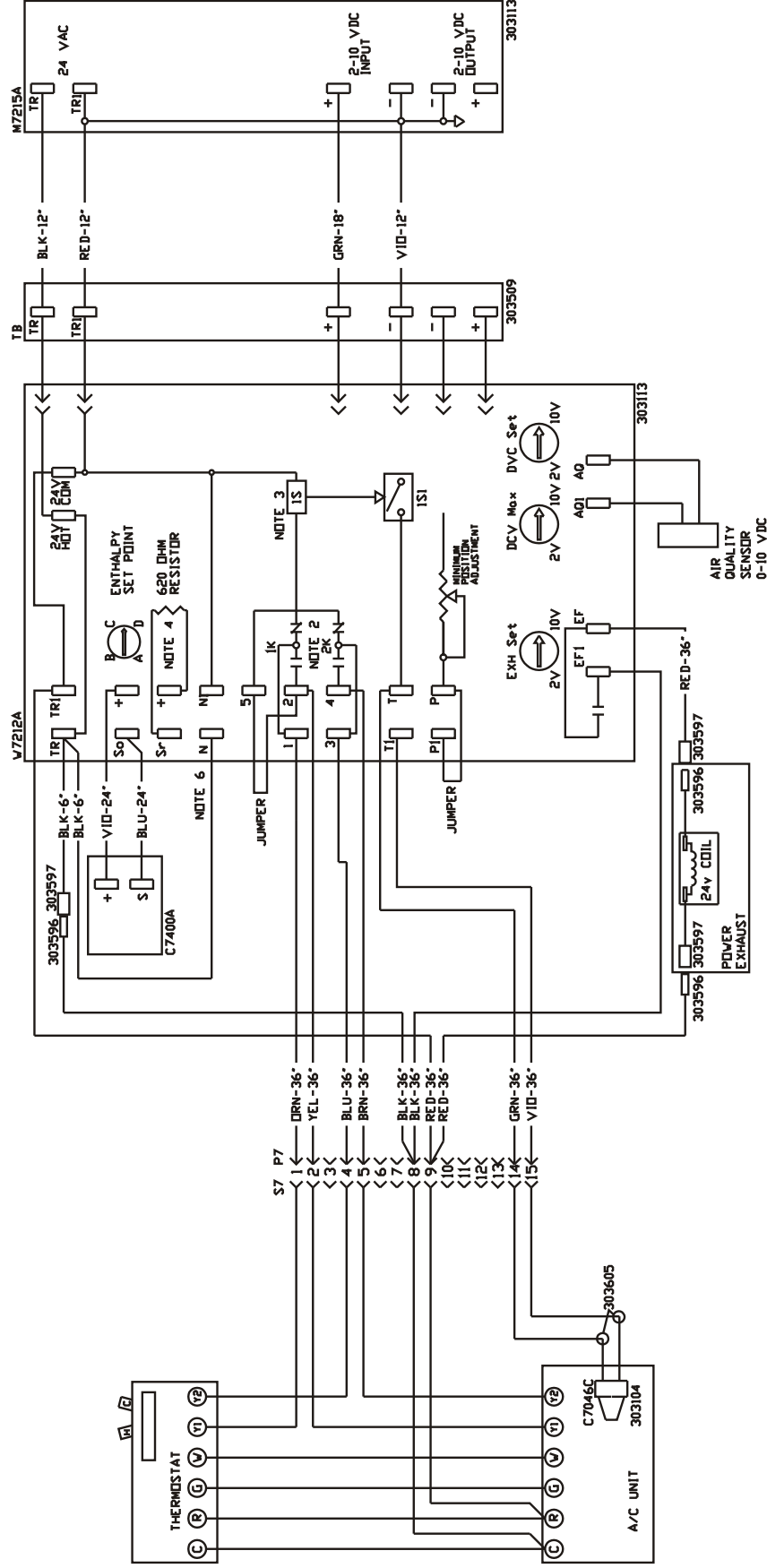
- C7046C Mixed Air Sensor
- C7400A Fresh Air Sensor
- M7215A Damper Actuator 24V
- P7/S7 Plug/Cap Economizer
- TB Terminal Board
- W7212A Logic Module

COMPONENT CODE

- BLK Black
- BRN Brown
- ORN Orange
- VIO Violet
- WHT White

WIRE COLOR CODE

- BLU Blue
- GRN Green
- RED Red
- YEL Yellow



Notes:

1. Unit wiring shown as reference only. Check unit wiring for actual unit wiring.

**Modulating Economizer
R4GM 150-180**

Rooftop Systems, Inc.
2405 McIver Lane
Carrollton, Texas 75006
Phone (972) 247-7447
Fax (972) 243-0940

Date: August 19, 2004
Supercedes: 07-28-04
Drawn by:
Unit # 555621
Diagram# 4736410W