

INSTALLATION INSTRUCTIONS

INSTALLATION INSTRUCTIONS FOR MODEL 547873 & 547882 HAIL GUARD

FORM# 613A-0298

The Hail Guard is designed to prevent damage to the condenser coil of the unit. The following list of parts are required:

STEP 1:

Check for correct number of parts. See list below.

- 1 - Rear Hail Guard (A)
- 1 - Side Hail Guard (B)
- 1 - Rear Top Panel (C)
- 1 - Side Top Panel (D)
- 4 - Vertical Side Panel (E)
- 1 - Hardware Package
 - 24 - #10- 16 x ½ Screw
 - 1 - Installation Instruction

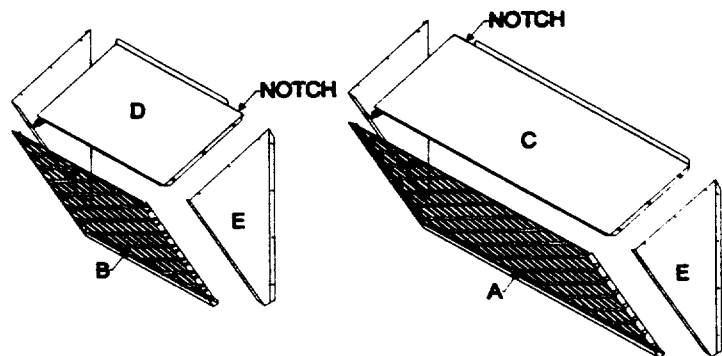


Figure 1

STEP 2:

Take (E) vertical side panels and assemble to their respective top panel (C) and (D)

STEP 3:

Secure (A) and (B) hail guards in between clips on the vertical side panels and close clips to hold guard in position.

STEP 4:

Slip top flange of the assembled kit under the top pan of the unit with notch at the coil edge and fasten to unit. Use the self-drilling screws supplied with kit to attach to the corner post and coil mounting panels.

Note:

If other than supplied screws are used ensure not to exceed ½" in length to prevent damage to the condenser coil.

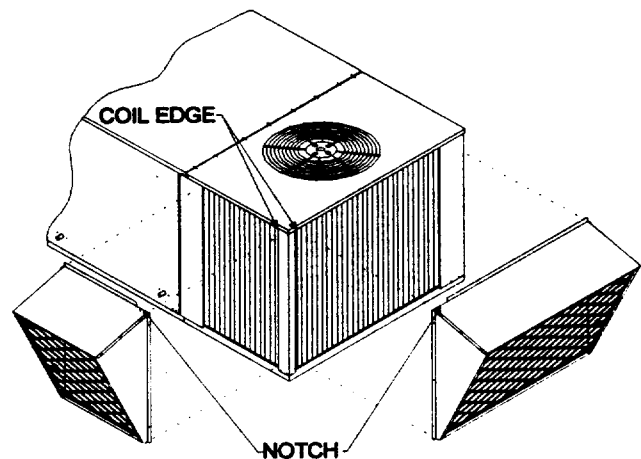


Figure 2

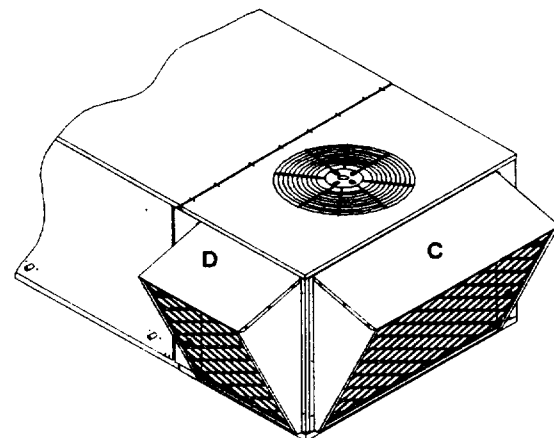


Figure 3