

# INSTALLATION INSTRUCTION

INSTALLATION INSTRUCTIONS FOR  
547867 / 547868 / 547876 / 547877 / 547890 / 547891  
POWER EXHAUST USED WITH R4GM 090-120 UNITS

610A-0298

## I—SHIPPING AND PACKING LIST

Package 1 of 1 contains:

- 1—Power Exhaust Assembly
- 1—Barometric Relief Hood
- 6—#10 x ½ x 16 Hex Tec
- 1—1 ½" Wire Grommet

Check contents for shipping damage. Contact the last carrier immediately if any shipping damage is found.

## II—APPLICATION

Power exhaust can be used in downflow or horizontal applications. The power exhaust is designed to relief excess pressure that may occur with economizers or building conditions.

## III—INSTALLATION

1—Disconnect all power to unit.

2—Cut and discard wire tie securing wire bundle to the damper motor

**Important—DO NOT cut other wires. Inspect for damaged connections or loose wires.**

3—Remove barometric relief hood of the economizer or if installing along with economizer omit Step 10. See Figure 2.

4—Remove plastic hole plug (located on economizer panel between fresh air and return air vanes) and replace with 1 ½" grommet supplied with this kit.

5—Route high voltage wiring with quick connect plug up through grommet and connect to unit wiring plug located in economizer wiring compartment above unit air filter system. Ensure wiring is secured and away from economizer vane travel.

6—Route micro switch through wiring grommet and install per assembly instructions provided. Ensure wiring is secured and away from economizer vane travel.

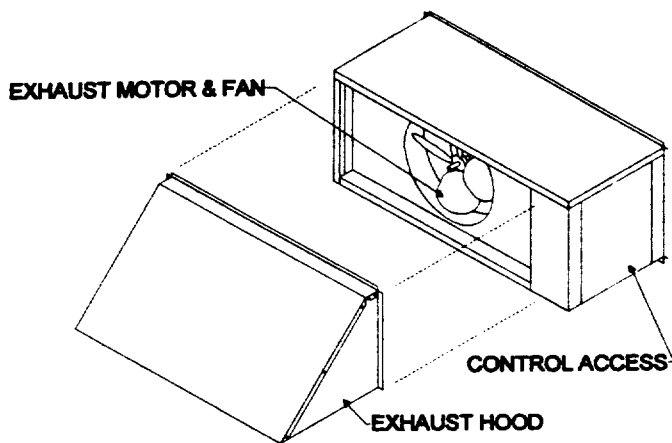


FIGURE 1

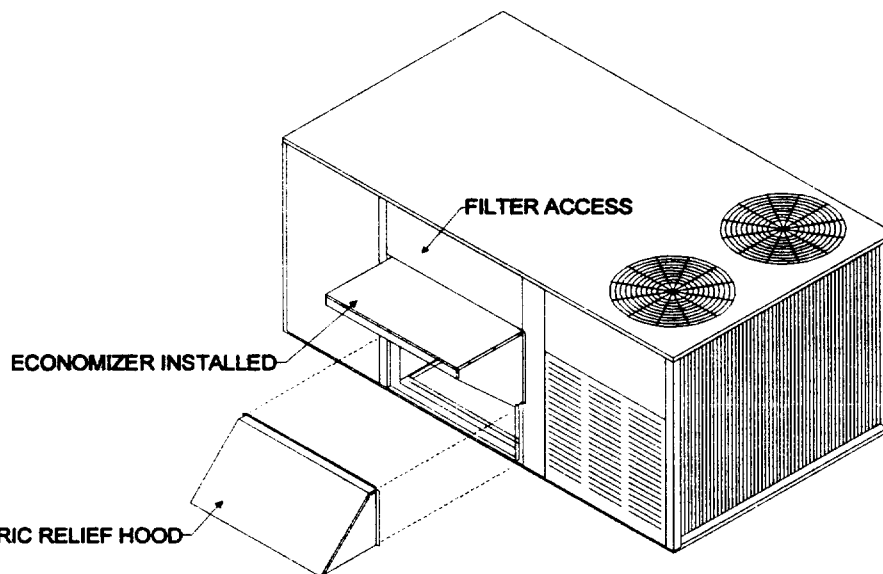
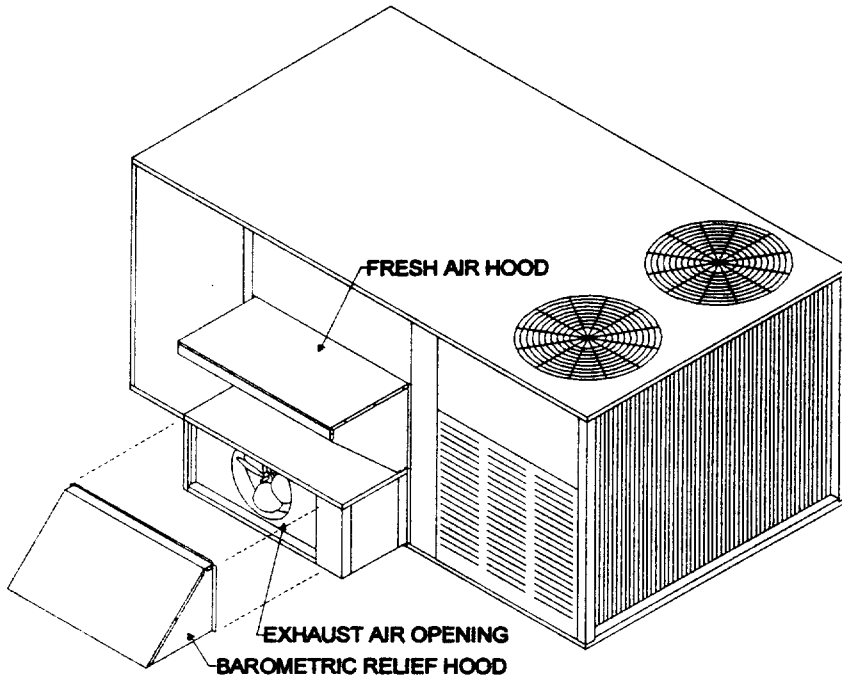


FIGURE 2

# INSTALLATION INSTRUCTION

INSTALLATION INSTRUCTIONS FOR  
547867 / 547868 / 547876 / 547877 / 547890 / 547891  
POWER EXHAUST USED WITH R4GM 090-120 UNITS

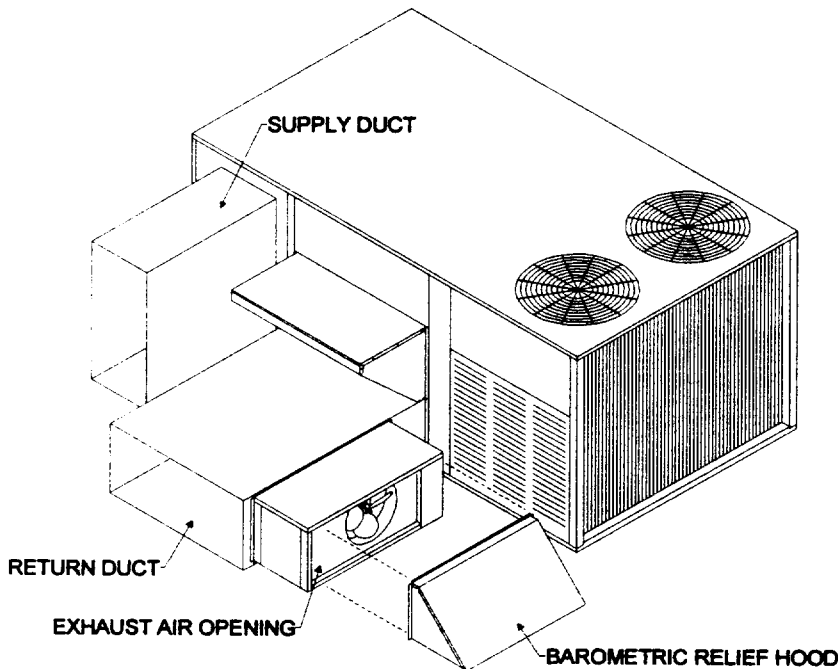
## DOWN FLOW APPLICATION



- 7—Secure power exhaust to the unit face with screws provided.
- 8— Install barometric relief hood in front of exhaust air opening.
- 9— Restore power to unit and check for proper operation.

FIGURE 2

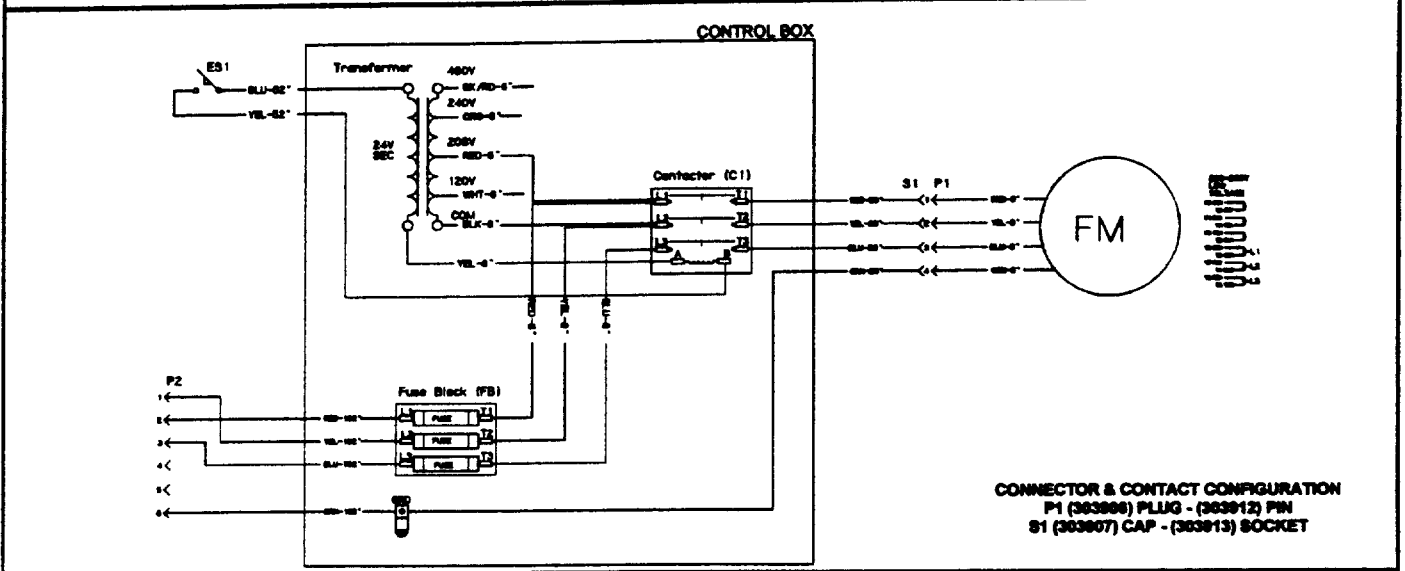
## HORIZONTAL APPLICATION



- 7—Secure power exhaust to the duct unit face over precut hole with screws provided.
- 8— Install barometric relief hood in front exhaust air opening.
- 9— Restore power to unit and check for proper operation

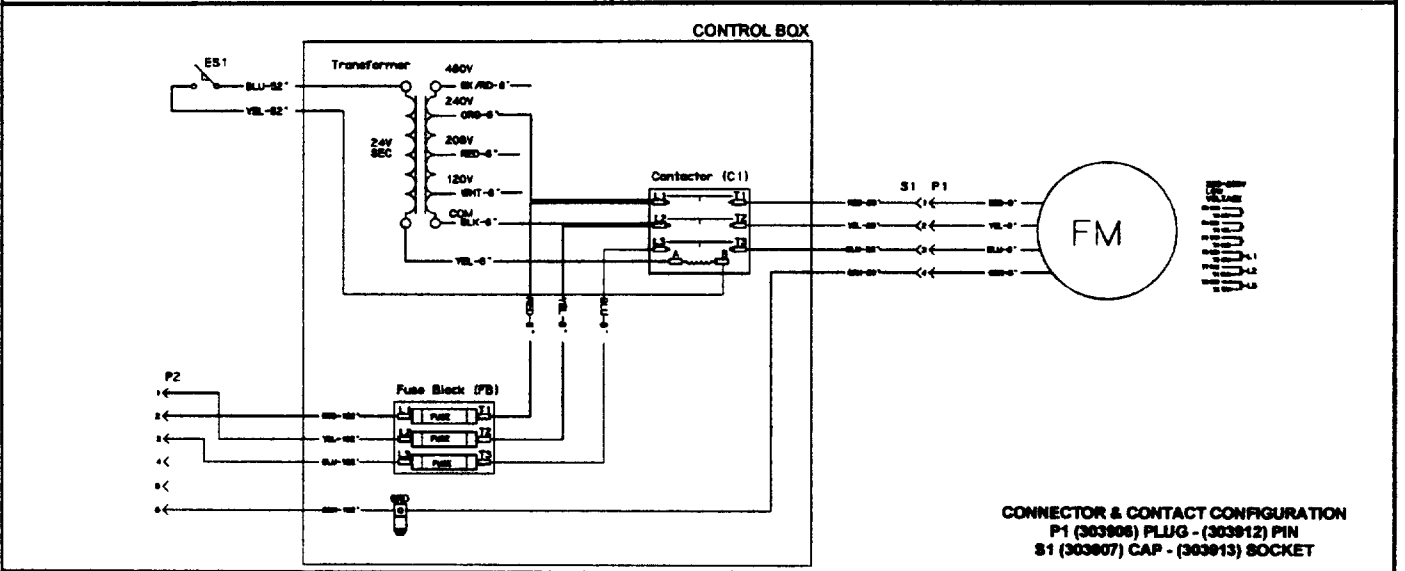
FIGURE 3

E# = WIRE END DESIGNATION		HARNESS LEADS ARE 14 GA. WIRE WITH NO END DESIGNATION	COMPONENT CODE		WIRE COLOR CODE			
E2	STUD #6 18 Ga. Wire			C1	Contactor	BK/GRD	Black/Red	BLK
E3	Female 1/2 Quick Disc.	ES1		End Switch	YEL	Yellow	WHT	White
E4	Male 1/2 Quick Disc. Inslut	FB		Fuse Block	ORG	Orange	RED	Red
E6	Wire Nut Size 73B	FM		Fan Motor	GRN	Green	BLU	Blue
		GRD		Ground				
			P1	Fan Plug Male				
			P2	Unit Plug Male				
			S1	Control Box Female				



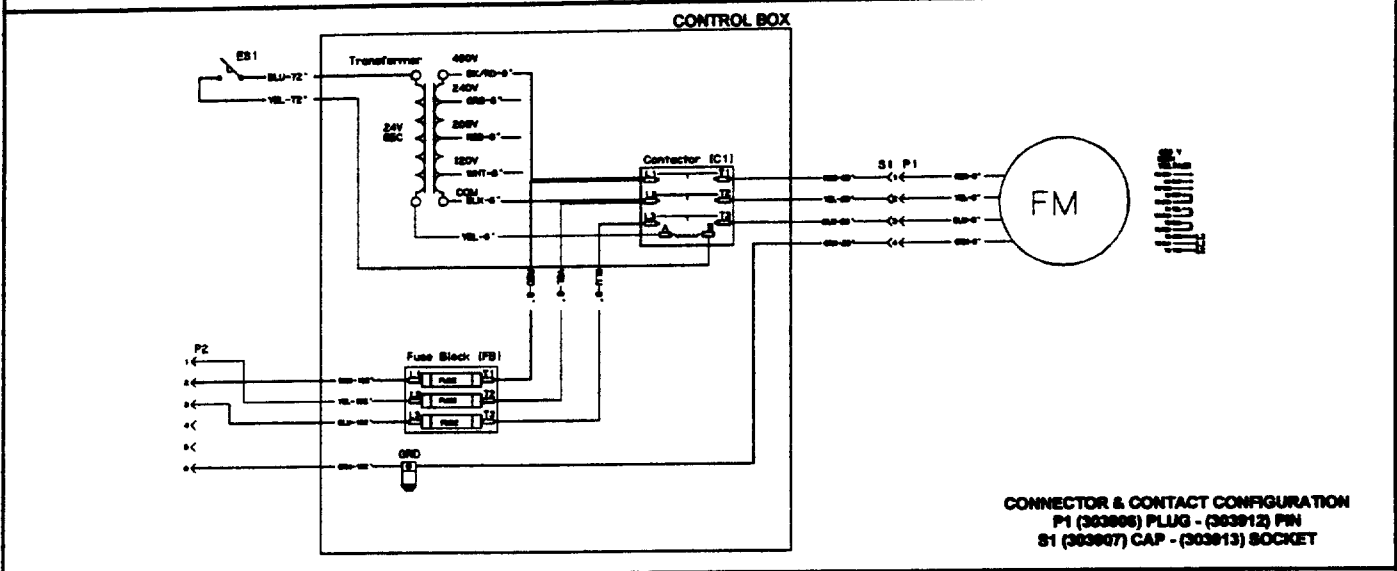
Notes:	208 Volt 3 Phase Power Exhaust for R4GM 090 & 120	
	<table border="1"> <tr> <td>Rooftop Systems, Inc. 2405 McIver Lane Carrollton, Texas 75006 Phone (972) 247-7447 Fax (972) 243-0940</td> <td>Date: April 9, 1999 Drawn by: Unit # 547867 / 547876</td> </tr> </table>	Rooftop Systems, Inc. 2405 McIver Lane Carrollton, Texas 75006 Phone (972) 247-7447 Fax (972) 243-0940
Rooftop Systems, Inc. 2405 McIver Lane Carrollton, Texas 75006 Phone (972) 247-7447 Fax (972) 243-0940	Date: April 9, 1999 Drawn by: Unit # 547867 / 547876	

E# = WIRE END DESIGNATION		HARNESS LEADS ARE 14 GA. WIRE WITH NO END DESIGNATION	COMPONENT CODE		WIRE COLOR CODE			
E2	STUD #6 18 Ga. Wire			C1	Contactor	BK/GRD	Black/Red	BLK
E3	Female 1/2 Quick Disc.	ES1		End Switch	YEL	Yellow	WHT	White
E4	Male 1/2 Quick Disc. Inslut	FB		Fuse Block	ORG	Orange	RED	Red
E6	Wire Nut Size 73B	FM		Fan Motor	GRN	Green	BLU	Blue
		GRD		Ground				
			P1	Fan Plug Male				
			P2	Unit Plug Male				
			S1	Control Box Female				



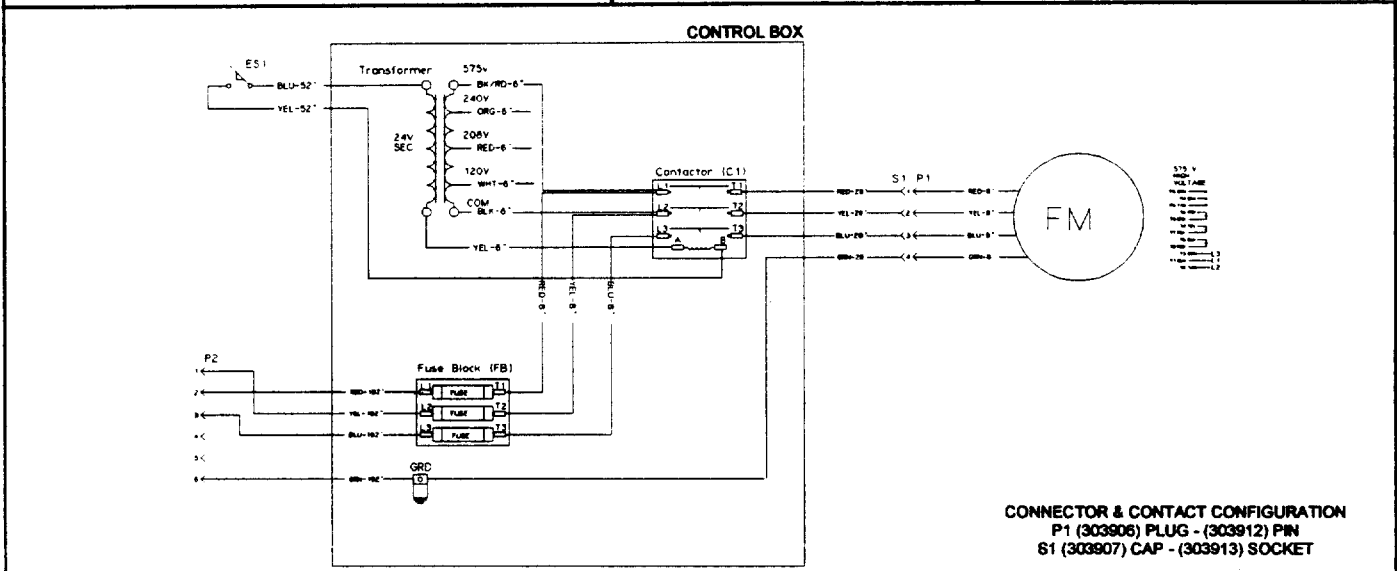
Notes:	230 Volt 3 Phase Power Exhaust for R4GM 090 & 120	
	<table border="1"> <tr> <td>Rooftop Systems, Inc. 2405 McIver Lane Carrollton, Texas 75006 Phone (972) 247-7447 Fax (972) 243-0940</td> <td>Date: April 9, 1999 Drawn by: Unit # 547867 / 547876 Diagram# 4650723W</td> </tr> </table>	Rooftop Systems, Inc. 2405 McIver Lane Carrollton, Texas 75006 Phone (972) 247-7447 Fax (972) 243-0940
Rooftop Systems, Inc. 2405 McIver Lane Carrollton, Texas 75006 Phone (972) 247-7447 Fax (972) 243-0940	Date: April 9, 1999 Drawn by: Unit # 547867 / 547876 Diagram# 4650723W	

<b>E# = WIRE END DESIGNATION</b>		<b>COMPONENT CODE</b>	<b>WIRE COLOR CODE</b>	
E2 STUD #6 18 Ga. Wire	<b>HARNESS LEADS ARE 14 GA. WIRE WITH NO END DESIGNATION</b>	C1 Contactor	BK/RD Black/Red	BLK Black
E3 Female 1/2 Quick Disc.		ES1 End Switch	YEL Yellow	WHT White
E4 Male 1/2 Quick Disc. Insul		FB Fuse Block	ORG Orange	RED Red
E6 Wire Nut Size 73B		FM Fan Motor	GRN Green	BLU Blue
		GRD Ground		
		P1 Fan Plug Male		
		P2 Unit Plug Male		
		S1 Control Box Female		



Notes:	<b>460 Volt 3 Phase Power Exhaust for R4GM 060 &amp; 120</b>	
	Rooftop Systems, Inc. 2405 McIver Lane Carrollton, Texas 75006 Phone (972) 247-7447 Fax (972) 243-0940	Date: April 9, 1999
	Drawn by:	Unit # 547868 / 547877

<b>E# = WIRE END DESIGNATION</b>		<b>COMPONENT CODE</b>	<b>WIRE COLOR CODE</b>	
E2 STUD #6 18 Ga. Wire	<b>HARNESS LEADS ARE 14 GA. WIRE WITH NO END DESIGNATION</b>	C1 Contactor	BK/RD Black/Red	BLK Black
E3 Female 1/2 Quick Disc.		ES1 End Switch	YEL Yellow	WHT White
E4 Male 1/2 Quick Disc. Insul		FB Fuse Block	ORG Orange	RED Red
E6 Wire Nut Size 73B		FM Fan Motor	GRN Green	BLU Blue
		GRD Ground		
		P1 Fan Plug Male		
		P2 Unit Plug Male		
		S1 Control Box Female		



Notes:	<b>575 Volt 3 Phase Power Exhaust for R4GM 060 &amp; 120</b>	
	Rooftop Systems, Inc. 2405 McIver Lane Carrollton, Texas 75006 Phone (972) 247-7447 Fax (972) 243-0940	Date: April 9, 1999
	Drawn by:	Unit # 547880 / 547891
		Diagram# 4650743W