

INSTALLATION INSTRUCTION

INSTALLATION INSTRUCTIONS FOR (OAD) OUTSIDE AIR DAMPER 547864/547874/547865

FORM# 607A-0296

I—SHIPPING AND PACKING LIST

Package 1 of 1 contains:

547864 / 547874

- 1—OAD Panel with Slide Damper
- 1—Control and Filter Access Panel
- 1—Fresh Air Hood with Filter
- 2—Snap Clips (304260)
- 38—Screws 10 x 1/2 x 16 Hex Tex

547865

- 1—Damper Section with Motor

Check contents for shipping damage. Contact the last carrier immediately if any shipping damage is found.

II—APPLICATION

The Outside Air Dampers (OAD) are designed to fit the Return Access Panel. The manual dampers are adjusted by a slide damper and motorized dampers use a 2-position motor that opens when blower is energized.

III—INSTALLATION - MANUAL (547864 / 547874)

- 1—Remove unit return access panel.
- 2—Install OAD panel where return panel was removed. Add clip to each side near top of panel using existing screw from unit post.
- 3—Assemble fresh air hood. See Figure 1.
- 4—Install filter access panel and secure to unit.
- 5—Adjust slide damper to desired position.

IV—INSTALLATION - MOTORIZED (547865)

- 1—Remove OAD panel from unit or box depending on new or retro fitting existing unit.
- 2—Remove 1/2" screws located in clearance holes of hood on OAD panel. See Figure 2.
- 3—Take 1" screws shipped with damper and start in holes where screws in step 2 were removed.
- 4—Place damper section to engage 1" screws in flange of damper. See Figure 2.
- 5—Place OAD Panel in same place unit panel was located. Connect (P4) plug from OAD to (J4) plug on unit.

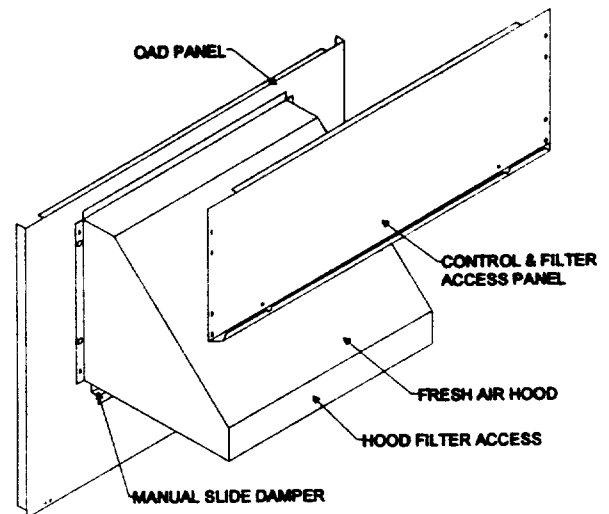


FIGURE 1

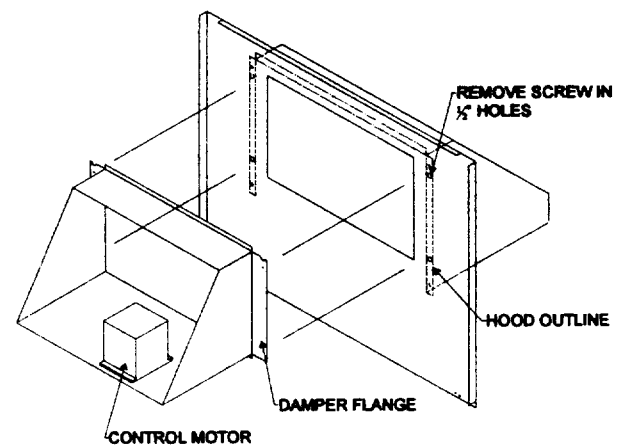


FIGURE 2

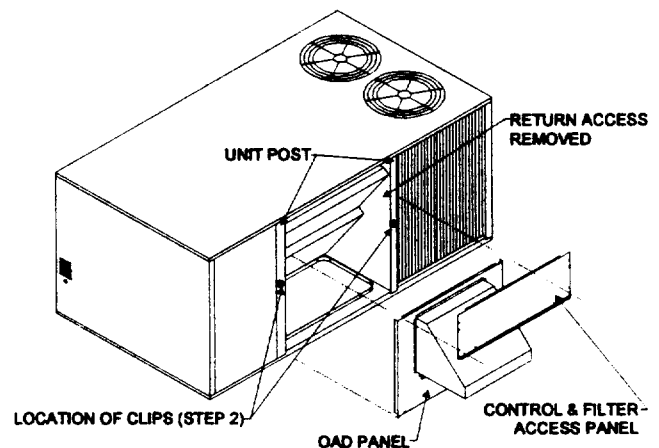


FIGURE 3

HARNES DETAIL

E# = WIRE END DESIGNATION
E2 STUD #6 18 Ga. Wire
E3 Female 1/2 Quick Disc.
E4 Male 1/2 Quick Disc. Inaul
E6 Wire Nut Size 738

**HARNES ENDS AT
 (P1) FRESH AIR PLUG**

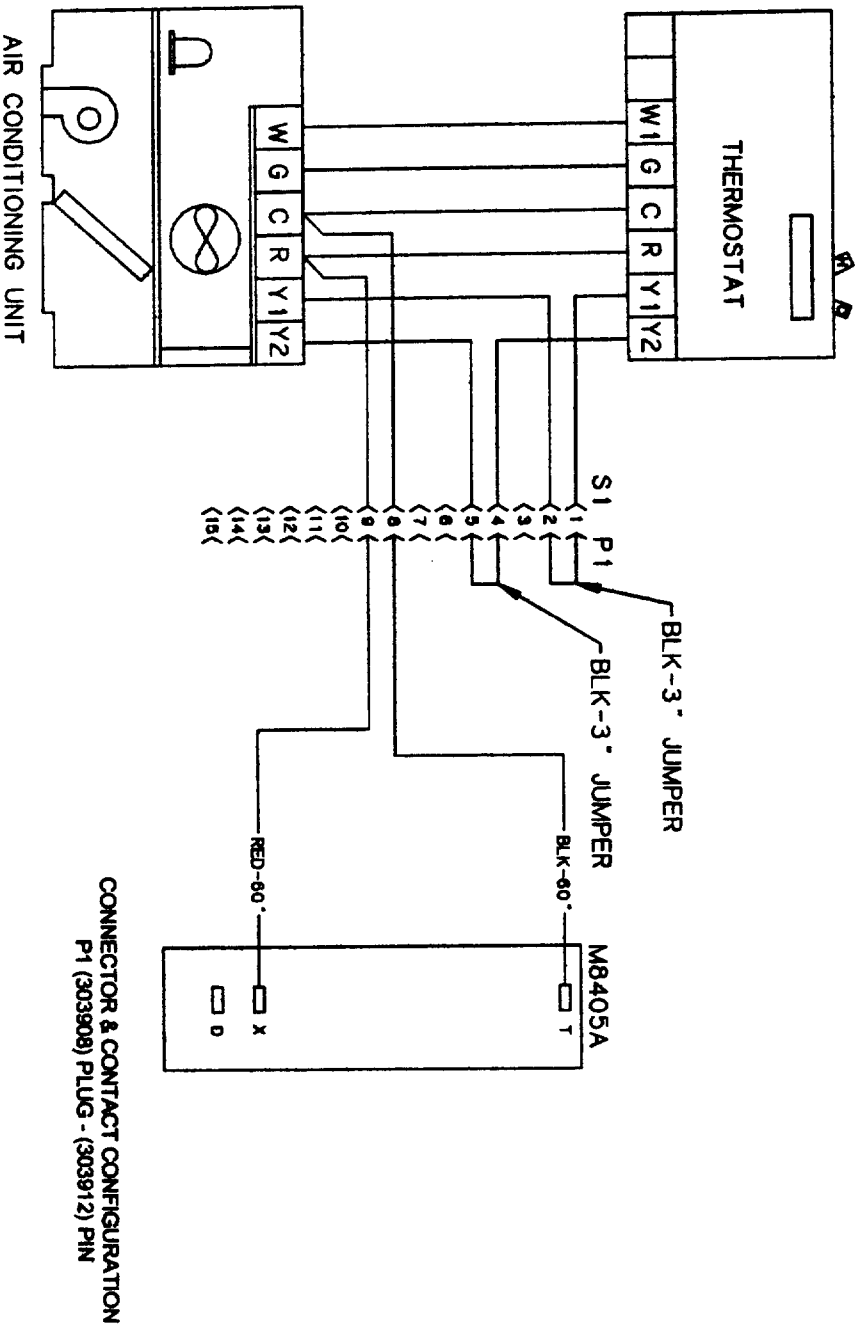
COMPONENT CODE

Economizer
M8405A
P1
S1

Damper Actuator 24V
Economizer Plug
Unit Economizer Plug

WIRE COLOR CODE

BLK Black
RED Red



- Notes:**
1. Unit wiring shown as reference only. Check unit wiring for actual unit wiring.
 2. Y2 must be energized for the compressor to operate.

0-35% Motorized Outside Air
R4GM 090-120

Date: July 28, 1998

Drawn by:

Unit # 47-287-07

Diagram #: 7W