

INSTALLATION INSTRUCTIONS

INSTALLATION INSTRUCTIONS
MODEL 547860 / 547861 / 547862 / 547863
R4G* / P4S* 090-120

FORM# 606A-0298

This Roof Curb is NRCA approved and is constructed of 18 gauge galvanized steel with a full perimeter 1" x 4" wood nailer strip. The curb is designed to be used with the Cooling, Gas Electric, and Heat Pump Models. The curb is shipped with the following parts, (see figure 2):

- 1) 2 ea. Curb Short Sides - $50\frac{7}{8}$ " Long (A)
- 2) 2 ea. Curb Long Sides - $94\frac{7}{8}$ " Long (B)
- 3) 2 ea. Vertical Duct Support - $46\frac{7}{8}$ " Long (C)
- 4) 1 ea. Horizontal Duct Support - $21\frac{1}{2}$ " Long (D)
- 5) 1 ea. Horizontal Duct Support - 33" Long (E)
- 6) 1 ea. Hardware Package Includes:
 - 4 ea. "Hinge" Pins $\frac{3}{16}$ "
 - 8 ea. Hex Washers screws #10 x $\frac{1}{2}$ "
- 7) 3 ea. Gasket $\frac{3}{4}$ " x $1\frac{1}{4}$ " x 14' (42 ft. total)

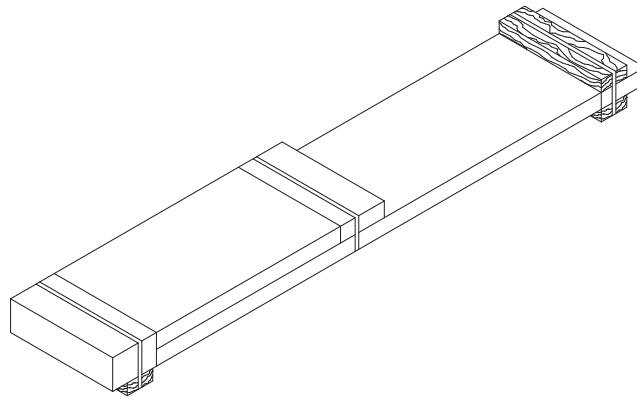


Figure 1

Step 1:

Curb Package is shown as shipped with easy to identify part numbers on all sides. Cut shipping bands and remove Hardware, Gasket Material, and 4 Duct Supports.

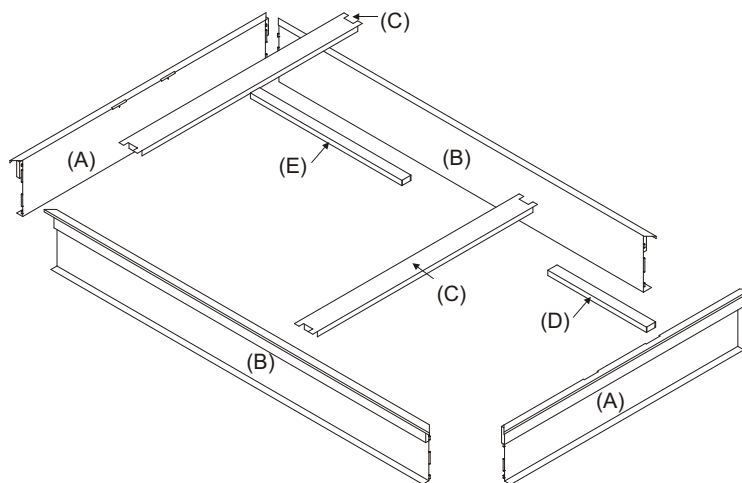


Figure 2

Step 2:

Layout the curb pieces before assembly to insure that all the necessary pieces are included.

U.S. PATENT 5148647

INSTALLATION INSTRUCTIONS

INSTALLATION INSTRUCTIONS
MODEL 547860 / 547861 / 547862 / 547863
R4G* / P4S* 090-120

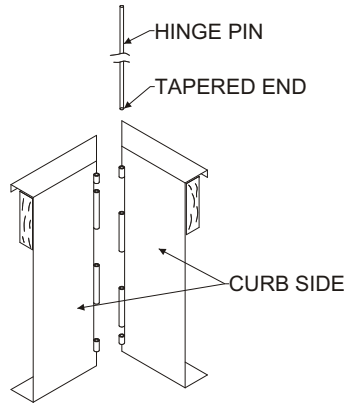


Figure 3

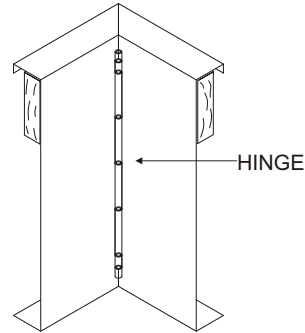


Figure 4

STEP 3:

Corner Assembly: Align each curb side as shown in (Figure 3). Using a hammer, drive the curb “hinge” pin down until the top of the pin is below the top of the curb (Figure 4).

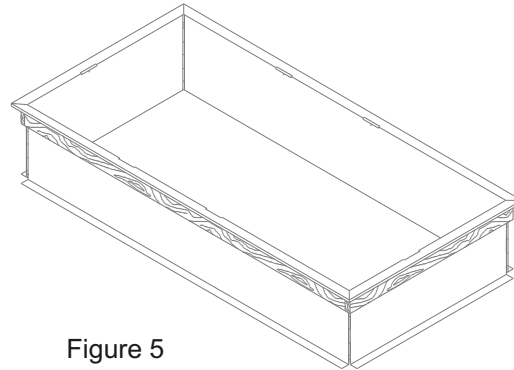
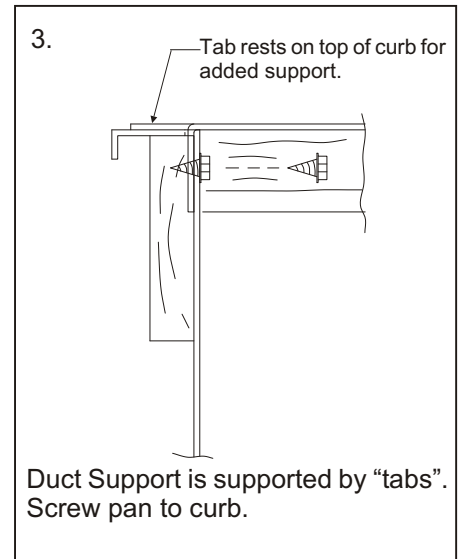
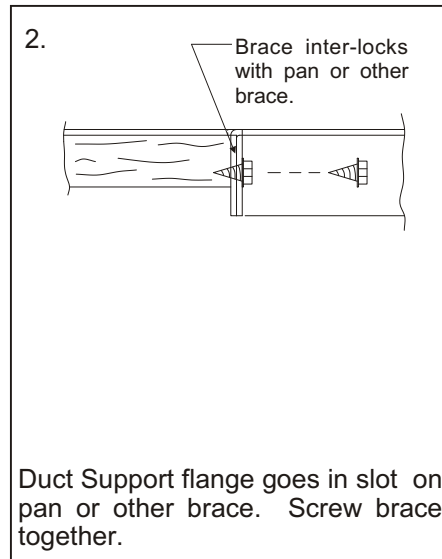
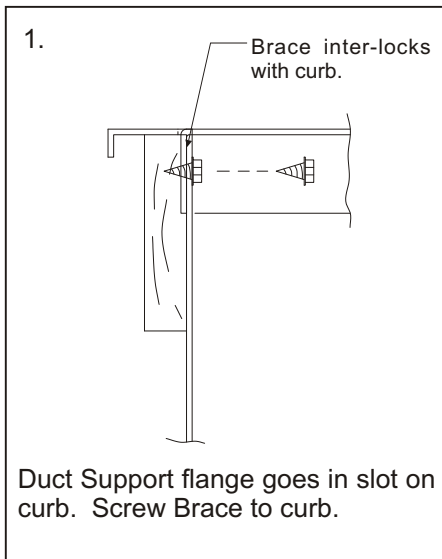


Figure 5

STEP 4:

After the four corners are assembled; the curb should be checked to be sure it is in “square”. Do this by measuring diagonally from each opposite corner. The two measurements should be the same for each direction.

DETAILS



INSTALLATION INSTRUCTIONS

INSTALLATION INSTRUCTIONS
MODEL 547860 / 547861 / 547862 / 547863
R4G* / P4S* 090-120

Note:

Duct Supports can be located on either end depending on individual applications.

Step 5:

Install the vertical duct support (C) as shown with opening over the desired duct location (Figure 6).

Step 6:

Install the horizontal duct support (D) as shown (Figure 6).

Step 7:

Install the horizontal duct support (E) as shown (Figure 6).

Step 8:

If the curb is being assembled and moved to another location, attach the duct supports as shown in "Details".

Step 9:

Place the $\frac{3}{4}$ " x $1\frac{1}{4}$ " Gasket on all of the top edges of the Roof Curb, including the duct supports.

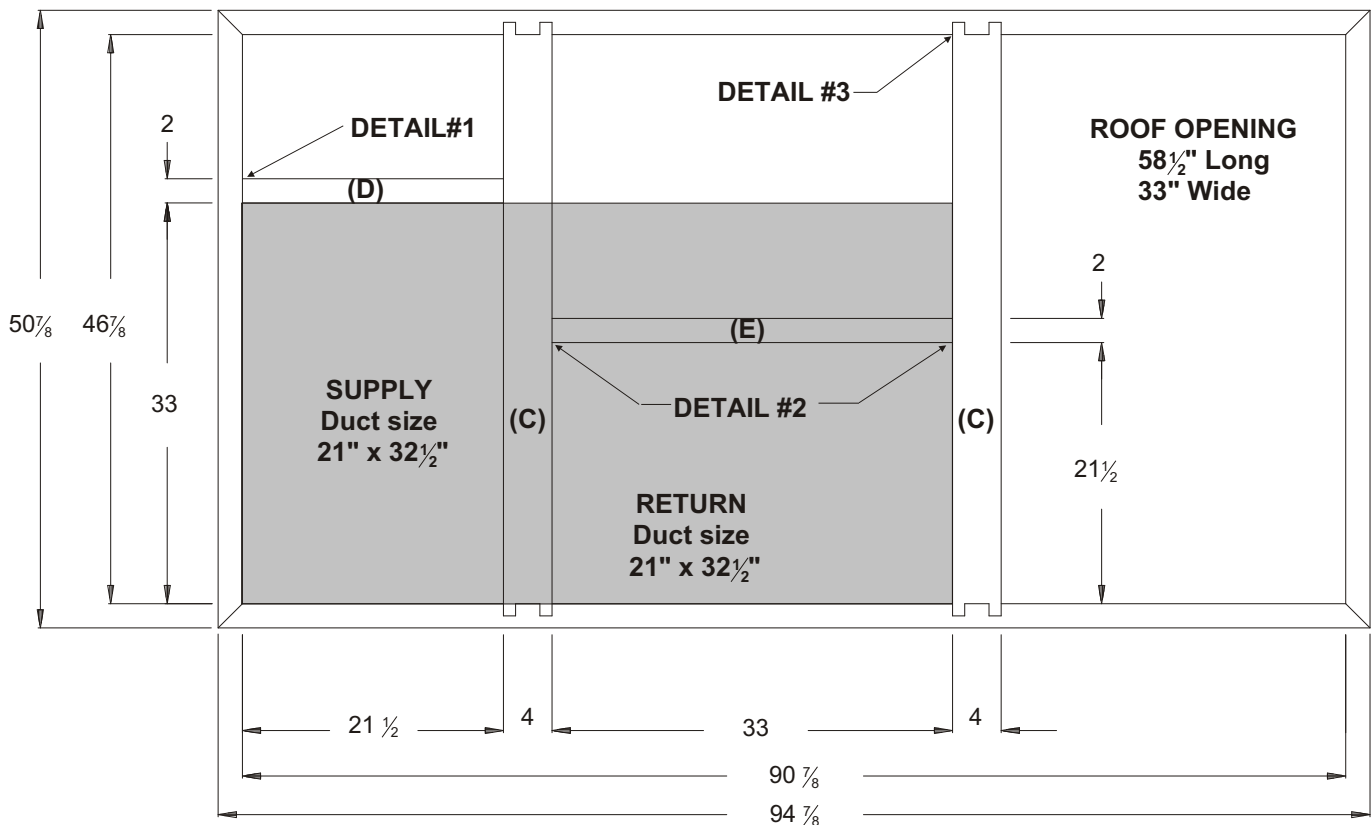


Figure 6

INSTALLATION INSTRUCTIONS

INSTALLATION INSTRUCTIONS
MODEL 547860 / 547861 / 547862 / 547863
R4G* / P4S* 090-120

ROOF INSTRUCTIONS

