

INSTALLATION INSTRUCTION

INSTALLATION INSTRUCTIONS FOR 547841 ECONOMIZERS USED WITH R4GA/GC 024-060 P4SA/SC Q4SA/SC 036-060 UNITS

599A-0298

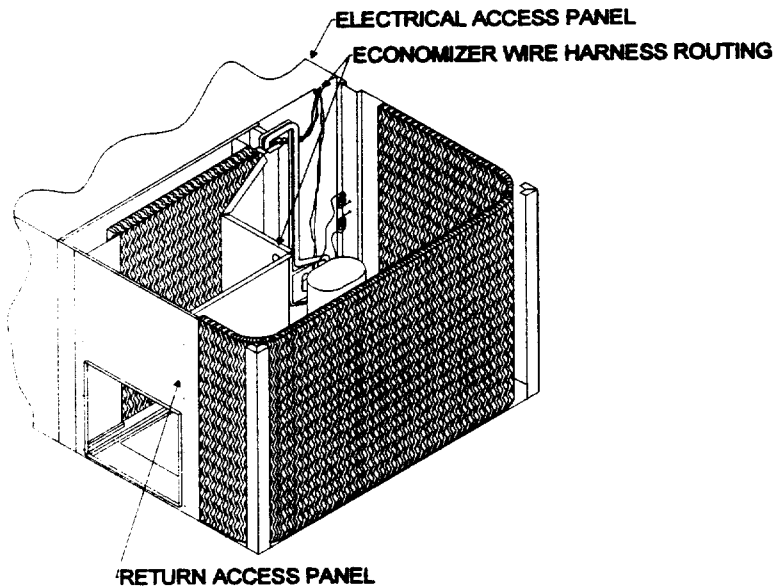
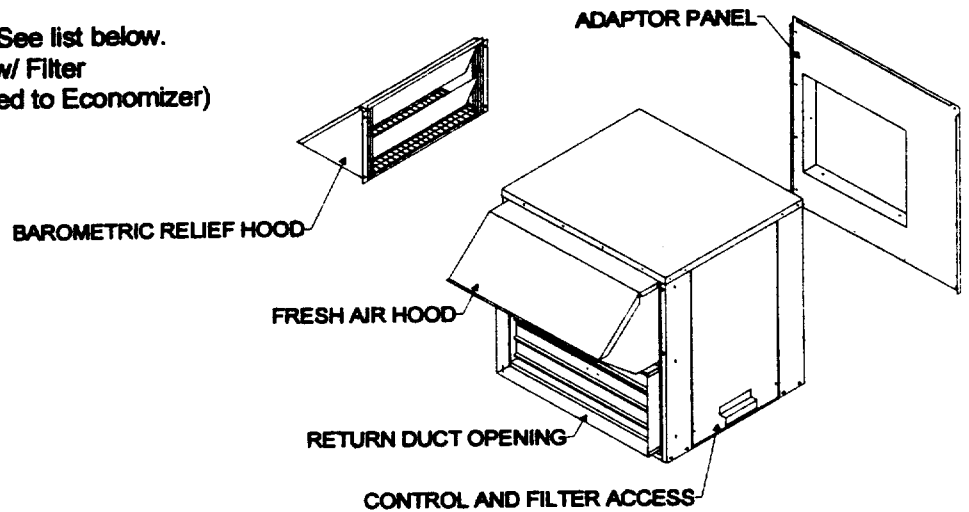
 Recognize this symbol as an indication of Important Safety Information!

547841 Economizer is used with R4GA/GC 024-060 P4SA/SC Q4SA/SC 036-060 units for automatic sensor-controlled introduction of outdoor air into the system through an electro-mechanically controlled damper.

STEP 1:

Check for correct number of parts. See list below.

- 1 - Economizer Assembly w/ Filter
- 1 - Adaptor Panels (Attached to Economizer)
- 1 - Wiring Diagram Sticker
- 1 - Barometric Relief Hood
- 10 - #10 x 16 x 1/2 Type A



WARNING:

Disconnect electrical power to the unit. Failure to do so can cause electrical shock resulting in personal injury or death.

STEP 2:

Remove the Electrical access panel.

STEP 3:

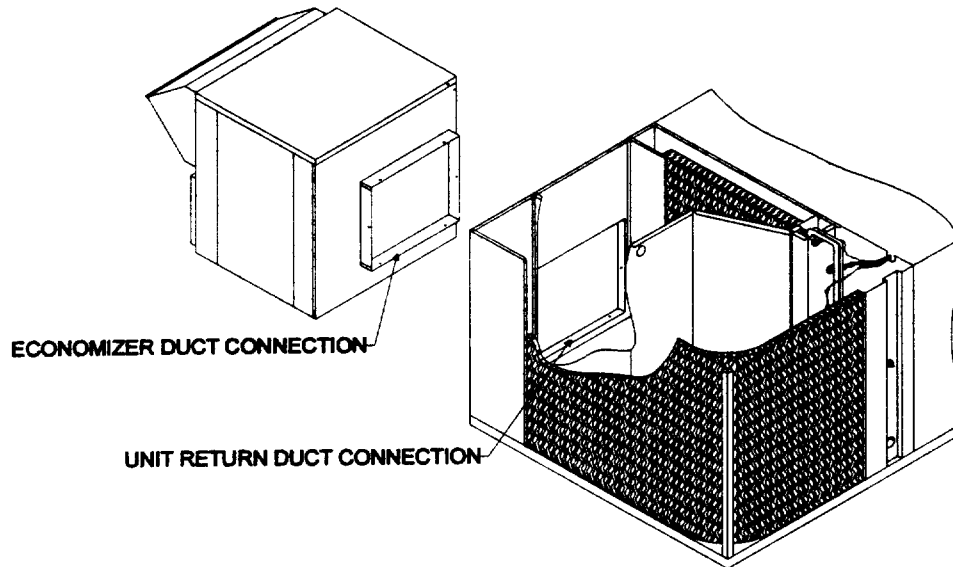
Remove the unit top panel by unscrewing and rotating the section over the compressor. Caution watch the cable between unit and compressor fan motor.

STEP 4:

Route the wire harness through divider walls prepunched hole and then over divider wall where existing wires are located.

INSTALLATION INSTRUCTION

INSTALLATION INSTRUCTIONS
FOR 547841 ECONOMIZERS USED WITH
R4GA/GC 024-060 P4SA/SC Q4SA/SC 036-060 UNITS



STEP 5:

Slide Economizer over horizontal return opening of the unit. Secure Economizer using the screws that were provided.

STEP 6:

Move the unit top panel back in place and secure with the screws removed in Step 3.

STEP 7:

Attach and seal weather tight return duct to Economizer.

STEP 8:

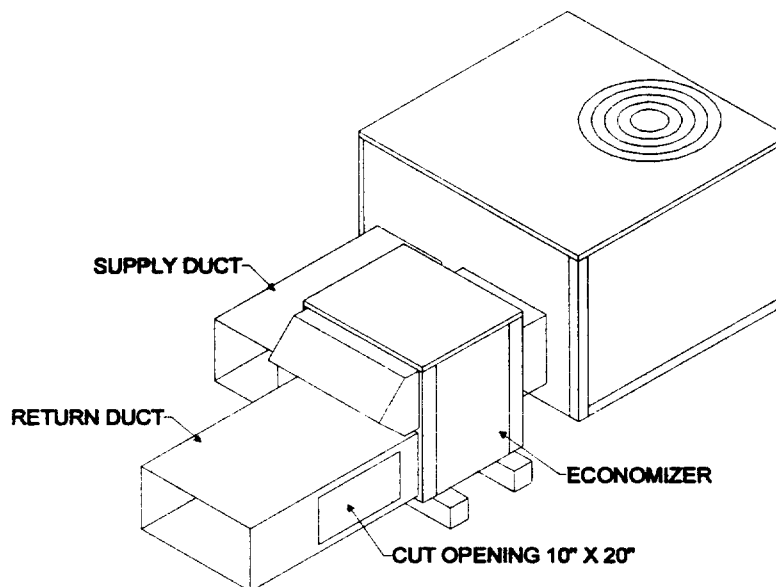
If the barometric relief is to be installed cut a 10" x 20" hole in the return air duct near Economizer.

STEP 9:

Secure barometric relief damper near Economizer over hole in return air duct using (4) screws provided.

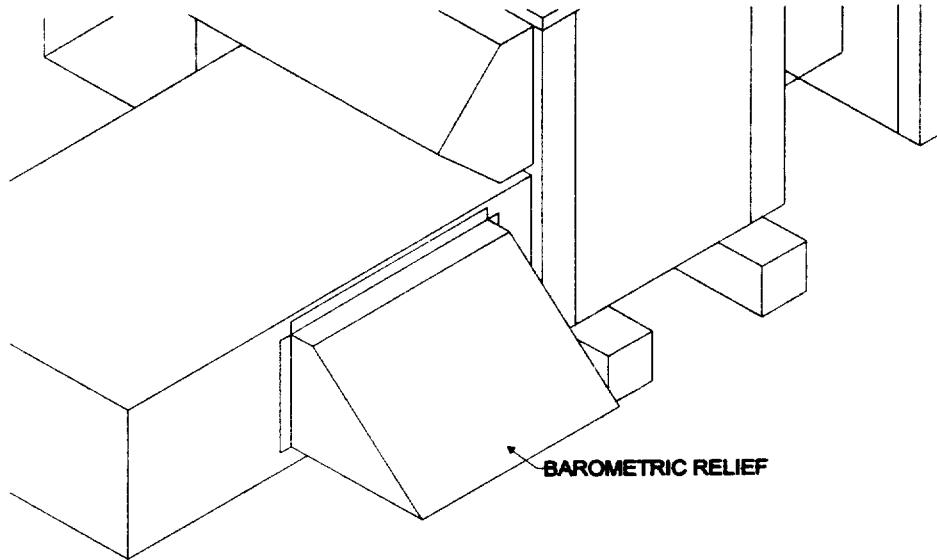
STEP 10:

Place the adhesive backed wiring diagram on the electrical access panel by the unit diagram.



INSTALLATION INSTRUCTION

INSTALLATION INSTRUCTIONS
FOR 547841 ECONOMIZERS USED WITH
R4GA/GC 024-060 P4SA/SC Q4SA/SC 036-060 UNITS

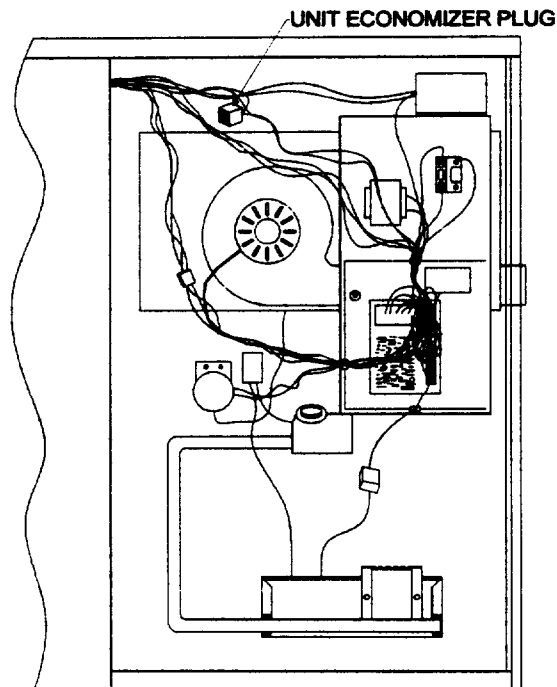


STEP 11:

Take the Economizer plug and connect to unit Economizer plug and replace electrical access panel.

STEP 12:

Turn power back on to the unit. See the enclosed Honeywell® specification data for operation and check out.

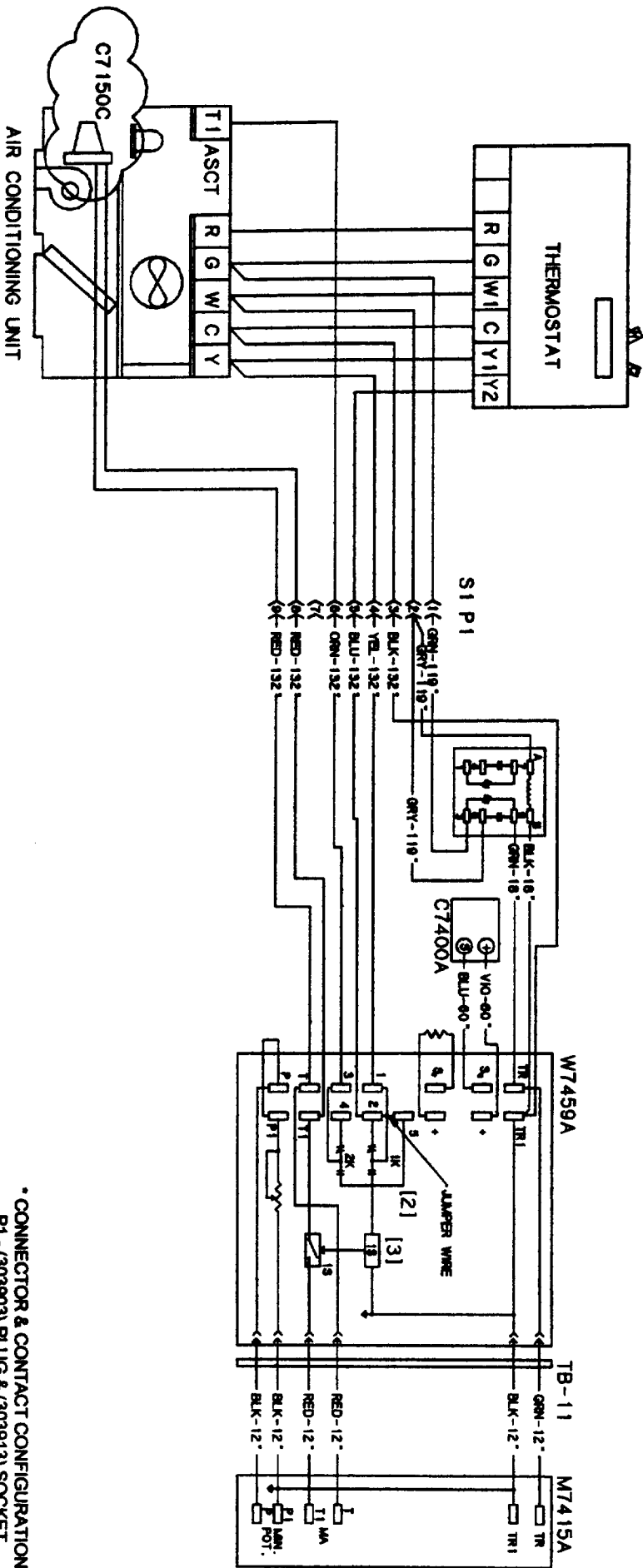


HARNNESS DETAIL

- E# = WIRE END DESIGNATION
- E2 STUD #6 18 Ga. Wire
- E3 Female 1/2 Quick Disc.
- E4 Male 1/2 Quick Disc. Incul
- E6 Wire Nut Size 73B
- E7 Raw End
- E8 Female 1/2 Quick Disc.

HARNNESS ENDS AT P1

COMPONENT CODE	WIRE COLOR CODE
C7400A	BLK
M7415A	BLU
C7150C	GRN
W7459A	ORN
P1	VIO
S1	ORNG
TB-11	VLET



• CONNECTOR & CONTACT CONFIGURATION
P1 - (303903) PLUG & (303913) SOCKET

- Notes:
- Unit wiring shown as reference only. Check unit wiring for actual unit wiring.
 - YZ must be energized for the compressor to operate during economizer operation.

Horizontal Modulating Economizer
R4GAGC 024-060 PASASC Q4SASC 036-060

Rooftop Systems, Inc.
2405 McIver Lane
Carrollton, Texas 75006
Phone: (972) 247-7447
Fax: (972) 243-0940

Date: March 17, 1989
Drawn by:
Unit # 47-324-06