

INSTALLATION INSTRUCTIONS

INSTALLATION INSTRUCTIONS
MODEL 547830 / 547831 / 547850 / 547851
P4/Q4/R4 024-072

FORM# 593A-0202

This Roof Curb is NRCA approved and is constructed of 18 gauge galvanized steel with a full perimeter 1" x 4" wood nailer strip. The curb is designed to be used with the Cooling, Gas Electric, and Heat Pump Models. The curb is shipped with the following parts, (see Figure 2):

- 1) 2 ea. Curb Long Sides - 49½" Long (A)
- 2) 2 ea. Curb Short Sides - 41½" Long (B)
- 3) 1 ea. Horizontal Duct Support - 46½" Long (C)
- 4) 1 ea. Vertical Duct Support - 21" Long (D)
- 5) 1 ea. Vertical Duct Support - 19" Long (E)
- 6) 1 ea. Horizontal Duct Support - 25" Long (F)
- 7) 2 ea. Insulated Pan - 46½" Long (G)
- 8) 1 ea. Insulated Pan - 21" Long (H)
- 9) 1 ea. Hardware Package Includes:
 - 4 ea. "Hinge" Pins ⅜"
 - 12 ea. Hex Washers screws #10 x ½"
- 10) 2 ea. Gasket ¾" x 1 ¼" x 14' (28 ft. total)

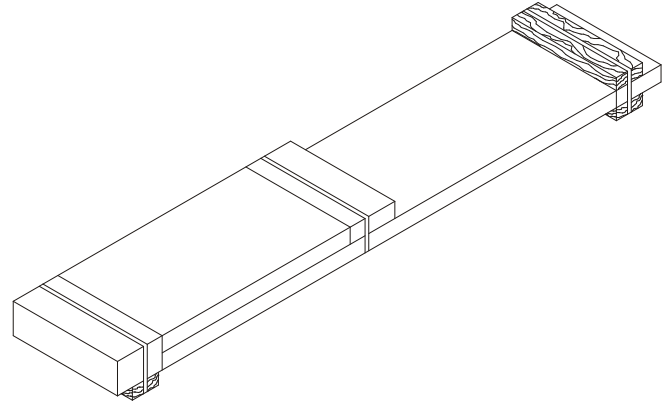


Figure 1

Step 1:

Curb Package is shown as shipped with easy to identify part numbers on all sides. Cut shipping bands and remove Hardware, Gasket Material, 4 Duct Supports, and 3 Insulated Pans.

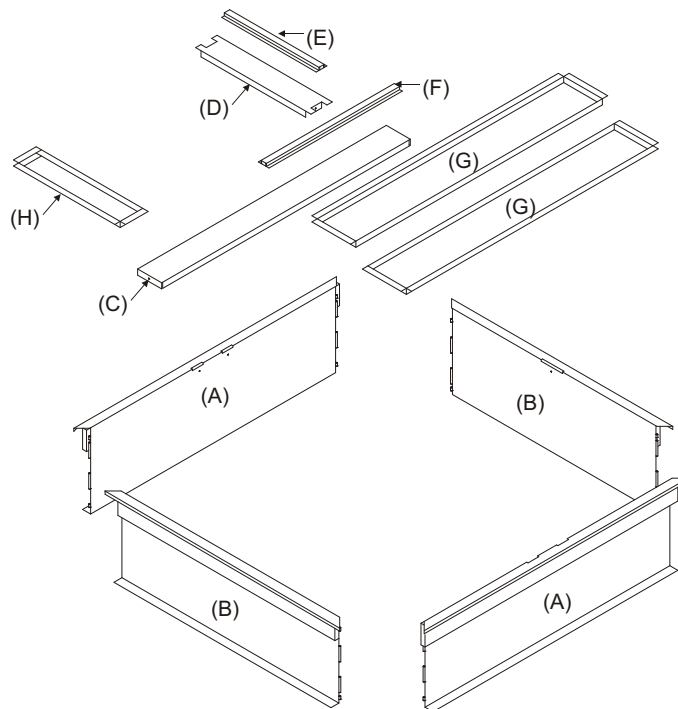


Figure 2

Step 2:

Layout the curb pieces before assembly to insure that all the necessary pieces are included.

U.S. PATENT 5148647

INSTALLATION INSTRUCTIONS

INSTALLATION INSTRUCTIONS
MODEL 547830 / 547831 / 547850 / 547851
P4/Q4/R4 024-072

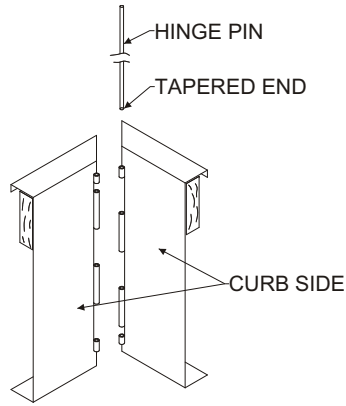


Figure 3

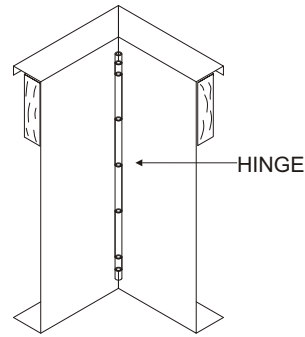


Figure 4

STEP 3:

Corner Assembly: Align each curb side as shown in (Figure 3). Using a hammer, drive the curb "hinge" pin down until the top of the pin is below the top of the curb (Figure 4).

Figure 5

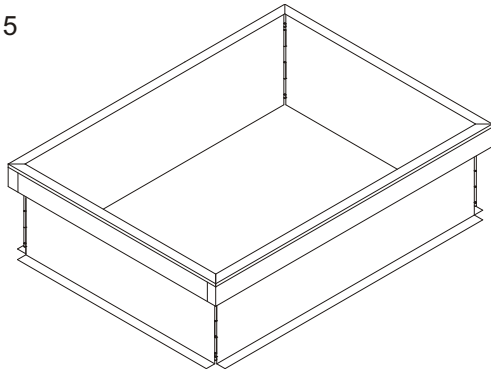
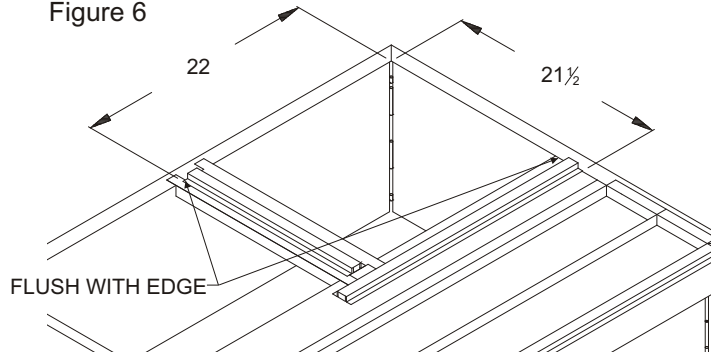


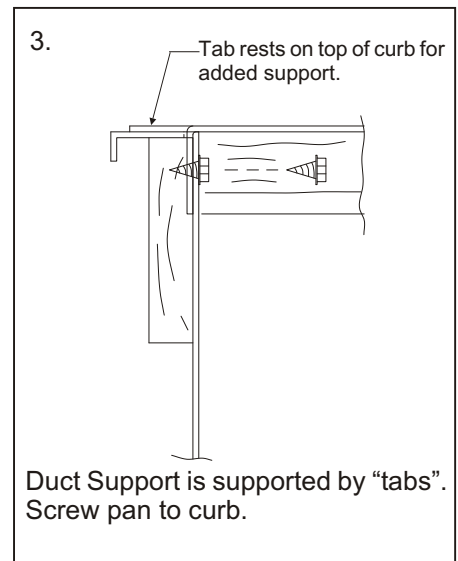
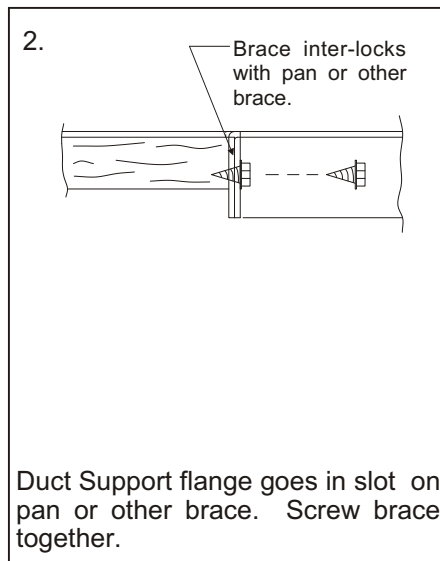
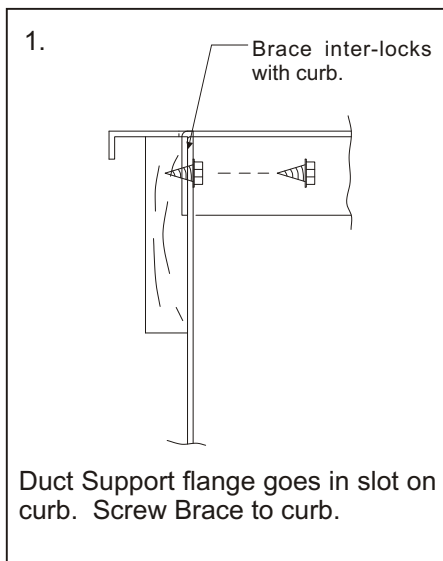
Figure 6



STEP 4:

After the four corners are assembled; the curb should be checked to be sure it is in "square". Do this by measuring diagonally from each opposite corner. The two measurements should be the same for each direction.

DETAILS



INSTALLATION INSTRUCTIONS

INSTALLATION INSTRUCTIONS
MODEL 547830 / 547831 / 547850 / 547851
P4/Q4/R4 024-072

Note:

Duct Supports can be located on either end depending on individual applications.

Step 5:

Install the duct horizontal support (C) as shown with opening over the desired duct location (Figure 7).

Step 6:

Install the vertical duct support (D) as shown (Figure 7).

Step 7:

Install the vertical duct support (E) and horizontal duct support (F) on top of vertical duct support (D) and horizontal duct support (C) respectively as shown (Figure 6).

Step 8:

Install the insulated pans (G) and (H) as shown (Figure 7).

Step 9:

If the curb is being assembled and moved to another location, attach the duct supports as shown in "Details".

Step 10:

Install $18\frac{1}{2}$ " x $18\frac{1}{2}$ " duct and secure to the curb with screws or rivets.

Step 11:

Place the $\frac{3}{4}$ " x $1\frac{1}{4}$ " Gasket on all of the top edges of the Roof Curb, including the duct supports.

NOTE:

Figure 7 is shown without parts (E) and (F)

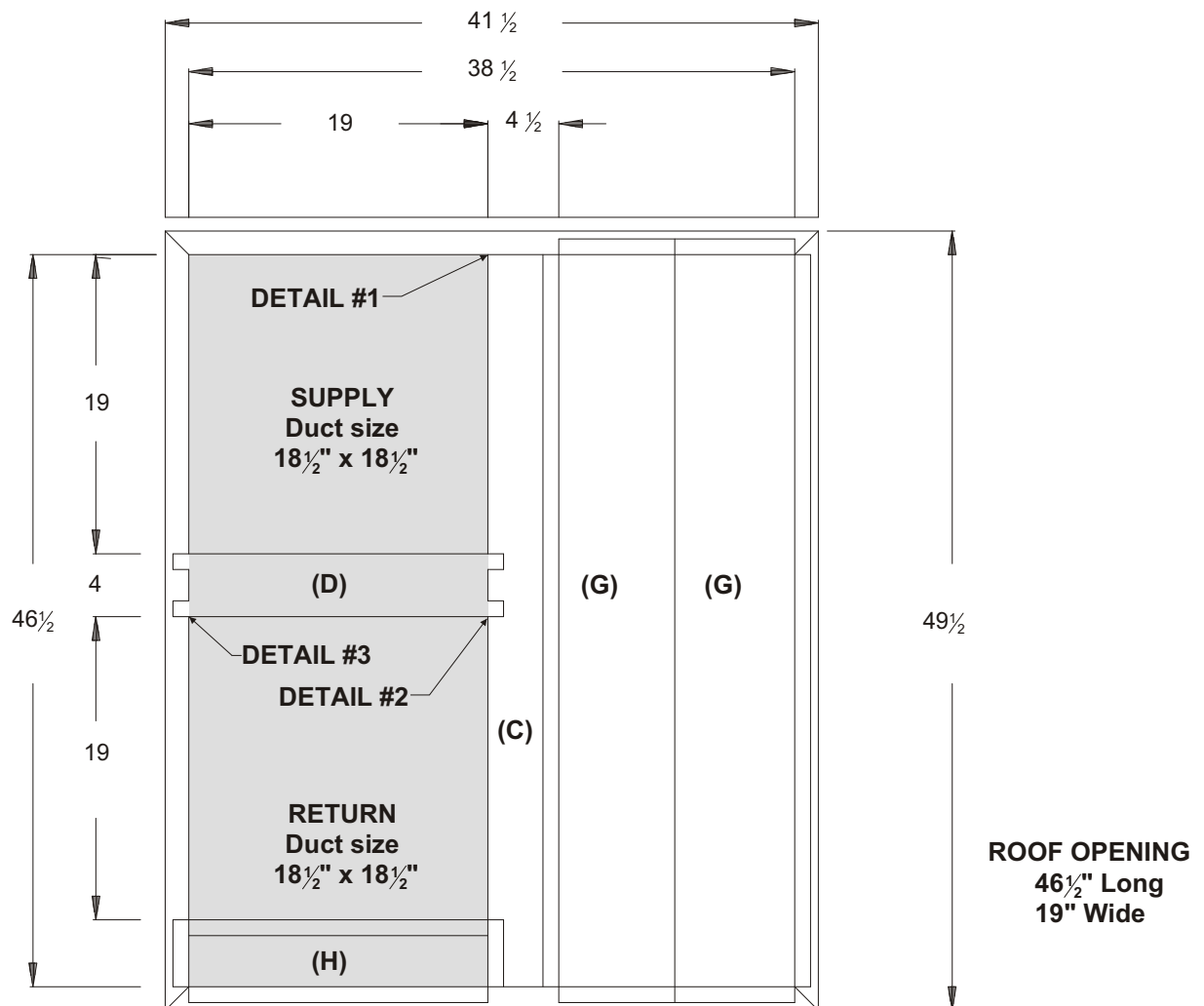


Figure 7

INSTALLATION INSTRUCTIONS

INSTALLATION INSTRUCTIONS
MODEL 547830 / 547831 / 547850 / 547851
P4/Q4/R4 024-072

ROOF INSTRUCTIONS

