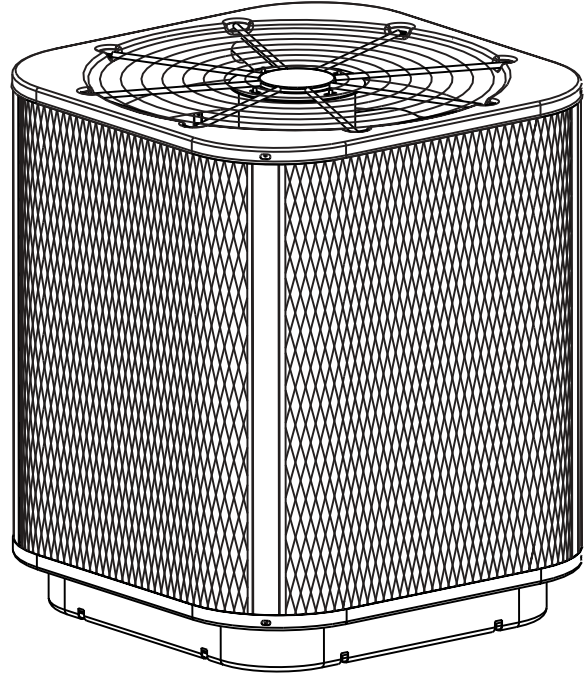


GS3BA Series 10 SEER GS3BC Series 12 SEER 3 Phase Light Commercial High Efficiency Air Conditioner 3, 4, 5 Ton Capacities

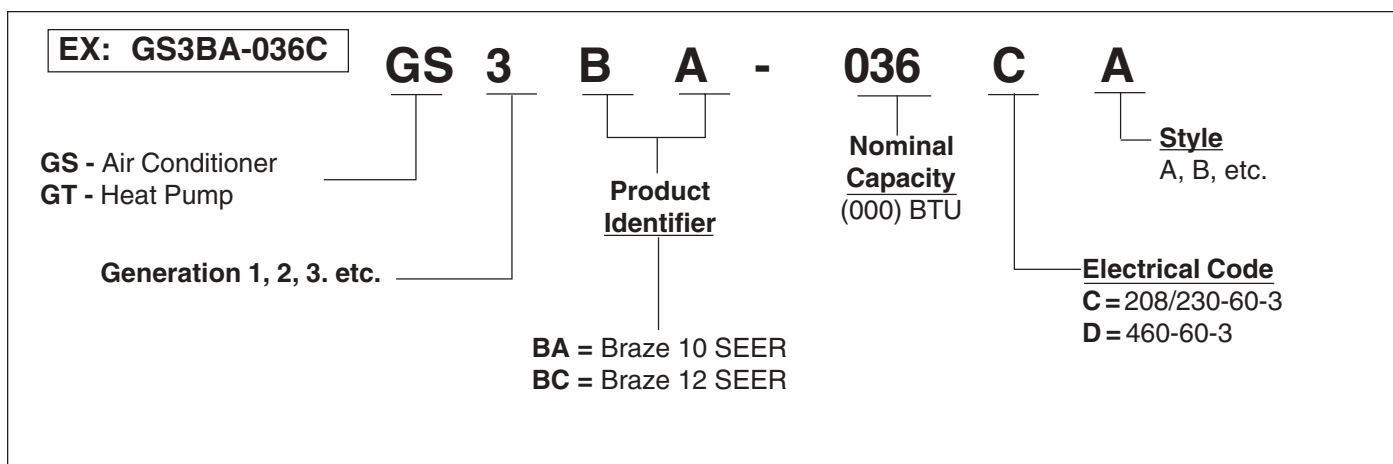
The GS3B(A,C) Series of air conditioners offers exceptional performance from a small, compact package. The unit, when combined with our engineered coils or air handlers, offers a full line of quality, split system cooling equipment. Units are ideally sized for slab or rooftop mounting in light commercial applications.



FEATURES and BENEFITS

- **Designed using galvanized steel** – with a polyester urethane coat finish. The 950 hour salt spray finish resists corrosion 50% better than comparable units.
- **Copper Tube / Aluminum Fin Coils** – Both indoor and outdoor coils are designed to optimize heat transfer, minimize size and cost, and increase durability and reliability.
- **Permanently Lubricated Motor** – A heavy duty PSC motor for long lasting reliability and quiet operation. Requires no maintenance and is completely protected from rain and snow.
- **Full Service Valves** – These brass valves are easily accessible and simplify servicing of the refrigeration system.
- **Plastic Mesh Hail Guard** – A guard that will never rust and protects the units coil from being damaged.
- **Removable Top Grille Assembly** – Allows ease of service from the top without disconnecting fan motor leads.
- **One Piece Top/Orifice** – Designed for maximum airflow and quiet operation.
- **2-1/2" Pedestal Base** – The sturdy base keeps the bottom of the coil out of harms way. Secondly, the base has weep holes along the edge to allow the water from rain to flow away from the unit.
- **Easy Compressor and Control Access** – Designed to make servicing easier for the contractor, access panels are provided to all controls and the compressor from the side of the unit.
- **Warranty** – One year commercial parts warranty.

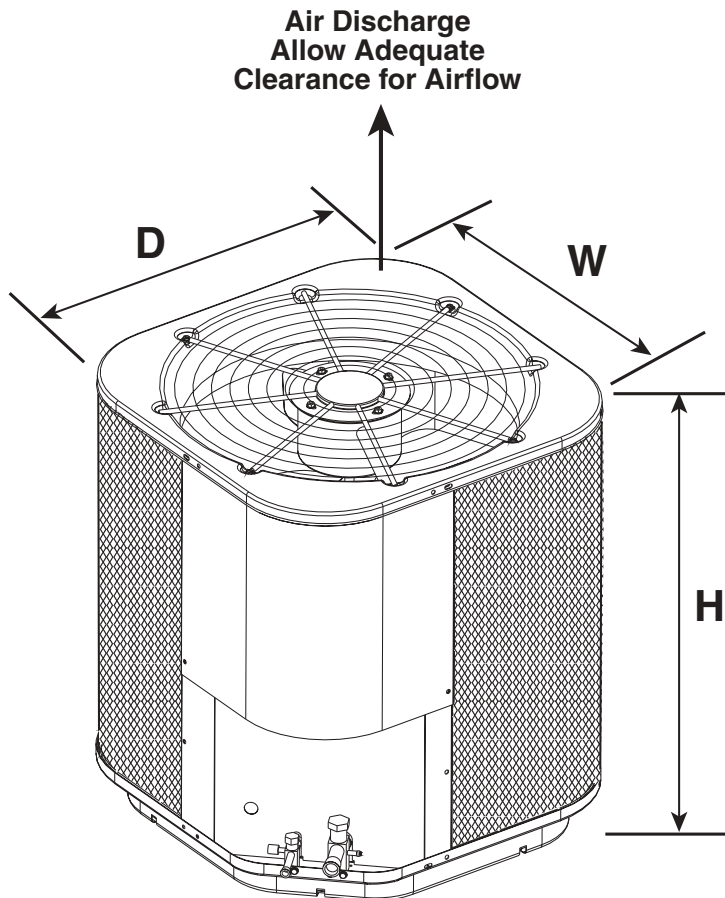
MODEL IDENTIFICATION CODES



DIMENSIONS OUTDOOR SECTION

GS3BA-	036(C,D)A	048(C,D)A	060(C,D)B
H	22-1/2	34-1/2	30-1/2
W	22-1/2	22-1/2	30-1/2
D	22-1/2	22-1/2	30-1/2

GS3BC-	036CA	048CA	060CA
H	34-1/2	34-1/2	42-1/2
W	22-1/2	30-1/2	30-1/2
D	22-1/2	30-1/2	30-1/2



PHYSICAL AND ELECTRICAL SPECIFICATIONS / OUTDOOR UNITS

10 SEER — High Efficiency — Three Phase

Model Number GS3BA-		036CA	048CA	060CB	036DA	048DA	060DB	
Electrical Data	Volts-Cycles-Phase (1)	208/230-60-3	208/230-60-3	208/230-60-3	460-60-3	460-60-3	460-60-3	
	Total Amps	11.3	14.2	20.1	4.9	7	9.8	
	Delay Fuse Max. (2)	20	30	40	15	15	20	
	Min. Circuit Ampacity	13.9	17.4	24.7	6	8.6	12	
Condenser Data	Coil	Area	8.3	15.3	17.7	8.3	15.3	17.7
		Rows-FPI	1-14	1-18	1-22	1-14	1-18	1-22
		Tube Dia	3/8 O.D.	3/8 O.D.	3/8 O.D.	3/8" O.D.	3/8" O.D.	3/8" O.D.
	Fan Motor	Type	PSC	PSC	PSC	PSC	PSC	PSC
		Amps	1.13	1.4	1.5	1.4	1.4	1.4
		Watts-HP	93.25 - 1/8	186.5 - 1/4	186.5 - 1/4	93.25 - 1/8	186.5 - 1/4	186.5 - 1/4
	Fan Blade	Dia-# Blades	18 in. - 3	18 in. - 4	24 in. - 3	18" - 3	18" - 4	24" - 3
		SCFM	2500	3000	4000	2500	3000	4000
	Compressor Data	RLA	10.2	12.8	18.6	4.3	6.4	9
		LRA	75	91	128	40	46	63
Refrigerant suction line O.D.(all length of liquid line are 3/8" O.D.)	0-24 ft.	3/4"	7/8"	7/8"	3/4"	7/8"	7/8"	
	25-39 ft.	3/4"	7/8"	1-1/8" (5)	3/4"	7/8"	1-1/8" (5)	
	40-75 ft.	7/8"(4)	7/8"	1-1/8" (5)	7/8" (4)	7/8"	1-1/8" (5)	
Refrigerant charge (R-22) in ounces for outdoor unit, indoor unit and 15' lineset.		69	115	114	69	115	114	
Weight	Net	128	166	190	128	166	190	
	Approximate (lbs.)	Ship	134	178	202	134	178	202

12 SEER — High Efficiency — Three Phase

Model Number GS3BC-		036CA	048CA	060CA	
Electrical Data	Volts-Cycles-Phase (1)	208/230-60-3	208/230-60-3	208/230-60-3	
	Total Amps	11	13.8	18.7	
	Delay Fuse Max. (2)	20	25	40	
	Min. Circuit Ampacity	13.4	16.9	23	
Condenser Data	Coil	Area	13.2	20.3	25.4
		Rows-FPI	1-22	1-22	1-22
		Tube Dia	3/8" O.D.	3/8" O.D.	3/8" O.D.
	Fan Motor	Type	PSC	PSC	PSC
		Amps	1.4	1.4	1.4
		Watts-HP	186.5 - 1/4	186.5 - 1/4	186.5 - 1/4
	Fan Blade	Dia-# Blades	18" - 4	24" - 3	24" - 3
		SCFM	2800	4000	4000
	Compressor Data	RLA	9.6	12.4	17.3
		LRA	77	88	123
Refrigerant suction line O.D.(all length of liquid line are 3/8" O.D.)	0-24 ft.	3/4" (4)	7/8"	7/8"	
	25-39 ft.	7/8"	7/8"	1-1/8" (5)	
	40-75 ft.	7/8"	7/8"	1-1/8" (5)	
Refrigerant charge (R-22) in ounces for outdoor unit, indoor unit and 15' lineset.		82	110	155	
Weight	Net	142	186	238	
	Approximate (lbs.)	Ship	151	198	250

COPPER WIRE SIZE — AWG (1% Voltage Drop)				
Supply Wire Length-Feet				Supply Circuit Ampacity
200	150	100	50	
6	8	10	14	15
4	6	8	12	20
4	6	8	10	25
4	4	6	10	30
3	4	6	8	35
3	4	6	8	40
2	3	4	6	45
2	3	4	6	50

Wire Size based on N.E.C. for 60° type copper conductors.

- (1) Operating voltage range: 208/230 volts 187 V minimum - 253 V maximum
460 volts 414 V minimum - 506 V maximum
- (2) HACR type circuit breakers may be used
- (3) Requires 3/4" to 5/8" reducer from unit to lineset.
- (4) Requires 7/8" to 3/4" reducer from unit to lineset.
- (5) Requires 1-1/8" to 7/8" reducer from unit to lineset.

SYSTEM HEATING & COOLING CAPACITIES

10 SEER — High Efficiency — Three Phase

Outdoor Unit	With This Coil					
Model Number GS3BA-	Coil GC3BA-	Cooling Btuh	SEER	EER	Nominal CFM	Required Orifice Size
036(C,D)A	036C/U-B (2)	34,600	10	9.0	1350	.067 (1)
048(C,D)A	048C/U-B (2)	46,000	10	9.0	1500	.080 (1)
048(C,D)A	048C/U-C	46,000	10	9.0	1500	.080 (1)
060(C,D)B	060C/U-C (2)	57,000	10	9.0	1800	.093 (1)

Outdoor Unit	With This Air Handler					
Model Number GS3BA-	Air Handler GB3B(M,V)-	Cooling Btuh	SEER	EER	Nominal CFM	Required Orifice Size
036(C,D)A	036K-B	34,600	10	9.0	1350	.067 (1)
048(C,D)A	048K-B	46,000	10	9.0	1600	.080 (1)
060(C,D)B	060K-C	57,000	10	9.0	1700	.093 (1)

12 SEER — High Efficiency — Three Phase

Outdoor Unit	With This Coil					
Model Number GS3BC-	Coil GC3BA-	Cooling Btuh	SEER	EER	Nominal CFM	Required Orifice Size
036CA	042(C,U)-B	34,600	12	9.0	1250	.075 (1)
048CA	060(C,U)-C (2)	46,000	12	9.0	1600	.082 (3)
060CA	060(C,U)-C+TDR (2)	56,000	12	9.0	1700	.093 (1)

Outdoor Unit	With This Air Handler					
Model Number GS3BC-	Air Handler GB3B(M,V)-	Cooling Btuh	SEER	EER	Nominal CFM	Required Orifice Size
036CA	042K-B+TDR	34,600	12	10.6	1250	.075 (1)
048CA	060K-C	46,000	12	11.0	1730	.082 (3)
060CA	066K-C+TDR	56,000	12	10.5	1600	.099 (3)

(1) Supplied with indoor section.

(2) Also available as GC3BH Horizontal Case Coil.

(3) Field supplied.

See current ARI Directory for certified combinations and ratings.

