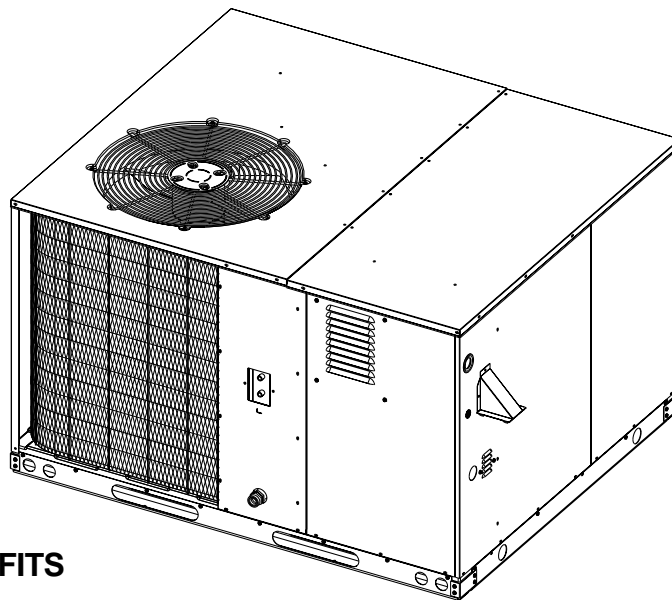

TECHNICAL SPECIFICATIONS

R4GC Series

Single Packaged Gas/Electric Units

R4GC 12 SEER 2 Ton thru 5 Ton Units

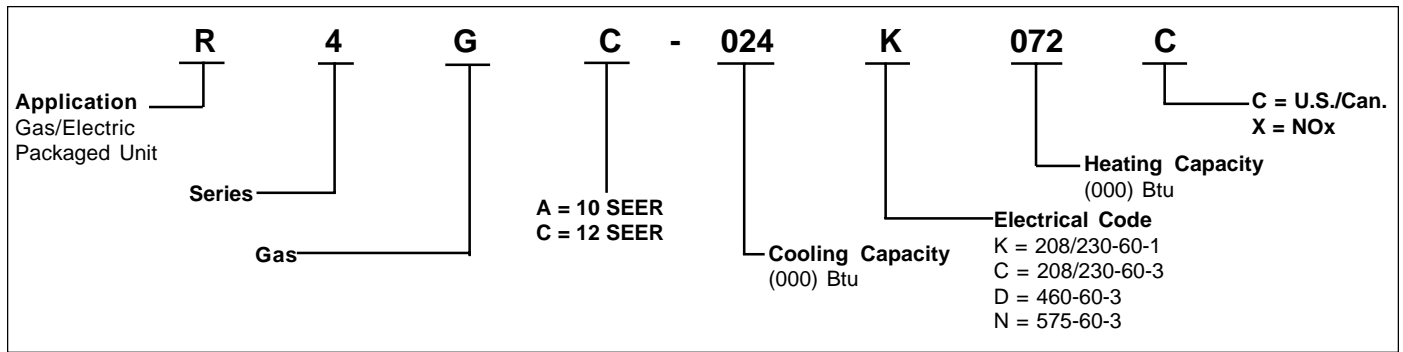
The R4G Series single packaged gas/electrics are high efficiency self contained cooling units that can be installed on the roof or on a slab. The convertible unit design makes installations simple in all applications. Units are ETL and ETLc listed. The unit is truly designed with the contractor and the consumer in mind.



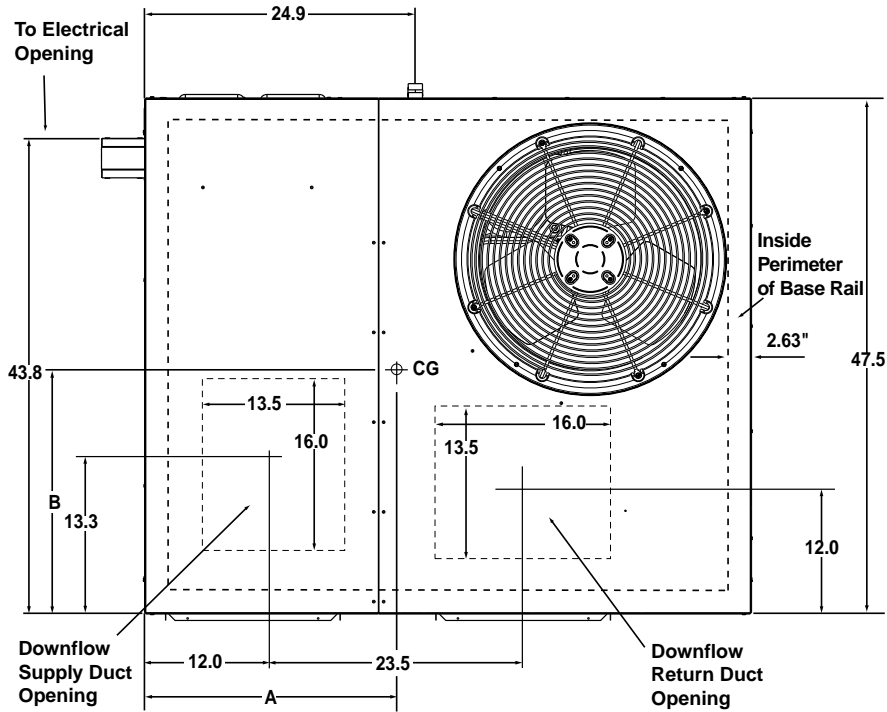
FEATURES AND BENEFITS

- **Compact Footprint/Low Profile**
Easy to handle and transport.
- **Heavy-Gauge, Full Perimeter Base Rails**
Facilitates forklift handling and curb mounting.
- **Convertible Air Delivery**
Horizontal or downflow to accommodate rooftop or horizontal application.
- **Galvanized Steel Cabinet**
with polyurethane finish provides 950 hour salt spray protection to resist corrosion.
- **Plastic Coated Coil Guard and Mesh Hail Guard**
Will never rust and protect the coil from being damaged by balls, lawnmowers, hail etc.
- **Externally Accessible Service Ports**
Quick access to refrigerant system without disrupting operation.
- **Access to Controls and Major Components**
Easy in and out service.
- **Corrosion-Resistant Drain Pan**
Quickly drains away evaporator condensate.
- **Smaller Panels, Great Fit and Finish, Total Seal**
Well-designed, quality construction. Drip edge on top panels whisks away rainwater. Embossed bottom pan keeps blower component compartment dry.
- **Proven, Industry Standard Components**
Easier service and availability.
- **Accessories**
Roof curbs, economizers, fresh air dampers and more.
- **Quiet Operation**
Low vibration.
20" fan blade combined with custom venturi condenser fan.
- **Six Year Residential Parts Warranty**
The best warranty in the business. Extended labor protection plans are available.
- **One Year Commercial Parts Warranty**

MODEL IDENTIFICATION CODE



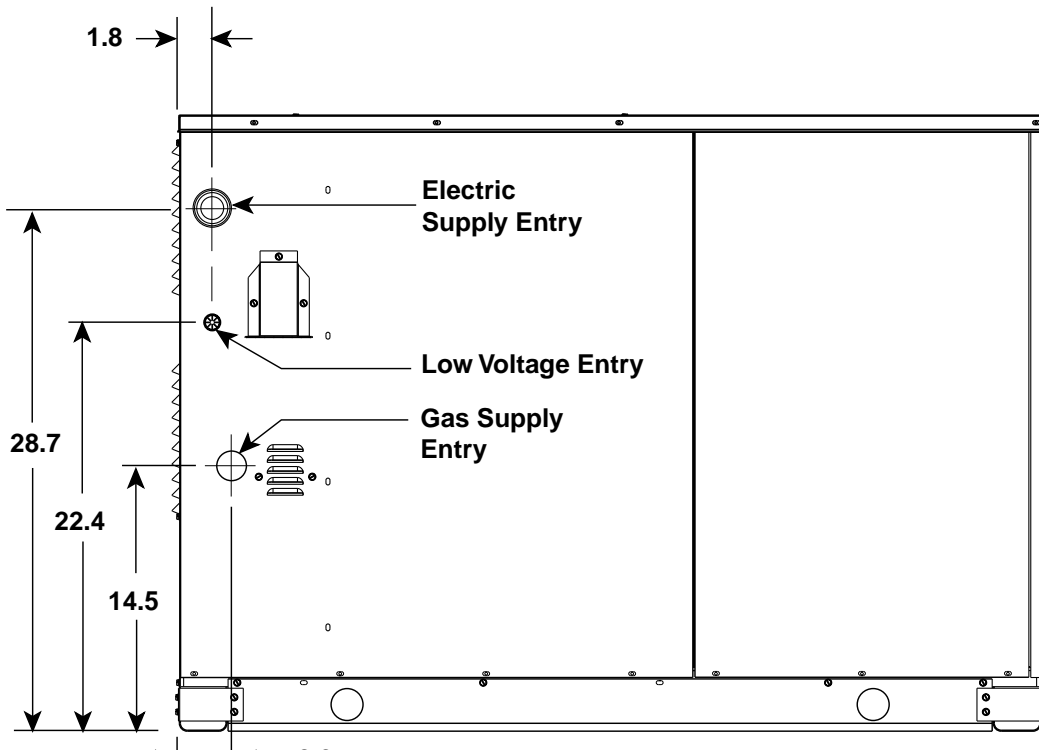
DIMENSIONS



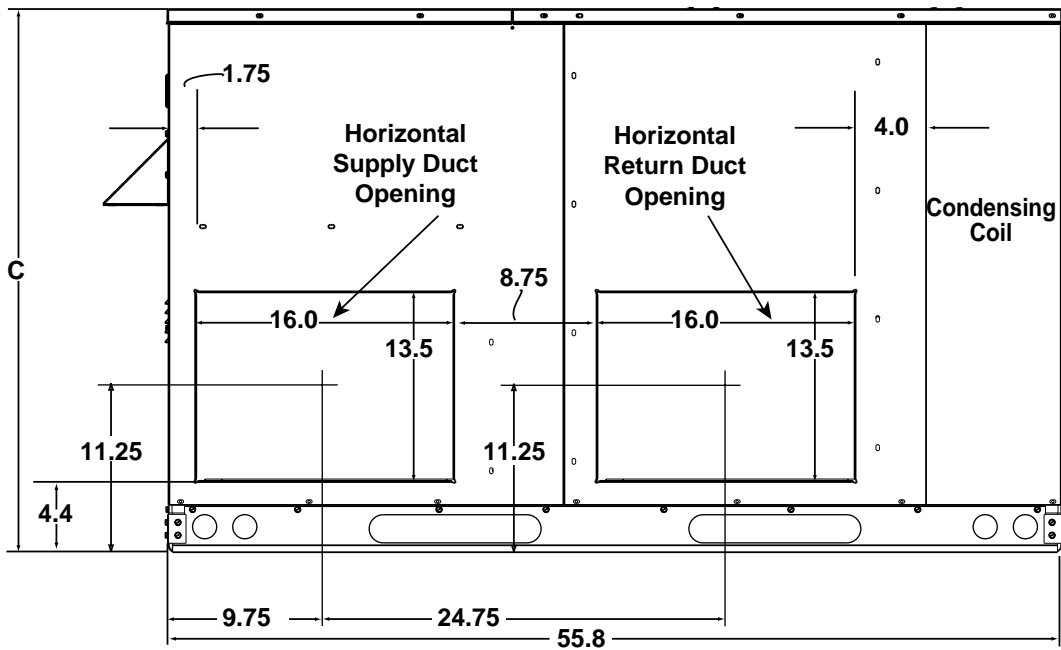
Top View

Model Number R4GC-	Unit Weight	Shipping Weight	Center of Gravity		Height (in inches)	
			A	B	C	
					with base rails	without base rails
024K045C	377	447	26.0	27.0	33.8	31.3
024K072C	397	467	25.5	27.0	33.8	31.3
030K045C	424	494	26.5	26.5	37.8	35.3
030K072C	435	505	26.0	26.5	37.8	35.3
036K072C	444	514	26.0	26.5	37.8	35.3
036K096C	460	530	26.0	27.0	37.8	35.3
042K072C	481	551	27.5	26.5	37.8	35.3
042K096C	500	575	27.0	26.5	37.8	35.3
048K096C	537	607	27.5	26.5	41.8	39.3
048K120C	550	620	27.0	26.5	41.8	39.3
060K096C	558	628	27.5	26.5	41.8	39.3
060K120C	570	640	27.0	26.5	41.8	39.3

DIMENSIONS (Continued)



Side View



Back View

SPECIFICATIONS AND ELECTRICAL DATA

SINGLE PHASE

Model R4GC-	024K045C	024K072C	030K045C	030K072C	036K072C	036K096C	042K072C	042K096C	048K096C	048K120C	060K096C	060K120C
Performance												
Heating Input BTUH	45,000	72,000	45,000	72,000	72,000	96,000	72,000	96,000	96,000	120,000	96,000	120,000
Heating Output BTUH	35,000	56,000	35,000	56,000	56,000	75,000	56,000	75,000	75,000	94,000	75,000	94,000
Capacity -Cooling BTUH	24,000	24,000	28,500	28,500	35,500	35,500	40,000	40,000	46,000	46,000	58,000	58,000
AFUE	78	78	78	78	78	78	78	78	78	78	78	78
Efficiency - SEER	12.00	12.00	12.00	12.00	12.00	12.00	12.00	12.00	12.00	12.00	12.00	12.00
Efficiency - EER	10.6	10.6	10.7	10.7	10.7	10.7	11.0	11.0	10.8	10.8	10.5	10.5
Electrical Rating - 60 Hz												
Phase	1	1	1	1	1	1	1	1	1	1	1	1
Operating Voltage Range	187 - 253	187 - 253	187 - 253	187 - 253	187 - 253	187 - 253	187 - 253	187 - 253	187 - 253	187 - 253	187 - 253	187 - 253
Minimum Circuit Ampacity	16.1	16.1	18.0	18.0	24.3	24.3	26.8	26.8	38.2	38.2	45.6	45.6
Max. Over-current Protection	25	25	30	30	40	40	40	40	60	60	60	60
Compressor Data												
Volts	208 / 230	208 / 230	208 / 230	208 / 230	208 / 230	208 / 230	208 / 230	208 / 230	208 / 230	208 / 230	208 / 230	208 / 230
Rated Load Amps	10.9	10.9	12.4	12.4	16.0	16.0	18.0	18.0	21.4	21.4	32.1	32.1
Lock Rotor Amps	56	56	61	61	82	82	96	96	137	137	169	169
Indoor Blower												
Wheel Diameter	10x6			10x10			11x10					
Type / No. of Speeds	DD / 3	DD / 3	DD / 3	DD / 3	DD / 3	DD / 3	DD / 4	DD / 4	DD / 4	DD / 4	DD / 4	DD / 4
Motor - HP / RPM	1/4 - 1100	1/4 - 1100	1/4 - 1100	1/4 - 1100	1/2 - 1100	1/2 - 1100	1/2 - 1100	1/2 - 1100	3/4 - 1100	3/4 - 1100	3/4 - 1100	3/4 - 1100
Motor - Amps	1.3	1.3	1.3	1.3	3.1	3.1	3.1	3.1	4.0	4.0	4.0	4.0
Outdoor Fan												
Motor - HP / RPM	1/4 - 825	1/4 - 825	1/4 - 825	1/4 - 825	1/4 - 825	1/4 - 825	1/4 - 825	1/4 - 825	1/4 - 825	1/4 - 825	1/4 - 825	1/4 - 825
Motor - Amps	1.2	1.2	1.2	1.2	1.2	1.2	1.2	1.2	1.2	1.2	1.5	1.5
Fan Diameter / CFM	20 / 3500	20 / 3500	20 / 3500	20 / 3500	20 / 3500	20 / 3500	20 / 3500	20 / 3500	20 / 3500	20 / 3500	20 / 3500	20 / 3500
Refrigerant Charge - oz.	67	67	84	84	79	79	157	157	186	186	216	216

AIRFLOW DATA

Model Number R4GC-	Heating Input (Btuh)	Heating Output (Btuh)	Heating Rise Range (F)	Cooling Output (Btuh)	Motor Speed	Blower Size	Motor HP	External Static Pressure (Inches Water Column)																			
								0.1		0.2		0.3		0.4		0.5		0.6		0.7		0.8					
								CFM	Rise	CFM	Rise	CFM	Rise	CFM	Rise	CFM	Rise	CFM	Rise	CFM	Rise	CFM	Rise	CFM	Rise		
024K045(t)	45,000	35,000	30-60	24,000	High Medium Low**	10 X 6	1/4	1172	-	1109	-	1043	31	975	33	903	36	829	39	752	43	672	48	596	54	403	-
024K072(t)	72,000	56,000	40-70	24,000	High Medium Low**	10 X 6	1/4	1160	45	1102	47	1041	50	976	53	908	57	837	62	762	68	684	-	613	-	427	-
030K045(t)	45,000	35,000	30-60	28,500	High** Medium Low*	10 X 6	1/4	1250	-	1194	-	1135	-	1074	30	1010	32	944	34	875	37	805	40	689	47	435	-
030K072(t)	72,000	56,000	40-70	28,500	High** Medium Low*	10 X 6	1/4	1274	41	1220	43	1162	45	1100	47	1033	50	962	54	886	59	806	65	708	-	484	-
036K072(t)	72,000	56,000	40-70	35,500	High Medium Low**	10 X 10	1/2	2182	-	2107	-	2015	-	1906	-	1779	-	1636	-	1475	-	1298	43	1125	50	900	60
036K096(t)	96,000	75,000	45-75	35,500	High Medium Low**	10 X 10	1/2	2128	-	2037	-	1930	-	1808	-	1671	-	1518	46	1351	51	1168	59	1089	64	911	-
042K072(t)	72,000	56,000	40-70	40,000	High Medium** Low*	10 X 10	1/2	1907	-	1853	-	1773	-	1677	-	1564	-	1435	40	1288	43	1125	50	900	60	-	-
042K096(t)	96,000	75,000	45-75	40,000	High Medium** Low*	10 X 10	1/2	2182	-	2037	-	1930	-	1808	-	1671	-	1518	46	1351	51	1168	59	1089	64	911	-
048K096(t)	96,000	75,000	45-75	46,000	High Med-High Med-Low**	11 X 10	3/4	2360	-	2267	-	2175	-	2082	-	1989	-	1897	-	1804	-	1711	45	1566	48	1325	56
048K120(t)	120,000	94,000	45-75	46,000	High Med-High Med-Low**	11 X 10	3/4	2125	-	2051	-	1972	45	1888	46	1799	48	1706	51	1608	54	1506	58	1226	71	995	-
060K096(t)	96,000	75,000	45-75	58,000	High Med-High** Med-Low* Low	11 X 10	3/4	2360	-	2267	-	2175	-	2082	-	1989	-	1897	-	1804	-	1711	45	1566	48	1325	56
060K120(t)	120,000	94,000	45-75	58,000	High Med-High** Med-Low* Low	11 X 10	3/4	2125	-	2051	-	1972	45	1888	46	1799	48	1706	51	1608	54	1506	58	1226	71	995	-

* - Factory Set Heating Speed
 ** - Factory Set Cooling Speed
 † - Can be C, X, S, or Z

R4GC ACCESSORIES

Description	Part Number
Roof Curb (8")	547830
Roof Curb (14")	547831
Roof Curb (18")	547850
Roof Curb (24")	547851
Cap, Duct Adapter, 12" Round	913811A
Cap, Duct Adapter, 14" Round	913812A
Circuit Breaker, disconnect 3 phase	913740
Concentric diffuser, flush, 16"	547836
Concentric diffuser, flush, 18"	547837
Supply/return transition, 16"	547834
Supply/return transition, 18"	547835
Concentric diffuser, step down 16"	547838
Concentric diffuser, step down 18"	547839
CO2 sensors (special order)	547848
Economizer, downflow 3-position w/filter	547897
Economizer, downflow w/filter (does not require filter kit) modulating	547833
Economizer, horizontal (special order) modulating	547841
Economizer, horizontal 3-position w/filter	547896
Power Exhaust horizontal economizer (special order)	547843
Power Exhaust, downflow economizer (special order)	547842
Manual Fresh Air Damper	547832
Motorized Fresh Air Damper	547840
Filter Kit (not required with economizer) R4GA 024 -042, R4GC 024, P4SA 036	547886
Filter Kit (not required with economizer) P4SA 048, P4SC 036, Q4SA 036	547887
Filter Kit (not required with economizer) R4GA 048 - 060, R4GC 030 - 042, P4SA 060, P4SC 048 - 060, Q4SA 048 - 060, Q4SC 036	547888
Filter Kit (not required with economizer) R4GC 048 - 060, Q4SC 048 - 060	547889
Filter Rack, All Downflow Applications (not required with economizer)	547885
Hood Type Hail Guard, Coil Dim. 30" X 60" P4SA036, R4GA024, 030, 036, 042, R4GC024	547844
Hood Type Hail Guard, Coil Dim. 30" X 76" P4SA048, P4SC036, Q4SA036	547845
Hood Type Hail Guard, Coil Dim. 34" X 76" P4SA060, P4SC048, 060, Q4SA048, 060, Q4SC036, R4GA048, 060, R4GC030, 036, 042	547846
Hood Type Hail Guard, Coil Dim. 38" X 76" 060, R4GC048, 060	Q4SC048, 547847
Low Ambient Kit	913549A
High Pressure Switch Kit	913550
Low Pressure Switch Kit	913551
LP Gas Conversion Kit, Canadian (0 to 4,500 ft above sea level)	903617
LP Gas Conversion Kit, U.S. (0 ft to 10,000 ft above sea level)	903616
Outdoor Thermostat Kit	913852
Smoke Detector, Duct Mount, Photo Electric Type	547892
Smoke Detector, Multi Signal Control	547893
Smoke Detector, Sampling Tube ST3	547894
Smoke Detector, Sampling Tube ST5	547895
Universal Hard Start Kit	912933

We Encourage
Professionalism

Through Technician
Certification by NATE



St. Louis, MO

NORDYNE

488A-1101 (Replaces 488A-0101)

Before purchasing this appliance, read important energy cost and efficiency information available from your retailer. Specifications and illustrations subject to change without notice and without incurring obligations. Printed in U.S.A. (11/01)