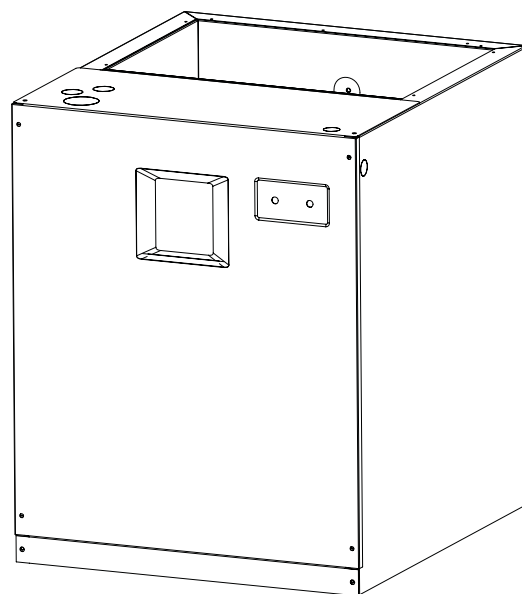


MB5(B,V)M Series Modular Indoor Blower 13+ SEER Residential System 18,000 - 60,000 Btuh (Heat Pump & Air Conditioner)

The MB5 Series Modular Indoor Blower offers exceptional flexibility for space restricted applications. Match the MB5 with our cased coils to create upflow, downflow, and horizontal two-piece air handlers.

FEATURES and BENEFITS

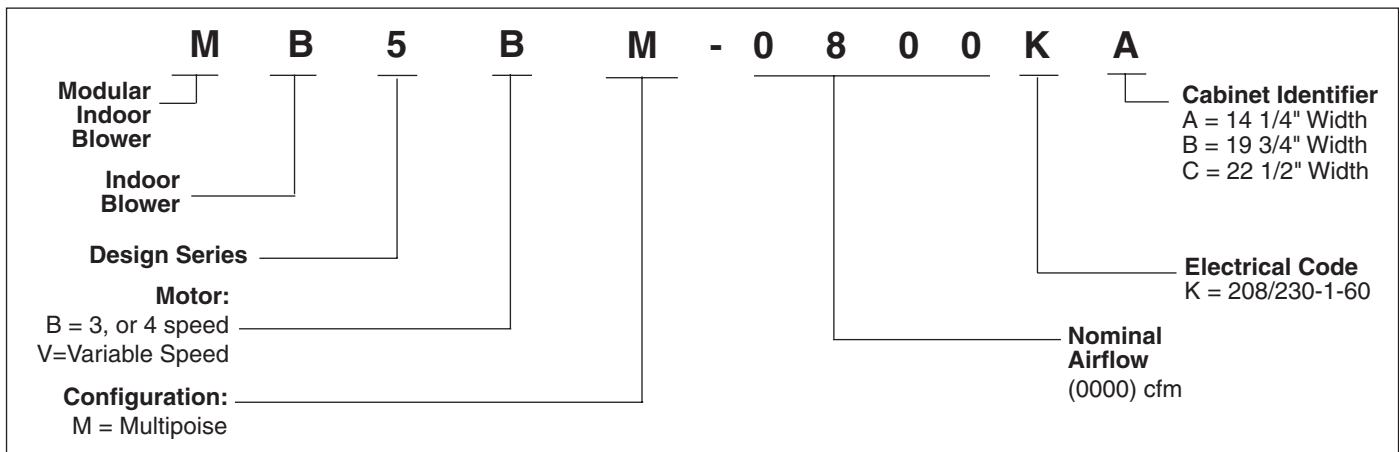
- **Durable, Attractive Cabinet** — Designed using galvanized steel. The door is also galvanized steel, with a polyester urethane finish. The 950 hour salt spray finish resists corrosion 50% better than comparable units. The plastic drain pan is corrosion-resistant.
- **Multi-poised** — Can be used in horizontal, upflow, downflow and vertical applications.
- **Multi-speed** — Gives flexibility of installation.
- **Ease-of-Service** — Plug-in wire connections and modularity make the air handler easy to service.
- **Plug-in Heater Kits**— Available in 5kw - 20kw
- **Circuit Board** — Incorporating blower time delay relay, low voltage terminal strip, and heat-strip sequencing.
- **Air Handler Control Board** — Controls time-sequencing of heat stages with field-selectable sequence timing.
- **Breaker Accessibility** — Breaker accessible from front of unit when heater is applied.
- **No Fasteners on Sides** — Smooth surfaces for ease of installation.
- **Cabinet Insulation** — 1/2" insulation contributes to quiet operation and prevents cabinet sweating in difficult applications.
- **Warranty** — Eight year limited all parts warranty, a major benefit to the consumer.



Additional MB5VM Features:

- **Increased Efficiencies** — Air conditioning and heat pump efficiencies up to 14 SEER and 8.5 HSPF.
- **ECM Variable Speed Motor** — Advanced technology allows for 12 selected cooling airflows and 4 heating airflows to match any application.
- **Quiet Blower Operation** — Extra quiet and smooth blower on and off cycles.
- **Constant Airflow** — Motor automatically adjusts to different static loads.
- **Field selectable delay profiles** — Increase efficiency and comfort.
- **Reduced air stratification** — This results in improved air quality by optimizing humidity removal and filtration capabilities.

MODEL IDENTIFICATION CODE



ELECTRICAL DATA

Model Number H6HK-	Voltage	KW	Standard Air Handler (A & B size)				Variable Speed & Std Air Handler (C size)											
			Min. Circuit Ampacity		Max. Over-Current Protection		Min. Circuit Ampacity		Max. Over-Current Protection									
			Circuit A	Circuit B	Circuit C	Single Circuit	Circuit A	Circuit B	Circuit C	Single Circuit	Circuit A	Circuit B	Circuit C	Single Circuit				
005H-XX	240	4.8	-	-	-	30	-	-	-	30	-	-	-	34	-	-	-	40
008H-XX	240	7.5	-	-	-	45	-	-	-	50	-	-	-	48	-	-	-	50
010H-XX	240	9.6	-	-	-	55	-	-	-	60	-	-	-	59	-	-	-	60
015H-XX	240	14.4	55	25	-	80	60	30	-	90	59	25	-	83	60	30	-	90
020H-XX	240	19.2	55	50	-	105	60	60	-	125	59	50	-	109	60	60	-	125
025H-XX	240	24.0	-	-	-	-	-	-	-	-	59	50	25	134	60	60	30	150
030H-XX	240	28.8	-	-	-	-	-	-	-	-	59	50	50	159	60	60	60	175
005H-XX	208	3.6	-	-	-	27	-	-	-	30	-	-	-	30	-	-	-	40
008H-XX	208	5.6	-	-	-	39	-	-	-	40	-	-	-	42	-	-	-	50
010H-XX	208	7.2	-	-	-	48	-	-	-	50	-	-	-	52	-	-	-	60
015H-XX	208	10.8	48	21	-	70	50	25	-	80	52	22	-	73	60	25	-	80
020H-XX	208	14.4	48	43	-	92	50	50	-	100	52	43	-	95	60	50	-	100
025H-XX	208	18.0	-	-	-	-	-	-	-	-	52	43	22	117	60	50	25	125
030H-XX	208	21.6	-	-	-	-	-	-	-	-	52	43	43	138	60	50	50	150
009Q-XX	240	9.0	-	-	-	32	-	-	-	40	-	-	-	36	-	-	-	40
015Q-XX	240	14.4	-	-	-	48	-	-	-	50	-	-	-	52	-	-	-	60
009Q-XX	208	6.8	-	-	-	29	-	-	-	30	-	-	-	32	-	-	-	40
015Q-XX	208	10.8	-	-	-	43	-	-	-	50	-	-	-	46	-	-	-	50

ACCESSORIES

Accessory Kit Description	Cabinet Size			Order Number
	A	B	C	
Single circuit adaptor for 2 circuit breakers	X	X	X	913874
Single circuit adaptor for 3 circuit breakers	n/a	n/a	X	913556

¹ Required for 042 models

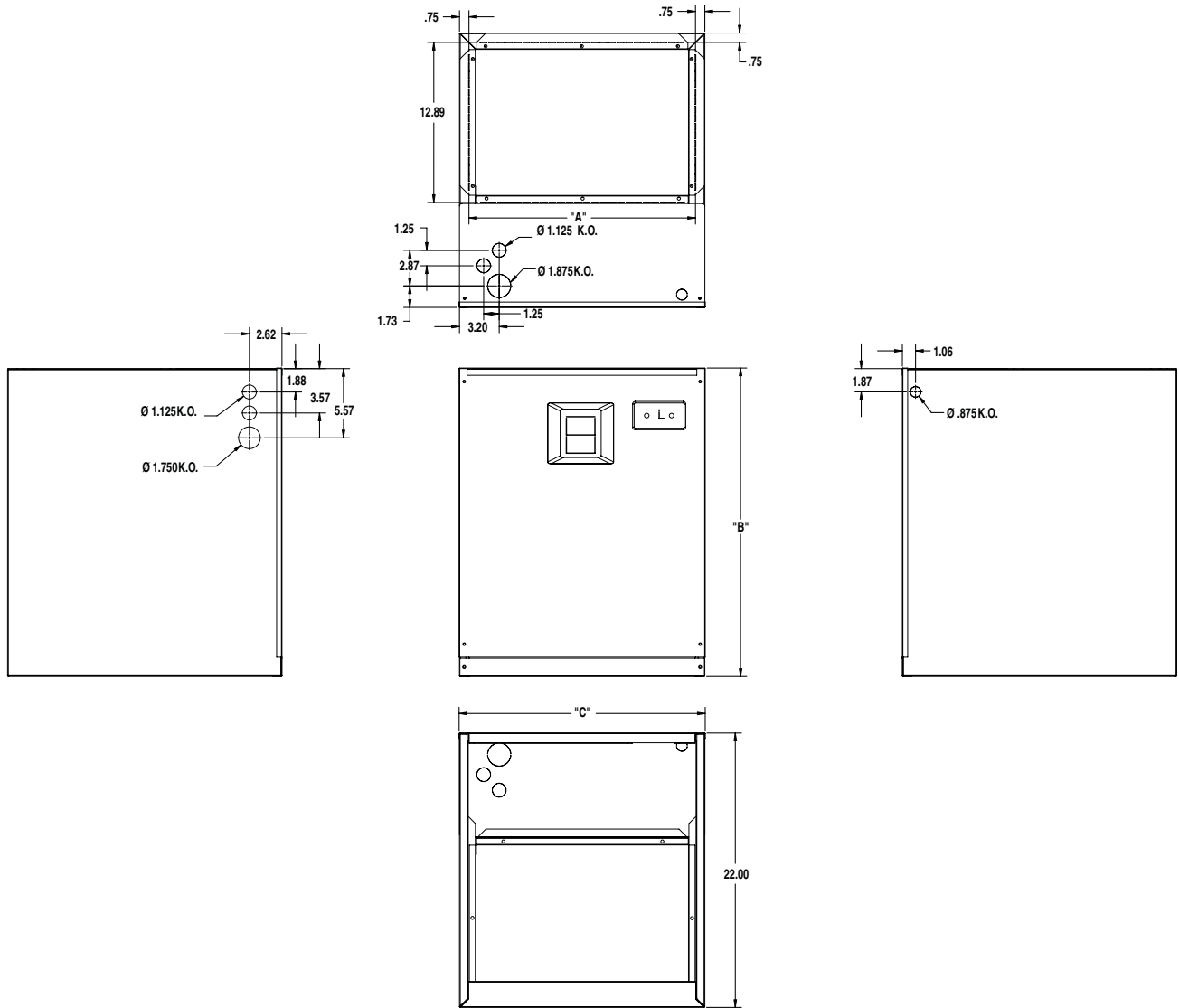
240V Single-Phase Heater Kit Application

Nominal KW	Matched Units					Order Number	
	*800-A	*1200-A	*1200-B	*1600-B	*2000-C	With Circuit Breakers	Without Circuit Breakers
5	X	X	X	X	X	904407	904406
8	X	X	X	X	X	904409	904408
10	X	X	X	X	X	904412	904411
15	n/a	X	X	X	X	904414	n/a
20	n/a	n/a	X	X	X	904416	n/a
25	n/a	n/a	n/a	n/a	X	904417	n/a
30	n/a	n/a	n/a	n/a	X	904418	n/a

240V Three-Phase Heater Kit Application

Nominal KW	Matched Units					Order Number	
	*800-A	*1200-A	*1200-B	*1600-B	*2000-C	With Circuit Breakers	Without Circuit Breakers
9	X	X	X	X	X	904410	n/a
15	n/a	X	X	X	X	904415	n/a

DIMENSIONS



SPECIFICATIONS

Model Number MB5-	BM-0800-A	BM-1200-A	BM-1200-B	BM-1600-B	BM-2000-C	VM-1200-A	VM-1600-B	VM-2000-C
Nominal cooling capacity - BTUh ¹	24000	30000	36000	42000	60000	30000	42000	60000
Maximum Available Auxiliary Heat	10	15	20	20	30	10	20	30
Nominal Blower Size (Dia. x Width)	10 x 6	10 x 6	10 x 8	10 x 8	11 x 10	10 x 6	11 x 8	11 x 10
Motor Hp-speeds-type	1/5-3-PSC	1/3-3-PSC	1/3-3-PSC	1/3-3-PSC	3/4-3-PSC	1/2-VS	1/2-VS	3/4-VS
Approximate Shipping Weight, lbs	50	50	60	60	73	50	60	73
Height, "H", in.	24-3/4	24-3/4	24-3/4	24-3/4	27-1/2	24-3/4	24-3/4	27-1/2
Width, "W", in.	14-1/4	14-1/4	19-3/4	19-3/4	22-1/2	14-1/4	19-3/4	22-1/2
Supply Air Outlet Dimension, in.	12-7/8 x 12-3/4	12-7/8 x 12-3/4	12-7/8 x 18-1/4	12-7/8 x 18-1/4	12-7/8 x 21	12-7/8 x 12-3/4	12-7/8 x 18-1/4	12-7/8 x 21

¹ See current ARI Directory for certified combinations and ratings.

BLOWER PERFORMANCE DATA

		Dry Coil ESP	0.10	0.20	0.30	0.40	0.50	0.60	0.70	0.80
0800 A-Cabinet	Low	683	647	607	563	515	463	406	345	
	<i>Corrected ESP*</i>		<i>0.07</i>	<i>0.19</i>	<i>0.30</i>	<i>0.42</i>	<i>0.53</i>	<i>0.65</i>	<i>0.76</i>	
	Medium	861	823	781	734	682	625	564	498	
	<i>Corrected ESP*</i>			<i>0.11</i>	<i>0.23</i>	<i>0.36</i>	<i>0.48</i>	<i>0.60</i>	<i>0.72</i>	
	High	1072	1026	975	920	860	797	730	659	
	<i>Corrected ESP*</i>				<i>0.14</i>	<i>0.27</i>	<i>0.40</i>	<i>0.53</i>	<i>0.67</i>	
		Dry Coil ESP	0.10	0.20	0.30	0.40	0.50	0.60	0.70	0.80
1200 A-Cabinet	Low	849	825	793	753	704	647	581	508	
	<i>Corrected ESP*</i>		<i>0.04</i>	<i>0.15</i>	<i>0.27</i>	<i>0.38</i>	<i>0.50</i>	<i>0.62</i>	<i>0.74</i>	
	Medium	1118	1087	1046	997	940	874	799	717	
	<i>Corrected ESP*</i>			<i>0.04</i>	<i>0.17</i>	<i>0.29</i>	<i>0.42</i>	<i>0.55</i>	<i>0.68</i>	
	High	1277	1233	1184	1130	1070	1005	935	860	
	<i>Corrected ESP*</i>				<i>0.10</i>	<i>0.23</i>	<i>0.36</i>	<i>0.49</i>	<i>0.63</i>	
		Dry Coil ESP	0.10	0.20	0.30	0.40	0.50	0.60	0.70	0.80
1200 B-Cabinet	Low	708	690	664	628	584	532	471	401	
	<i>Corrected ESP*</i>		<i>0.08</i>	<i>0.19</i>	<i>0.30</i>	<i>0.41</i>	<i>0.53</i>	<i>0.64</i>	<i>0.76</i>	
	Medium	909	904	886	854	810	753	683	600	
	<i>Corrected ESP*</i>			<i>0.10</i>	<i>0.22</i>	<i>0.33</i>	<i>0.46</i>	<i>0.58</i>	<i>0.71</i>	
	High	1118	1132	1126	1101	1056	992	908	805	
	<i>Corrected ESP*</i>				<i>0.09</i>	<i>0.22</i>	<i>0.35</i>	<i>0.49</i>	<i>0.64</i>	
		Dry Coil ESP	0.10	0.20	0.30	0.40	0.50	0.60	0.70	0.80
1600 B-Cabinet	Low	1324	1302	1271	1233	1187	1134	1072	1003	
	<i>Corrected ESP*</i>		<i>0.06</i>	<i>0.17</i>	<i>0.27</i>	<i>0.38</i>	<i>0.49</i>	<i>0.61</i>	<i>0.72</i>	
	Medium	1485	1455	1418	1373	1320	1260	1193	1118	
	<i>Corrected ESP*</i>			<i>0.13</i>	<i>0.24</i>	<i>0.36</i>	<i>0.47</i>	<i>0.58</i>	<i>0.70</i>	
	High	1637	1601	1558	1506	1447	1380	1305	1223	
	<i>Corrected ESP*</i>				<i>0.21</i>	<i>0.33</i>	<i>0.44</i>	<i>0.56</i>	<i>0.68</i>	
		Dry Coil ESP	0.10	0.20	0.30	0.40	0.50	0.60	0.70	0.80
2000 C-Cabinet	Low	1880	1820	1750	1680	1610	1540	1460	1390	
	<i>Corrected ESP*</i>		<i>0.11</i>	<i>0.22</i>	<i>0.33</i>	<i>0.44</i>	<i>0.55</i>	<i>0.65</i>	<i>0.76</i>	
	Medium	2030	1970	1900	1830	1750	1670	1590	1510	
	<i>Corrected ESP*</i>				<i>0.25</i>	<i>0.36</i>	<i>0.47</i>	<i>0.58</i>	<i>0.69</i>	
	High	2130	2100	2020	1920	1850	1770	1690	1600	
	<i>Corrected ESP*</i>					<i>0.29</i>	<i>0.40</i>	<i>0.51</i>	<i>0.62</i>	

Notes:

- 1) Airflow is shown in cfm, +/- 5%.
- 2) External static pressure (ESP) is shown in inches w.c.
- 3) See unit nameplate or installation instructions for maximum recommended external static pressure.

* ESP estimate with wet coil and filter

AIRFLOW SELECTION FOR VARIABLE SPEED MODELS

Basic Airflow Setting

A-CABINET						B-CABINET						C-CABINET							
CFM	Switch Number			Nominal Capacity		CFM	Switch Number			Nominal Capacity		CFM	Switch Number			Nominal Capacity			
	1	2	3	4	1.5		2.0	2.5	3.0	3.5	4.0		1	2	3	4	3.0	3.5	4.0
540	0	0	0	1		720	0	0	0	1		1075	0	0	0	1			
600	0	0	0	0		800	0	0	0	0		1135	1	0	0	1			
660	0	0	1	0		850	1	0	0	1		1225	0	0	0	0			
715	1	0	0	1		880	0	0	1	0		1295	1	0	0	0			
790	1	0	0	0		945	1	0	0	0		1380	0	0	1	0			
870	1	0	1	0		1040	1	0	1	0		1460	1	0	1	0			
915	0	1	0	1		1085	0	1	0	1		1525	0	1	0	1			
955	1	1	0	1		1140	1	1	0	1		1625	1	1	0	1			
1015	0	1	0	0		1205	0	1	0	0		1740	0	1	0	0			
1060	0	1	1	0		1265	1	1	0	0		1860	1	1	0	0			
1075	1	1	0	0		1325	0	1	1	0		1960	0	1	1	0			
1165	1	1	1	0		1390	1	1	1	0		2090	1	1	1	0			

Note: 1 = ON, 0 = OFF



CERTIFICATION APPLIES ONLY WHEN THE COMPLETE SYSTEM IS LISTED WITH ARI



Westinghouse products are manufactured and distributed by NORDYNE.

W and Westinghouse are trademarks of Westinghouse Electric Corporation and used under license to NORDYNE.