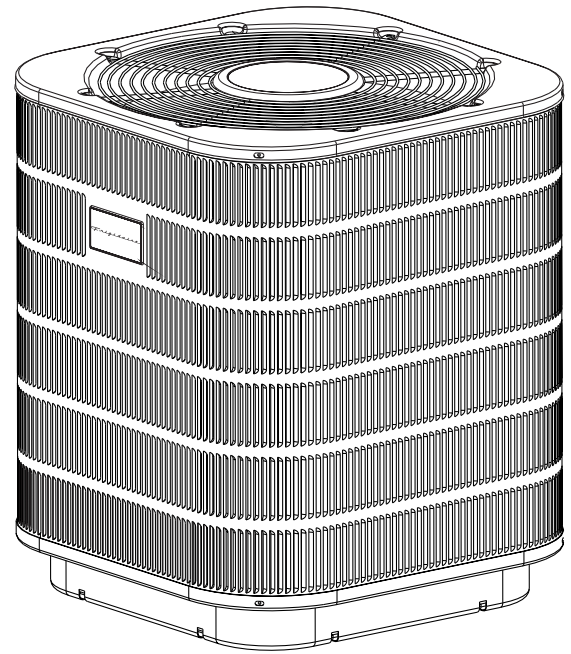


## **FT5BU Series High Efficiency Heat Pumps 13 SEER Residential System 1-1/2 – 5 Ton Capacity**

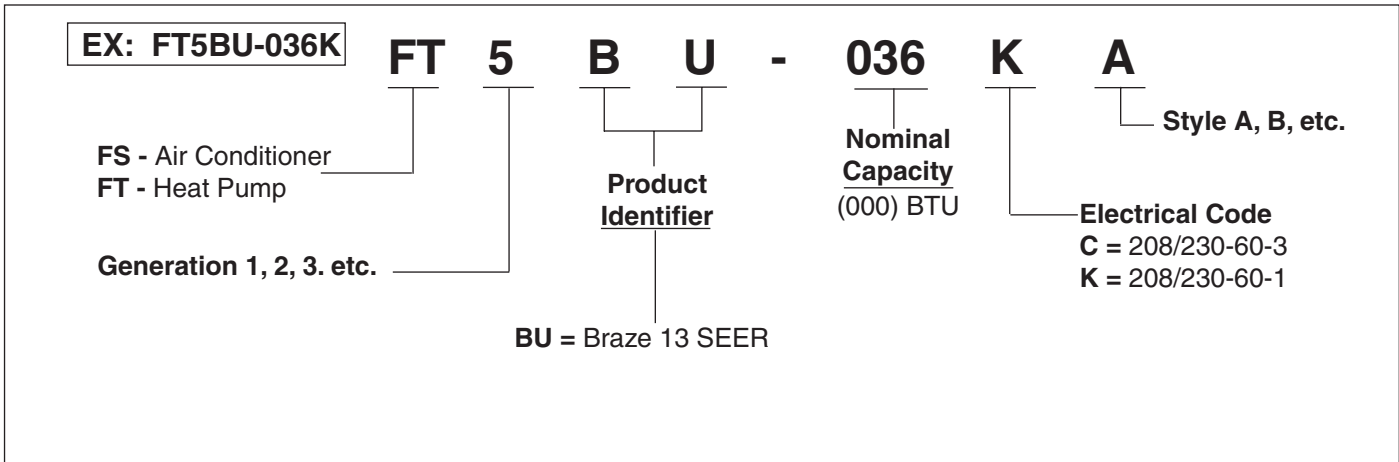
The FT5BU Series of heat pumps offers exceptional performance from a small, compact package. The heat pump, when combined with our engineered coils or air handlers, offers a full line of quality, split system heating and cooling equipment. Units are ideally sized for slab or rooftop mounting in single, multifamily, and light commercial applications.

### **FEATURES and BENEFITS**

- **Designed using galvanized steel** – with a polyester urethane coat finish. The 950 hour salt spray finish resists corrosion 50% better than comparable units.
- **Copper Tube / Aluminum Fin Coils** – Both indoor and outdoor coils are designed to optimize heat transfer, minimize size and cost, and increase durability and reliability.
- **Permanently Lubricated Motor** – A heavy duty PSC motor for long lasting reliability and quiet operation. Requires no maintenance and is completely protected from rain and snow.
- **Full Service Valves** – These brass valves are easily accessible and simplify servicing of the refrigeration system.
- **Louvered Condenser Guard** – Durable metal guard protects the coil from yard hazards and extreme weather.
- **Time /Temperature Defrost** – A reliable, industry standard control offers various time settings to meet any type climate.
- **Removable Top Grille Assembly** – Allows ease of service from the top without disconnecting fan motor leads.
- **One Piece Top/Orifice** – Designed for maximum airflow and quiet operation.
- **Common Suction Service Port** – This port allows the contractor to read the suction pressure in all modes of operation without removing any panels, saving time and increasing serviceability.
- **2-1/2" Pedestal Base** – The sturdy base keeps the bottom of the coil out of harms way. Secondly, the base has weep holes along the edge to allow the water from the defrosting coil and rain to flow away from the unit.
- **Five Minute Restart Time Delay** – When the unit shuts down, a five minute delay keeps the unit from restarting, eliminating the highest cause for compressor failure.
- **Suction Accumulator** – Protection from liquid flood back and future compressor failures. All Models have scroll compressors.
- **Hot Gas Muffler** – Reduces compressor noise and vibration.
- **Easy Compressor and Control Access** – Designed to make servicing easier for the contractor, access panels are provided to all controls and the compressor from the side of the unit.
- **5 Year Limited All Parts Warranty**



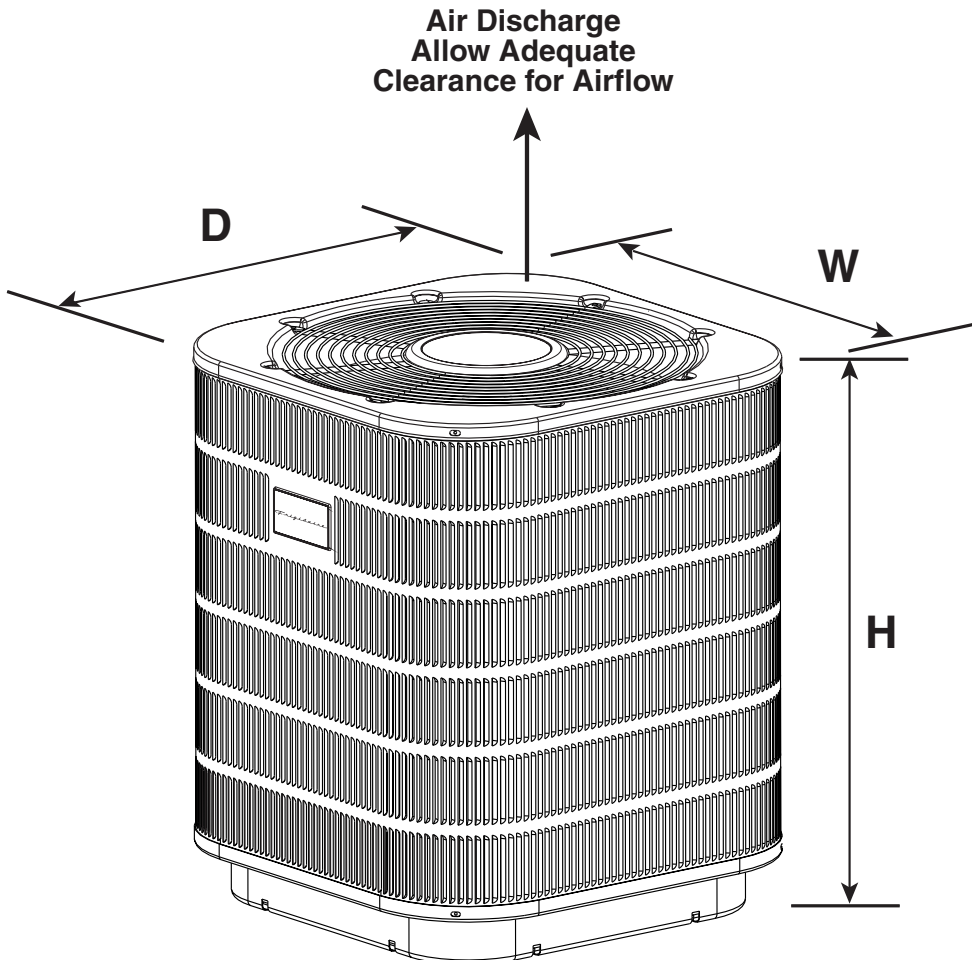
# MODEL IDENTIFICATION CODES



## DIMENSIONS

### HEAT PUMP OUTDOOR SECTION

FT5BU-	018	024	030	036	042	048	060
H	26 1/2	30 1/2	34 1/2	38 1/2	42 1/2	38 1/2	42 1/2
W	22 1/2	30 1/2	30 1/2	30 1/2	30 1/2	30 1/2	30 1/2
D	22 1/2	30 1/2	30 1/2	30 1/2	30 1/2	30 1/2	30 1/2



# PHYSICAL AND ELECTRICAL SPECIFICATIONS / OUTDOOR UNITS

## 13 SEER — High Efficiency — Single Phase

Model No. FT5BU-		018	024	030	036	042	048	060	
<b>Electrical</b>	Volts-Cycles-Phase (1)	208/230-60-1	208/230-60-1	208/230-60-1	208/230-60-1	208/230-60-1	208/230-60-1	208/230-60-1	
<b>Data</b>	Total Amps	10.3	11.6	13.6	17.4	19.4	20.7	30.3	
	Delay Fuse Max. (2)	20	20	25	35	40	40	60	
	Min. Circuit Ampacity	12.6	14.2	16.6	21.4	23.9	25.5	37.5	
<b>Component Data</b>	Coil	Area	9.87	17.9	20.4	23.0	25.5	23.0	25.5
		Rows-FPI	1-18	1-18	1-18	1-20	1-20	2-16	2-16
		Tube Dia.	3/8 O.D.	3/8 O.D.	3/8 O.D.	3/8 O.D.	3/8 O.D.	3/8 O.D.	3/8 O.D.
	Fan Motor	Type	PSC	PSC	PSC	PSC	PSC	PSC	PSC
		Amps	0.34	1.4	1.4	1.4	1.5	1.5	1.5
		Watts-HP	37 1/20	245	245	245	300	300	300
	Fan Blade	Dia.-#Blades	18 in. - 3	24 in. - 3	24 in. - 3	24 in. - 3	24 in. - 3	24 in. - 3	24 in. - 3
		SCFM	2000	3300	3300	3300	4000	4000	4000
	Compressor Data*	RLA	10.0	10.2	12.2	16.0	17.9	19.2	28.8
		LRA	42	56	67	88	104	137	169
<b>Refrigerant Suction Line- Length/O.D. (Liq. Line All Lengths - 3/8" O.D.)</b>	15 - 24 ft.	5/8" (3)	5/8" (3)	3/4"	3/4"	3/4"	7/8"	7/8"	
	25 - 39 ft.	3/4"	3/4"	3/4"	3/4"	7/8" (4)	7/8"	1 1/8" (5)	
	40 - 75 ft.	3/4"	3/4"	3/4"	7/8" (4)	7/8" (4)	7/8"	1 1/8" (5)	
<b>Refrigerant Charge R-22 Ounces</b>	(Outdoor unit, Indoor Unit, 15' Line Set)	72	112	133	146	162	240	264	
<b>Weight Approximate (lbs.)</b>	Net	162	170	178	188	204	253	282	
	Ship	174	182	190	200	216	265	294	

\* Values shown are most severe and may vary slightly depending on the make of compressor supplied.

- (1) Operating Voltage Range: 198v min. - 253v max.  
 (2) HACR type circuit breakers may be used.  
 (3) Requires 3/4" to 5/8" reducer from unit to line.  
 (4) Requires 7/8" to 3/4" reducer from unit to line.  
 (5) Requires 7/8" to 1 1/8" reducer from unit to line.

## ACCESSORIES - Condensing Unit

### Start Assist Kit - 912933

Provides additional starting torque for the compressor motor when operating with low line voltage or high operating temperatures.

### Snow Stand

Plastic-coated, molded wire stand which elevates units 7-1/4" above ground level.

**913145** - (018 through 060) Shipped six (6) per box.

### Outdoor Thermostat - 913235

Two-stage logic provides ability to lock out electric strips down to balance point and bring on in stages.

### Fan Delay Kit (TDR)

**911758** - 80-second fan delay

### Liquid Line Solenoid Kit (LLS)

**912650** - Required on some models

COPPER WIRE SIZE — AWG (1% Voltage Drop)				
Supply Wire Length-Feet				Supply Circuit Ampacity
200	150	100	50	
6	8	10	14	15
4	6	8	12	20
4	6	8	10	25
4	4	6	10	30
3	4	6	8	35
3	4	6	8	40
2	3	4	6	45
2	3	4	6	50

Wire Size based on N.E.C. for 60° type copper conductors.

# 13 SEER — High Efficiency — Single Phase

Model Number T5BU-	Model Number	Cooling Capacity (Btu/h)	SEER Rating	Heating Capacity (Btu/h) @ 47°	HSPF	Heating Capacity (Btu/h) @ 17°	Nominal Airflow (SCFM)	Indoor Orifice Size (in) (1)
-018K	C5B(A,H)-024(C,U)-B+VSB-B	18,000	13.0	16,800	8.4	9,900	645	0.055
-024K	C5B(A,H)-024(C,U)-B+VSB-B	24,200	13.0	22,000	7.8	12,500	720	0.060
-030K	C5B(A,H)-030(C,U)-B+VSB-B	28,800	13.0	28,000	8.0	15,900	990	0.065
-036K	C5B(A,H)-036(C,U)-B+LLS+VSB-B	35,000	13.0	34,400	8.0	20,000	1,100	0.075
-042K	C5B(A,H)-048(C,U)-C+LLS+VSB-C	41,500	13.0	41,000	8.0	23,400	1,305	0.077
-048K	C5B(A,H)-048(C,U)-C+VSB-C	48,000	13.0	47,500	8.0	27,000	1,530	0.082

Model Number T5BU-	Model Number	Cooling Capacity (Btu/h)	SEER Rating	Heating Capacity (Btu/h) @ 47°	HSPF	Heating Capacity (Btu/h) @ 17°	Nominal Airflow (SCFM)	Indoor Orifice Size (in) (1)
-018K	B5VM-024K-B	18,000	13.0	16800	8.4	9,900	645	0.055
-024K	B5VM-025K-B	24,600	13.0	22200	7.7	12,500	720	0.060
-030K	B5VM-030K-B	29,000	13.0	28000	7.7	14,600	885	0.065
-036K	B5VM-036K-B	41,000	13.0	39500	7.9	19,700	1,315	0.075
-042K	B5VM-042K-B	35,000	13.0	34400	8.0	20,000	1,100	0.077
-048K	B5VM-048K-C	48,000	13.0	48000	7.7	27,400	1,600	0.082
-060K	B5VM-060K-C	57,000	13.0	57000	7.8	36,400	1,700	0.099

See the current ARI Directory for certified combinations and ratings.

(1) Field supplied.

LLS = Liquid Line Solenoid

TDR = Time Delay Relay

VSB = Variable Speed Blower



CERTIFICATION APPLIES ONLY  
WHEN THE COMPLETE  
SYSTEM IS LISTED  
WITH ARI

We Encourage  
Professionalism



Through Technician  
Certification by NATE

Trademark Frigidaire used under license.

224C-0406 (Replaces 224C-0306)