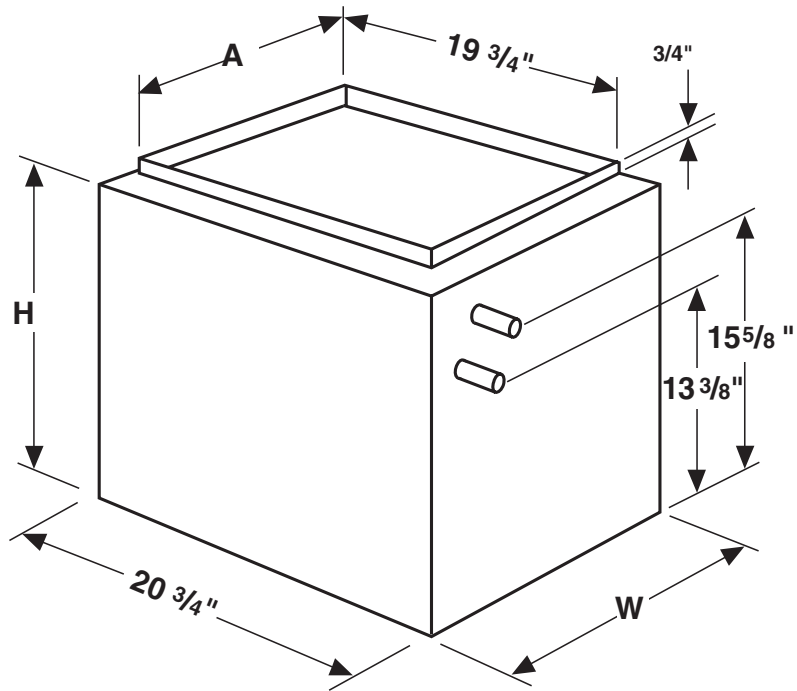
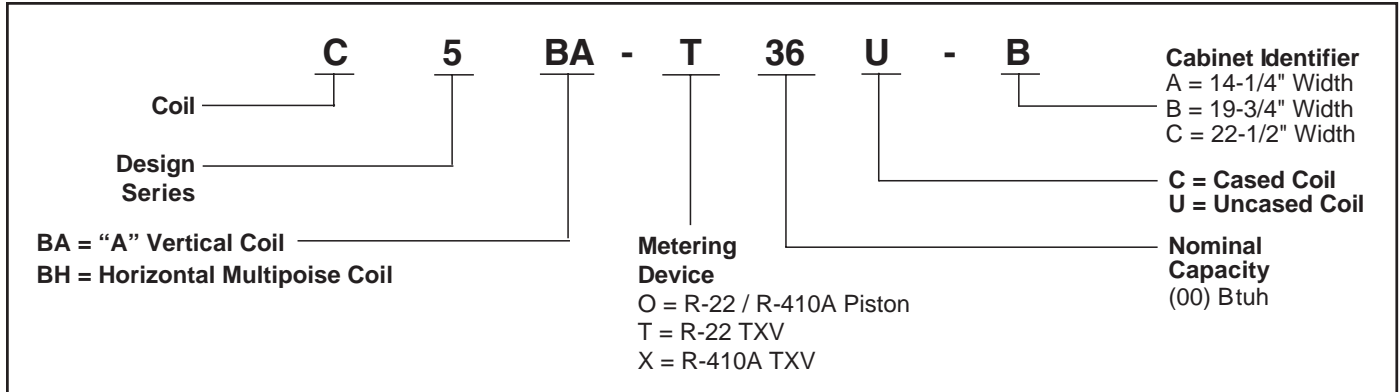


TECHNICAL SPECIFICATIONS

C5 Residential Indoor Coils

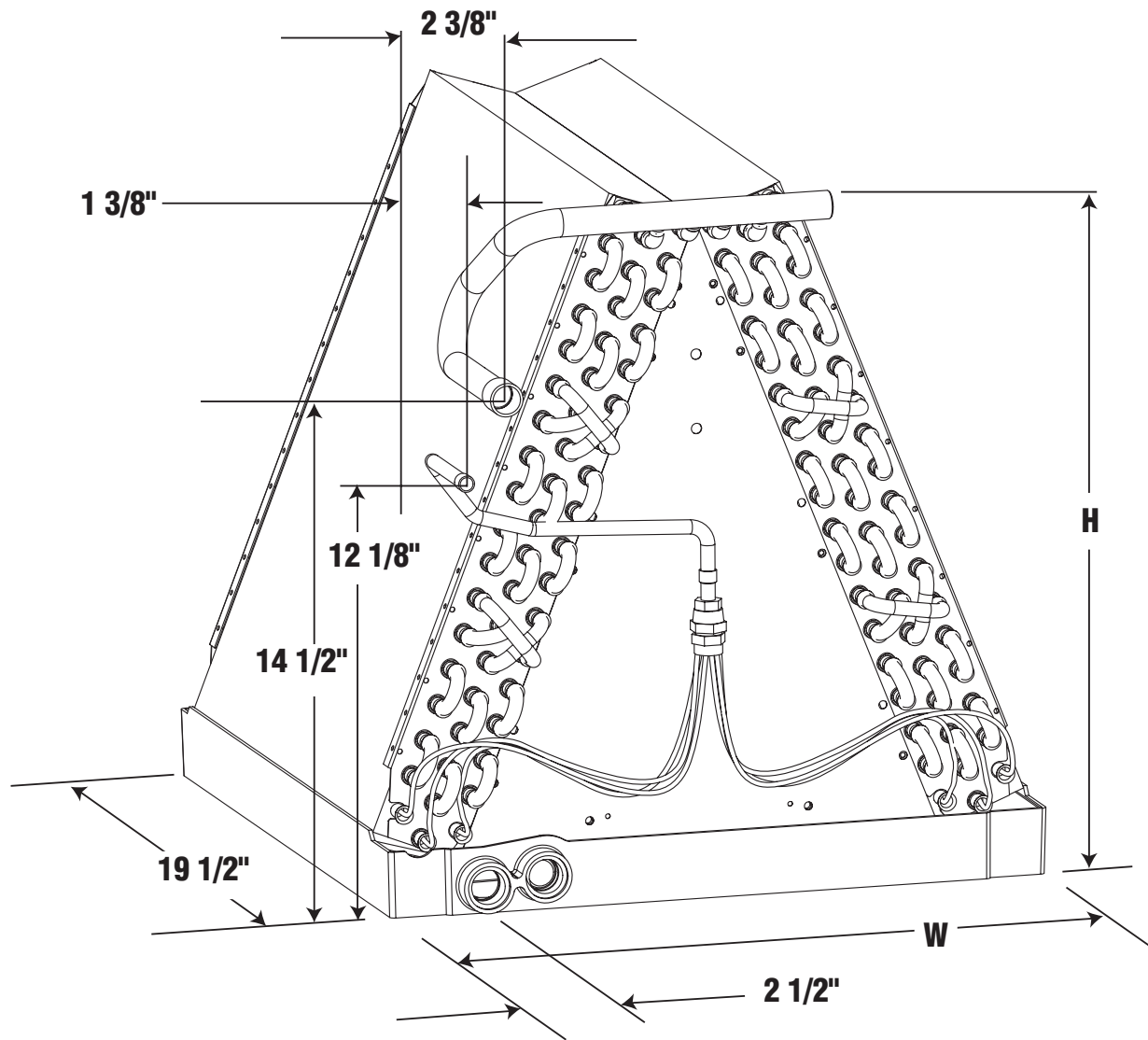
MODEL IDENTIFICATION CODE



Cased Coil

C5 CASED COIL WRAPPERS

SKU	Cabinet Identifier	Overall Width	Overall Height
919330	A	14 1/4	20"
919331	A	14 1/4	26"
919332	B	19 3/4	20"
919333	B	19 3/4	26"
919334	C	22 1/2	26"
919335	C	22 1/2	29"

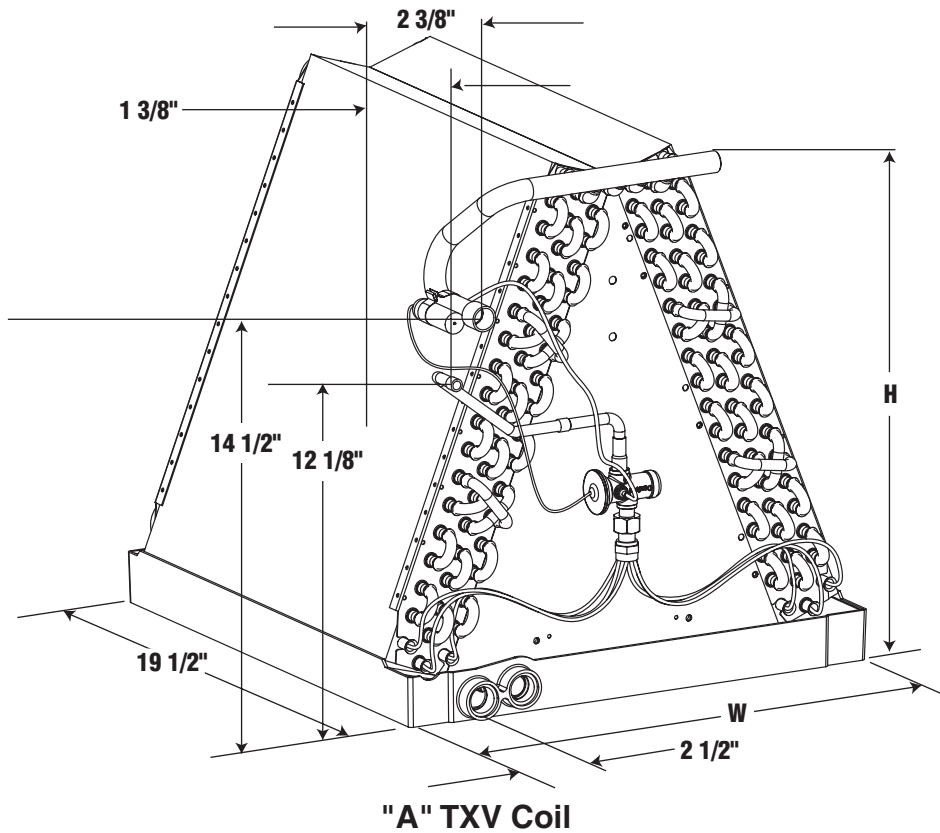


"A" Piston Coil

PISTON COIL DATA TABLE (R-22 / R-410A)

Coil Model C5BA, C5BH	024-A	025-A	030-A	024-B	025-B	030-B	036-B	037-B	042-B	048-B	048-C	049-C	060-C
Face Area (ft ²)	4.18	4.18	4.18	4.18	4.18	4.18	4.18	5.58	5.58	5.58	5.58	6.42	6.42
Rows	2	3	3	3	3	3	3	3	3	3	3	3	3
Fins per inch	15	14	14	14	14	14	14	14	14	14	14	14	14
(1) Orifice Size	0.050	0.065	0.060	0.060	0.053	0.065	0.075	0.075	0.078	0.089	0.089	0.089	0.099
Nominal Airflow CFM	800	800	1000	800	800	1000	1200	1200	1400	1600	1600	1600	2000
Pressure Drop at nominal airflow (in. w.c.)	0.12	0.12	0.30	0.12	0.12	0.15	0.21	0.30	0.30	0.03	0.30	0.30	0.30
W-Width (in.)	12 3/4	12 3/4	12 3/4	18 1/8	18 1/8	18 1/8	18 1/8	18 1/8	18 1/8	18 1/8	21	21	21
H-Height (in.)	19	19	19	19	19	19	19	25	25	25	25	28 3/4	28 3/4
Connections													
Liquid Line	3/8	3/8	3/8	3/8	3/8	3/8	3/8	3/8	3/8	3/8	3/8	3/8	3/8
Suction Line	3/4	3/4	3/4	3/4	3/4	3/4	3/4	7/8	7/8	7/8	7/8	7/8	7/8
Horizontal Drain Kit	919318	919318	919318	919318	919318	919318	919318	919319	919319	919319	919319	919320	919320

(1) Orifice size shown is for 13 SEER rating.



TXV COIL DATA TABLE (R-22)

Coil Model C5BA, C5BH	T24-A	T25-A	T30-A	T24-B	T25-B	T30-B	T36-B	T37-B	T42-B	T48-B	T48-C	T49-C	T60-C
Face Area (ft ²)	4.18	4.18	4.18	4.18	4.18	4.18	4.18	5.58	5.58	5.58	5.58	6.42	6.42
Rows	2	3	3	3	3	3	3	3	3	3	3	3	3
Fins per inch	15	14	14	14	14	14	14	14	14	14	14	14	14
Metering Device	TXV	TXV	TXV	TXV	TXV	TXV	TXV	TXV	TXV	TXV	TXV	TXV	TXV
Nominal Airflow CFM	800	800	1000	800	800	1000	1200	1200	1400	1600	1600	1600	2000
Pressure Drop at nominal airflow (in. w.c.)	0.12	0.12	0.30	0.12	0.12	0.15	0.21	0.30	0.30	0.03	0.30	0.30	0.30
W-Width (in.)	12 3/4	12 3/4	12 3/4	18 1/8	18 1/8	18 1/8	18 1/8	18 1/8	18 1/8	18 1/8	21	21	21
H-Height (in.)	19	19	19	19	19	19	19	25	25	25	25	28 3/4	28 3/4
Connections													
Liquid Line	3/8	3/8	3/8	3/8	3/8	3/8	3/8	3/8	3/8	3/8	3/8	3/8	3/8
Suction Line	3/4	3/4	3/4	3/4	3/4	3/4	3/4	7/8	7/8	7/8	7/8	7/8	7/8
Horizontal Drain Kit	919318	919318	919318	919318	919318	919318	919318	919319	919319	919319	919319	919320	919320

TXV COIL DATA TABLE (R-410A)

Coil Model C5BA, C5BH	X24-A	X30-A	X24-B	X30-B	X36-B	X42-B	X48-B	X48-C	X60-C
Face Area (ft ²)	4.18	4.18	4.18	4.18	4.18	5.58	5.58	5.58	6.42
Rows	2	3	3	3	3	3	3	3	3
Fins per inch	15	14	14	14	14	14	14	14	14
Metering Device	TXV	TXV	TXV	TXV	TXV	TXV	TXV	TXV	TXV
Nominal Airflow CFM	800	1000	800	1000	1200	1400	1600	1600	2000
Pressure Drop at nominal airflow (in. w.c.)	0.12	0.30	0.12	0.15	0.21	0.30	0.03	0.30	0.30
W-Width (in.)	12 3/4	12 3/4	18 1/8	18 1/8	18 1/8	18 1/8	18 1/8	21	21
H-Height (in.)	19	19	19	19	19	25	25	25	28 3/4
Connections									
Liquid Line	3/8	3/8	3/8	3/8	3/8	3/8	3/8	3/8	3/8
Suction Line	3/4	3/4	3/4	3/4	3/4	7/8	7/8	7/8	7/8
Horizontal Drain Kit	919318	919318	919318	919318	919318	919319	919319	919319	919320

COIL DATA TABLES (continued)

C5 & C5BH Series Cased Coil Dimensions

Cabinet Identifier			Overall		Top Opening	Bottom Opening	Horizontal Drain Pan Extension
			W	H	A	B	C
C5BA	A	*24 - *30	14 1/4	20	12 7/8	6 5/8	6 1/2 (1)
C5BH	A	*24 - *30	14 1/4	20	12 7/8	6 5/8	N/A
C5BA	B	*24 - *36, *41	19 3/4	20	18 3/8	10 5/8	6 1/2 (1)
C5BH	B	*24 - *36, *41	19 3/4	26	18 3/8	10 5/8	N/A
C5BA	B	*37, *42 - *48	19 3/4	26	18 3/8	10 5/8	3 1/2
C5BH	B	*37, *42 - *48	19 3/4	26	18 3/8	10 5/8	3 1/2
C5BA	C	*48	22 1/2	26	21 1/8	13 5/8	3 1/2
C5BH	C	*48	22 1/2	26	21 1/8	13 5/8	3 1/2
C5BA	C	*49 - *60	22 1/2	29	21 1/8	13 5/8	4 1/2
C5BH	C	*49 - *60	22 1/2	29	21 1/8	13 5/8	4 1/2

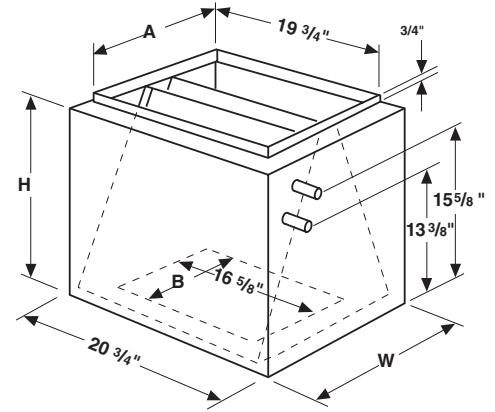


Figure 1. C5BA Cased Coil

See Figures 1 and 2.

(1) This dimension only applicable when horizontal drain pan extension is used on standard coils.

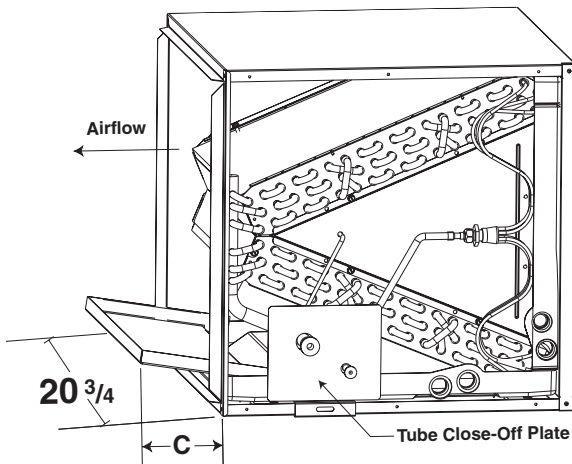


Figure 2. C5 Horizontal Left Configuration with Drain Pan Extension

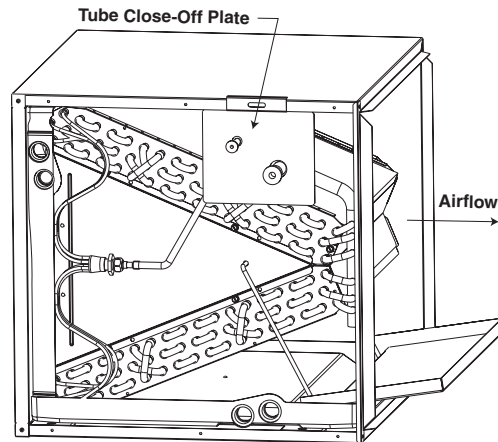


Figure 3. C5 Horizontal Right Configuration with Drain Pan Extension

Drain Pan—Bottom View

Dimension	"A" Cabinet 24-30	"B" Cabinet 24-48	"C" Cabinet 48-60
W	12 3/4	18 1/8	21 1/16
B	6 5/8	10 5/8	13 5/8

See Figure 4.

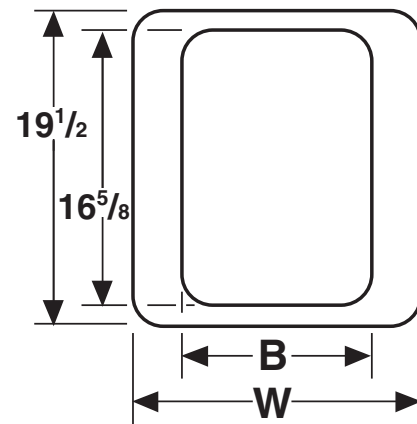


Figure 4. Drain Pan Dimensions



CERTIFICATION APPLIES ONLY WHEN THE COMPLETE SYSTEM IS LISTED WITH ARI



We Encourage Professionalism

