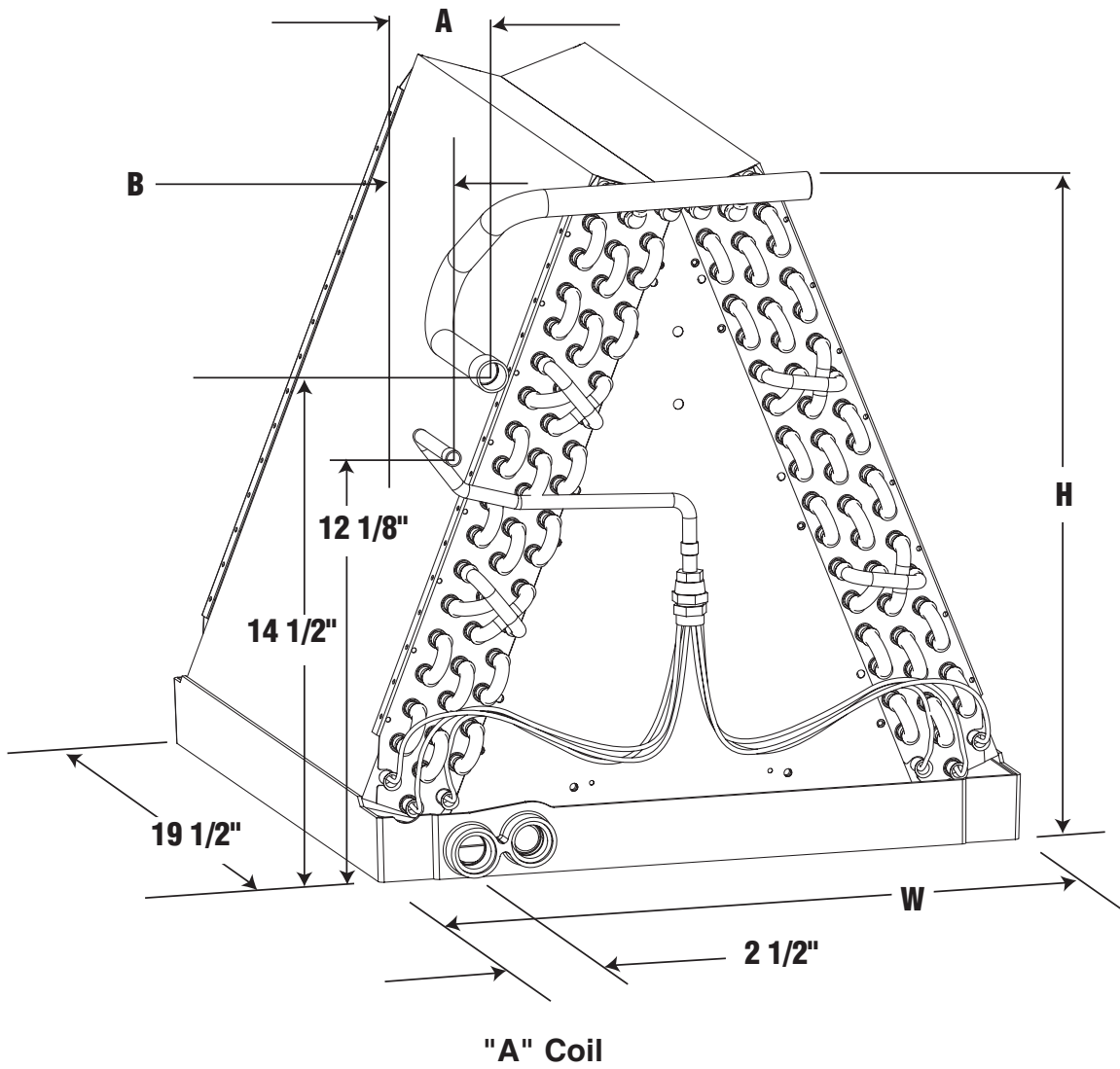
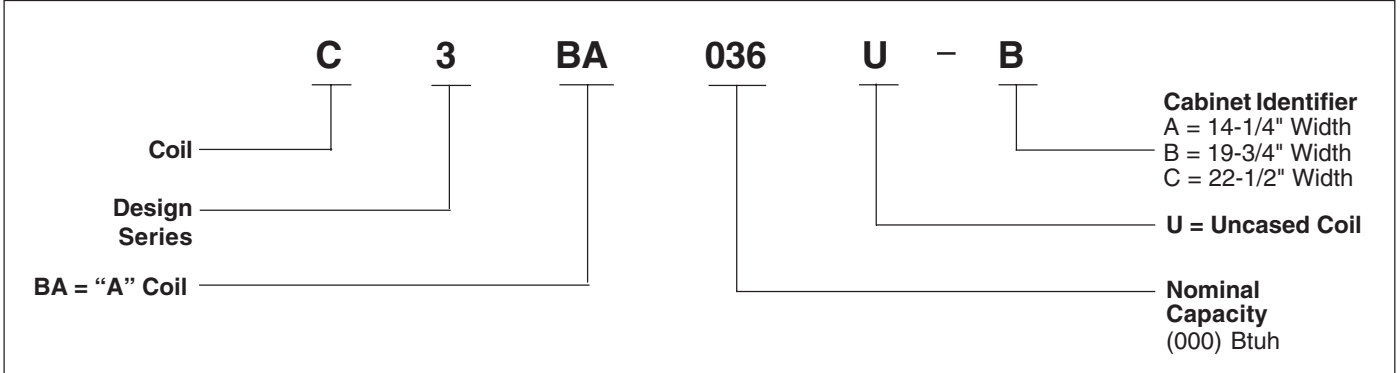


TECHNICAL SPECIFICATIONS

C3 Uncased Indoor Replacement Coils

MODEL IDENTIFICATION CODE



COIL DATA TABLES

Model C3BA		024-A	036-A	036-B	048-B	048-C	060-C
Face Area (ft ^2)		2.75	4.18	4.18	4.18	4.18	5.58
Rows		2	2	2	3	3	3
Fins per inch		12	15	15	12	12	14
Refrigerant Flow Control		Fixed Orifice					
Orifice Size (1)		0.060	0.067/0.063*	0.067/0.063*	0.080	0.080	0.093
Nominal Airflow (cfm)		800	1200	1200	1500	1500	1800
Pressure drop at nominal airflow (in w.c.)		0.12	0.21	0.21	0.30	0.30	0.30
Dimensions: Inches	W(width)	12 3/4	12 3/4	18 1/8	18 1/8	21 1/16	21 1/16
	H (height)	13	19	19	19	19	25
	A(suction)	2 3/8	2 3/8	2 3/8	2 3/8	2 3/8	2 3/8
	B (liquid)	1 3/8	1 3/8	1 3/8	1 3/8	1 3/8	1 3/8
Connections: Inches	Liquid Line	3/8	3/8	3/8	3/8	3/8	3/8
	Suction Line	3/4	3/4	3/4	3/4	3/4	7/8
Horizontal Kit		914633	919318	919318	919318	919318	919319

(1) Orifice size shown is for 10 SEER rating with FS3BA outdoor unit.

*Orifice size shown is for 10 SEER 2-1/2 Ton.

Drain Pan—Bottom View

Dimension	"A" Cabinet 24-43	"B" Cabinet 30-50	"C" Cabinet 60
W	12 3/4	18 1/8	21 1/16
B	6 5/8	10 5/8	13 5/8

See Figure 1.

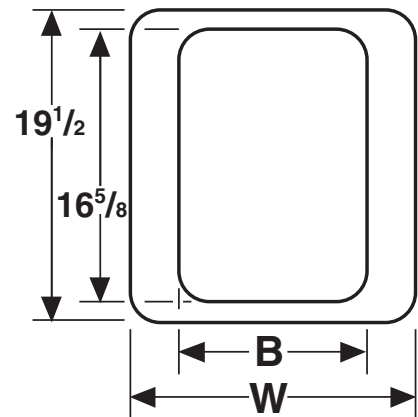


Figure 1. Drain Pan Dimensions



CERTIFICATION APPLIES ONLY
WHEN THE COMPLETE
SYSTEM IS LISTED
WITH ARI



We Encourage
Professionalism



Through Technician
Certification by NATE