

---

## TECHNICAL SPECIFICATIONS

---



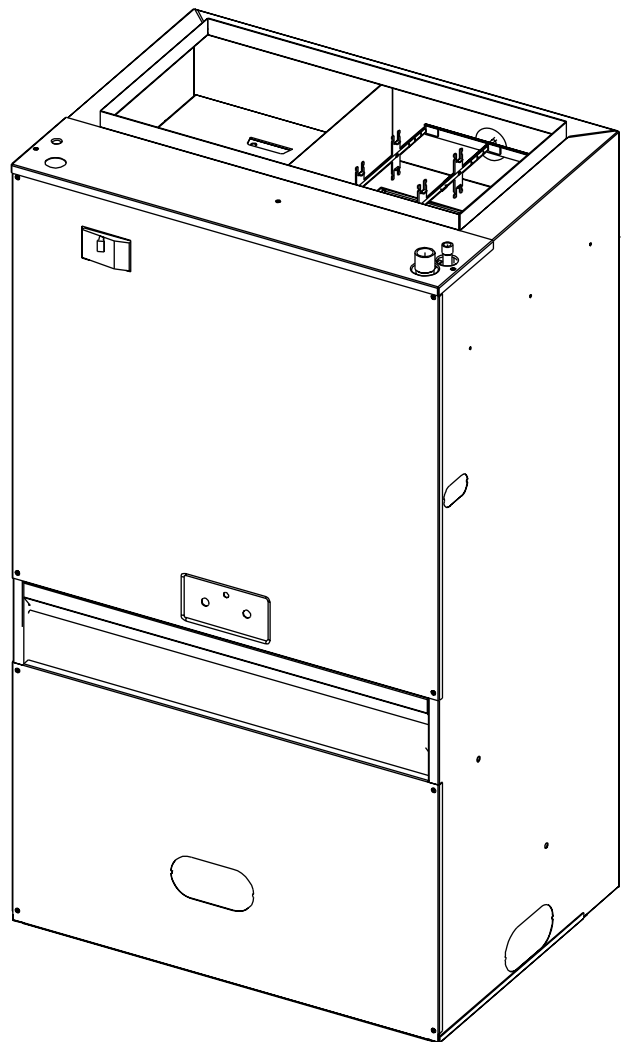
### GB3BW Series Air Handler

**10 and 12 SEER Residential or Multi-family System  
18,000 - 36,000 Btuh (Heat Pump & Air Conditioner)**

The GB3BW Series air handler, when combined with our heat pump or air conditioner, offers a full line of quality, split system heating and cooling equipment.

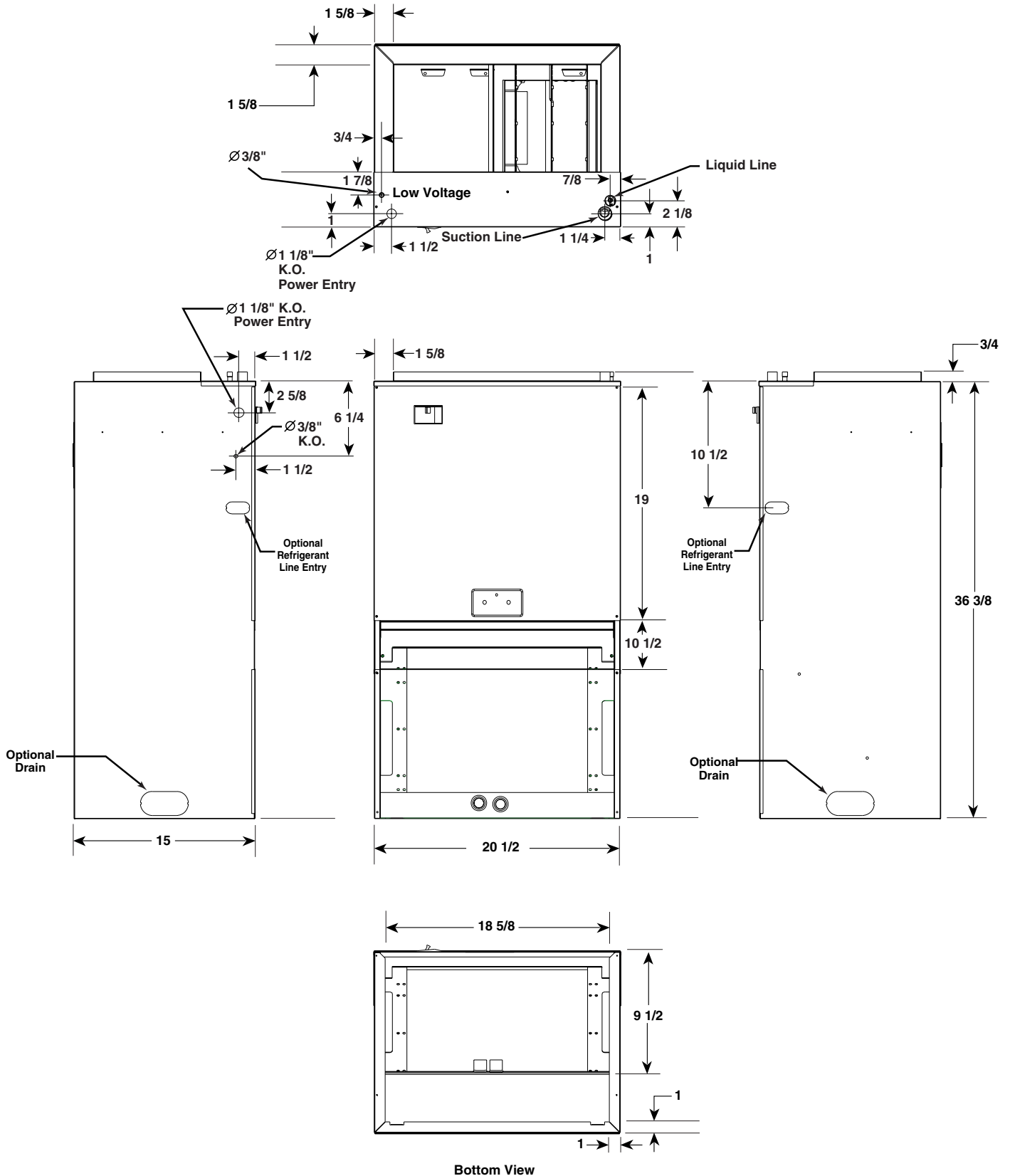
#### FEATURES and BENEFITS

- **Durable, Attractive Cabinet** – Designed using galvanized steel with optional white decorative panel. The plastic drain pan is corrosion resistant.
- **Multi-speed** – Gives flexibility of installation.
- **Blower TDR** – Factory installed blower off delay sequencer.
- **Ease-of-Service** – Plug-in wire connections and built-in filter rack makes the air handler easy to service.
- **Heater Kits Installed** – Available in 5kw, 8kw & 10kw.
- **Breaker Accessibility** – Breaker accessible from front of unit.
- **Fully insulated cabinet** – for quiet operation.
- **Front and/or bottom return air**
- **Offset hanging bracket for easy installation**
- **5 Year Limited All Parts Warranty** – The best in the industry and has proven to be a major benefit to the consumer.



# DIMENSIONS

Model Number	Refrigerant Connections		Filter Size	Supply Air Duct Dimension
	Suction Dia.	Liquid Dia.		
GB3BW-18 - 36	3/4	3/8	16 x 20 x 1	9 x 17 1/4



## SPECIFICATIONS

Model Number GB3BW-	18	24	30	36
Nominal Cooling Capacity - Btuh (1)	17,000	23,000	27,000	33,600
Refrigerant Flow Control (2)	.051	.060	.063	.067
Available Heat (kw)	5, 8	5, 8, 10	5, 8, 10	8, 10
Nominal Blower Size (D x W)	10 x 6	10 x 6	11 x 6	11 x 6
(H.P. - Speed - Type)	1/5-2-PSC	1/5-2-PSC	1/2-2-PSC	1/2-2-PSC
Rated External Static Pressure (in. W.C.)	.30	.30	.30	.30
CFM @ Rated ESP	815	900	990	1045
Filter Size (see note below)	16 x 20 x 1	16 x 20 x 1	16 x 20 x 1	16 x 20 x 1
Approximate Shipping Weight (lbs.)	80	80	85	85

- (1) See current ARI Directory for certified combinations and ratings.
- (2) Units are 10 SEER air conditioner ready as shipped.

## SYSTEM AIR FLOW DATA

Unit	HP	Speed	ESP ("H2O)	CFM Low	CFM High
018	1/5 HP 10 X 6	2	0.1	760	960
			0.2	680	900
			0.3	635	840
			0.4	600	800
			0.5	560	760
024	1/5 HP 10 X 6	2	0.1	760	960
			0.2	680	900
			0.3	635	840
			0.4	600	800
			0.5	560	760
030	1/2 HP 11 X 6	2	0.1	1065	1130
			0.2	1030	1085
			0.3	990	1045
			0.4	950	1000
			0.5	900	950
036	1/2 HP 11 X 6	2	0.1	1065	1130
			0.2	1030	1085
			0.3	990	1045
			0.4	950	1000
			0.5	900	950

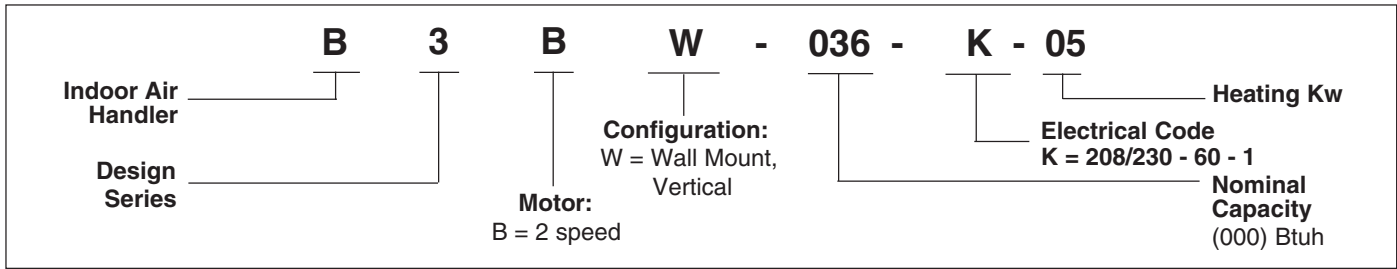
### Notes:

- 1) Airflow is shown in cfm, +/- 5%.
- 2) External static pressure is shown in inches w.c.
- 3) All airflows are measured without filter and with dry coil. For filter velocity of 300 ft./min. subtract .08" external static pressure. For wet coil, subtract .1" external static pressure.
- 4) See unit nameplate or installation instructions for maximum recommended external static pressure.

## ELECTRICAL DATA

Model Number GB3BW-	018-05		018-08		024-05		024-08		024-10		030-05		030-08		030-10		036-08		036-10	
Voltage	208	240	208	240	208	240	208	240	208	240	208	240	208	240	208	240	208	240	208	240
KW (nominal)	3.8	5	6	8	3.8	5	6	8	7.5	10	3.8	5	6	8	7.5	10	6	8	7.5	10
Minimum Circuit Ampacity Single Circuit	22.9	26.3	34.9	40.3	22.9	26.3	34.9	40.3	44.5	51.3	27.0	30.4	39.0	44.4	48.6	55.4	39.0	44.4	48.6	55.4
Maximum Over-Current Protection Single Circuit	25	30	35	45	25	30	35	45	45	60	30	35	40	45	50	60	40	45	50	60

## MODEL IDENTIFICATION CODE



## RATING MATRIX: AC

OUTDOOR UNIT MODEL NUMBER (CONDENSING UNIT) *S3BA-	INDOOR UNIT MODEL NUMBER (AIR HANDLER) GB3BW-	COOLING CAPACITY @ 95 ° F (BTUH)	SEER	INDOOR ORIFICE
018KA	018K	17,000	10.00	.051
024KA	024K	22,400	10.00	.060
<b>(CONDENSING UNIT) *S3BC-</b>				
018KA	024K	17,200	12.00	.060
024KA	030K + LLS (1)	22,600	11.00	.063
030KA	036K	27,200	10.50	.067
036KA	036K	33,000	10.50	.067

## RATING MATRIX: HP

OUTDOOR UNIT MODEL NUMBER (CONDENSING UNIT) *T3BA-	INDOOR UNIT MODEL NUMBER (AIR HANDLER) GB3BW-	COOLING CAPACITY @ 95 ° F (BTUH)	SEER	HEATING CAPACITY @ 47 ° F (BTUH)	HSPF	INDOOR ORIFICE
018KA	018K	17,200	10.00	17,300	6.8	.051
024KA	024K	22,600	10.00	22,900	6.8	.060
<b>(CONDENSING UNIT) *T3BC-</b>						
018KA	024K	17,500	12.00	17,600	7.1	.060
024KA	030K + LLS (1)	22,600	11.00	21,900	6.8	.063
030KA	036K	26,800	10.50	27,700	6.8	.067
036KA	036K	33,000	10.50	32,100	6.8	.067

## ACCESSORIES

- Decorative Louvered Panel - 903892
- (1) LLS, Liquid Line Solenoid Valve - 912650

NOTE: See Current ARI Directory for certified combinations and ratings.

CERTIFICATION APPLIES ONLY  
WHEN THE COMPLETE  
SYSTEM IS LISTED  
WITH ARI



We Encourage  
Professionalism  
**NATE**  
Through Technician  
Certification by NATE

097B-1205 (Replaces 097B-0704)