

# INSTALLATION INFORMATION

## 4 POLE AND 6 POLE JUMPER BAR ASSEMBLY

Used with NORDYNE Part Numbers:  
913350 and 913356

READ COMPLETE INSTALLATION INFORMATION  
BEFORE BEGINNING INSTALLATION!

### SQUARE D COMPANY

**CAUTION :**

ALL CONNECTORS OF JUMPER BAR ASSEMBLY MUST BE FILLED WITH CIRCUIT BREAKERS BEFORE ENERGIZING. JUMPER BAR ASS'Y. MUST BE INSTALLED TO FIT TIGHT AGAINST QOU CIRCUIT BREAKER.

DO NOT SPRAY OR ALLOW ANY PETROLEUM BASED CHEMICALS, SOLVENTS OR PAINT TO CONTACT JUMPER BAR ASSEMBLY.

USE ONLY SQUARE D SERIES 3 TYPE QOU  
60 AMP MAXIMUM CIRCUIT BREAKERS.

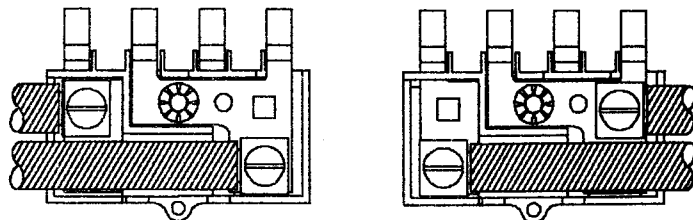


FIGURE L  
WIRE LEFT ENTRANCE

FIGURE R  
WIRE RIGHT ENTRANCE

FIGURE (F) ILLUSTRATES FRONT ENTRANCE WIRING OF JUMPER BAR ASSEMBLY. TERMINALS CAN BE POSITIONED FOR RIGHT ENTRANCE WIRING (FIGURE R) OR LEFT ENTRANCE WIRING (FIGURE L).

JUMPER BAR ASSEMBLY WIRING TERMINALS CAN BE FIELD RE-POSITIONED AS ILLUSTRATED IN FIGURES F, L AND R. TORQUE EACH TERMINAL MOUNTING SCREW TO 25-65 INCH POUNDS.

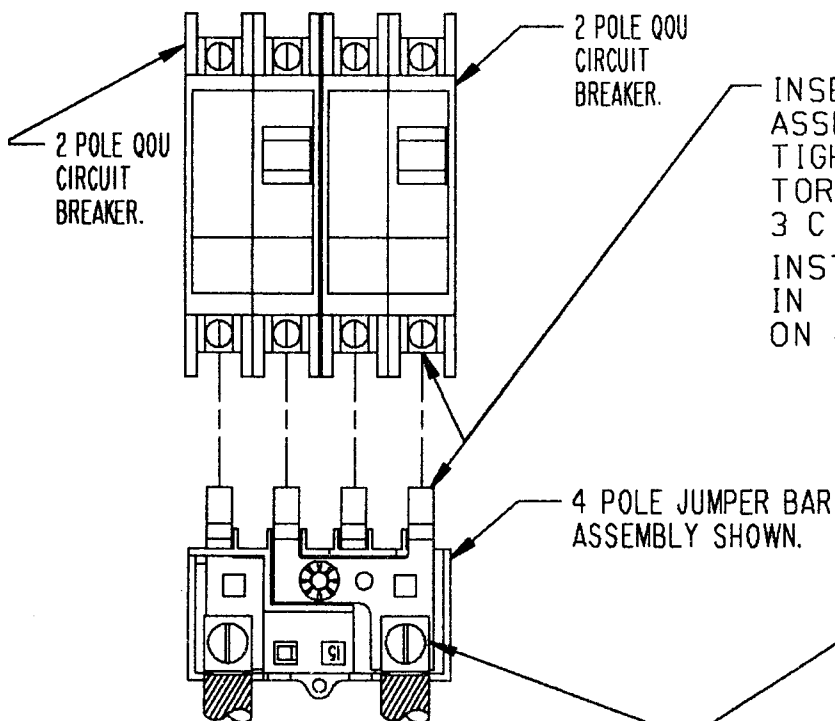
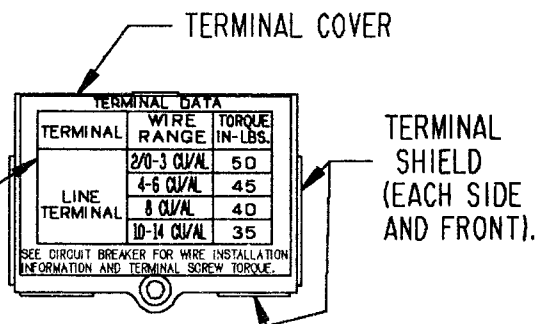


FIGURE F  
WIRE FRONT ENTRANCE

INSERT CONNECTORS OF JUMPER BAR ASSEMBLY INTO BREAKER TERMINALS. TIGHTEN EACH TERMINAL SCREW TO TORQUE SPECIFICATION ON QOU SERIES 3 CIRCUIT BREAKERS.

INSTALL JUMPER BAR CONNECTORS IN BREAKER TERMINALS AS SHOWN ON QOU SERIES 3 CIRCUIT BREAKERS.



TERMINAL WIRE RANGE AND TORQUE SPECIFICATIONS ARE SHOWN ON TERMINAL COVER. AFTER INSTALLATION OF JUMPER BAR ASSEMBLY AND BEFORE ENERGIZING TERMINALS, REMOVE CORRESPONDING TERMINAL SHIELD FROM TERMINAL COVER AND INSTALL TERMINAL COVER WITH SCREW PROVIDED.

JUMPER BAR ASSEMBLY MAY BE INSTALLED IN EITHER END OF CIRCUIT BREAKER, UPRIGHT OR INVERTED.



**SQUARE D COMPANY**