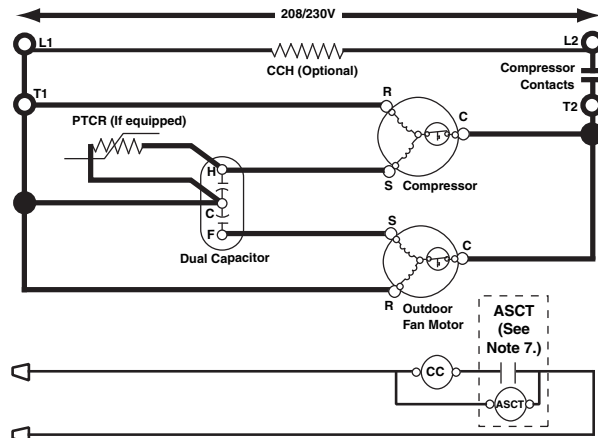


# WIRING DIAGRAM

## Split System Air Conditioner (Outdoor Section)

### NOTES:

1. Disconnect all power before servicing.
2. For supply connections use copper conductors only.
3. Not suitable on systems that exceed 150 volts to ground.
4. For replacement wires use conductors suitable for 105° C.
5. For ampacities and overcurrent protection, see unit rating plate.
6. Connect to 24 vac/40va/class 2 circuit. See furnace/air handler installation instructions for control circuit and optional relay/transformer kits.
7. Anti-Short Cycle Timer (ASCT) may or may not be installed in the unit. If desired, ASCT is factory installed on select models only or may be field installed as shown using manufacturer's approved kit. If not present, connect Yellow and Black wires per Note 6.
8. DO NOT use a Hard Start Kit on a model with a PTCR installed.



24 Volt Field Connections

CC - Contactor Coil  
CCH - Crankcase Heater

### Legend

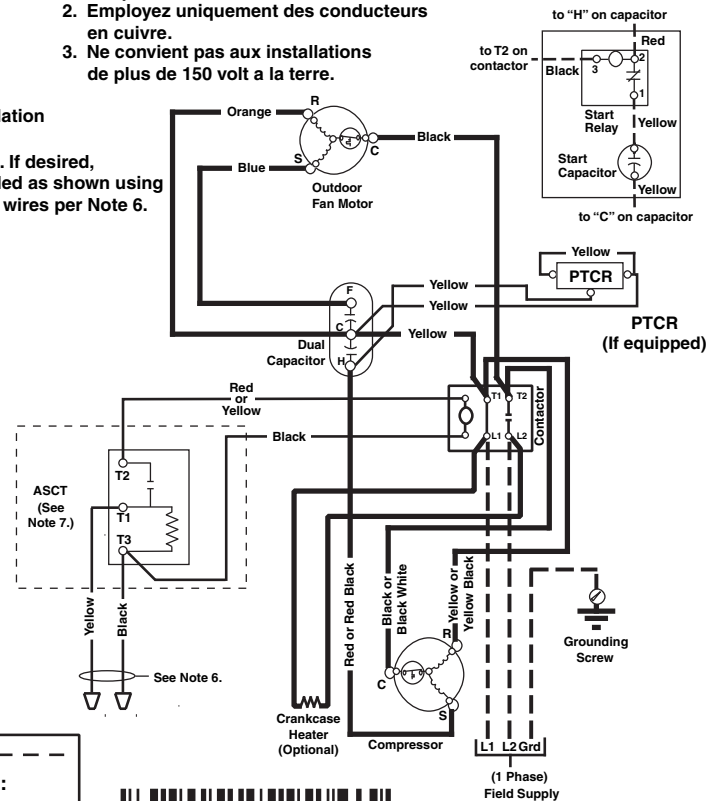
Field Wiring	---
Factory Wiring:	—
Low Voltage	—
High Voltage	—

PTCR - Positive Temperature Coefficient Resistor

## Single Phase

1. Couper le courant avant de faire letretien.
2. Employez uniquement des conducteurs en cuivre.
3. Ne convient pas aux installations de plus de 150 volt a la terre.

### OPTIONAL HARD START KIT



7105700 (Replaces 7102260)