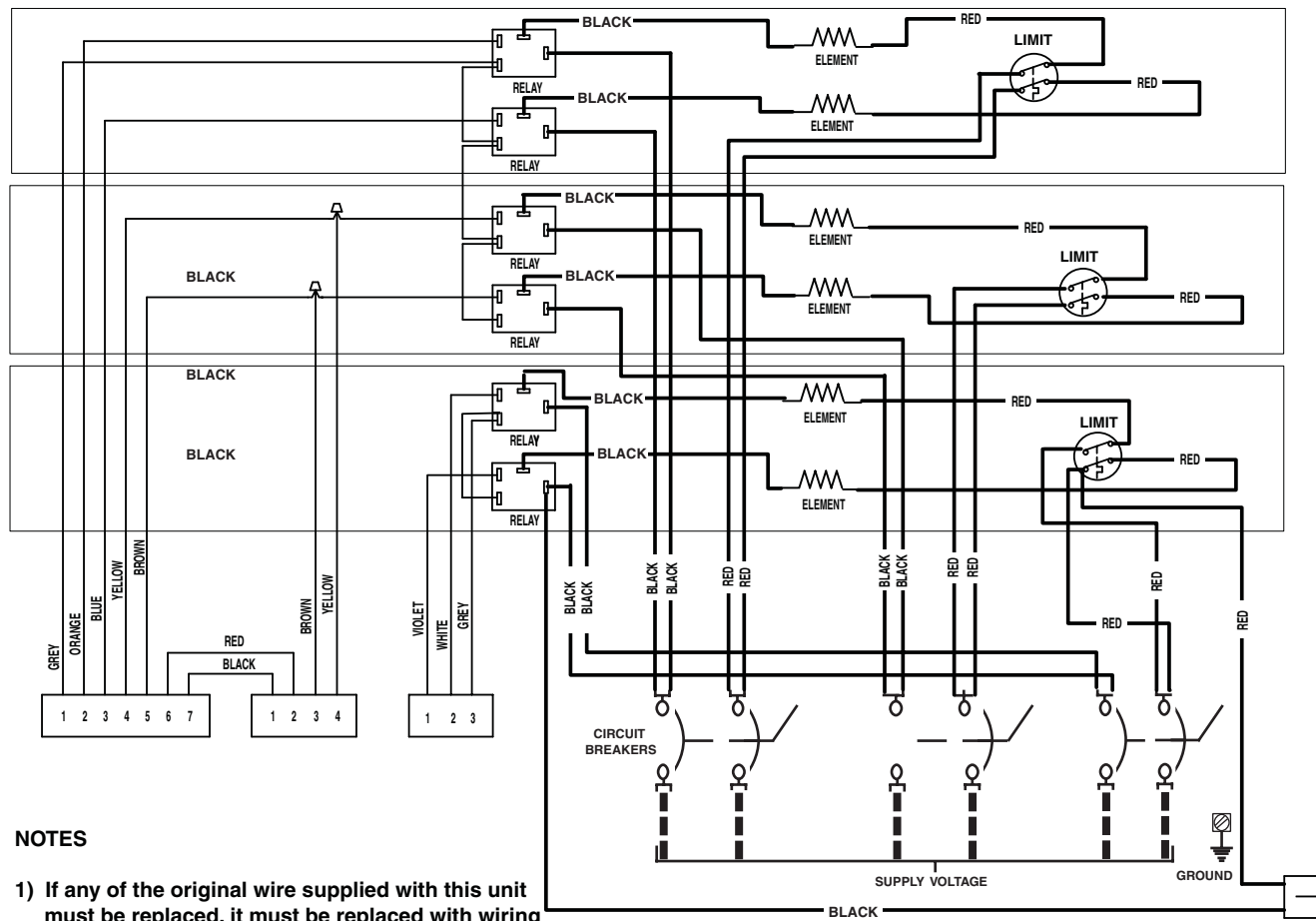


# WIRING DIAGRAM

H6HK030H-31 (with circuit breaker)

30kW, 240 VAC, 1-Phase Electric Heater Kit



## NOTES

- 1) If any of the original wire supplied with this unit must be replaced, it must be replaced with wiring material of the same gauge size and temperature rating.
- 2) The installation of this heater kit may require a change in the blower speed tap connection. See Installation Instructions for details.
- 3) Use copper conductors with a minimum temperature rating of 60°C for supply connections.

## Legend

Field Wiring	---
Factory Wiring:	—
Low Voltage	—
High Voltage	—



710566A (Replaces 7105660)