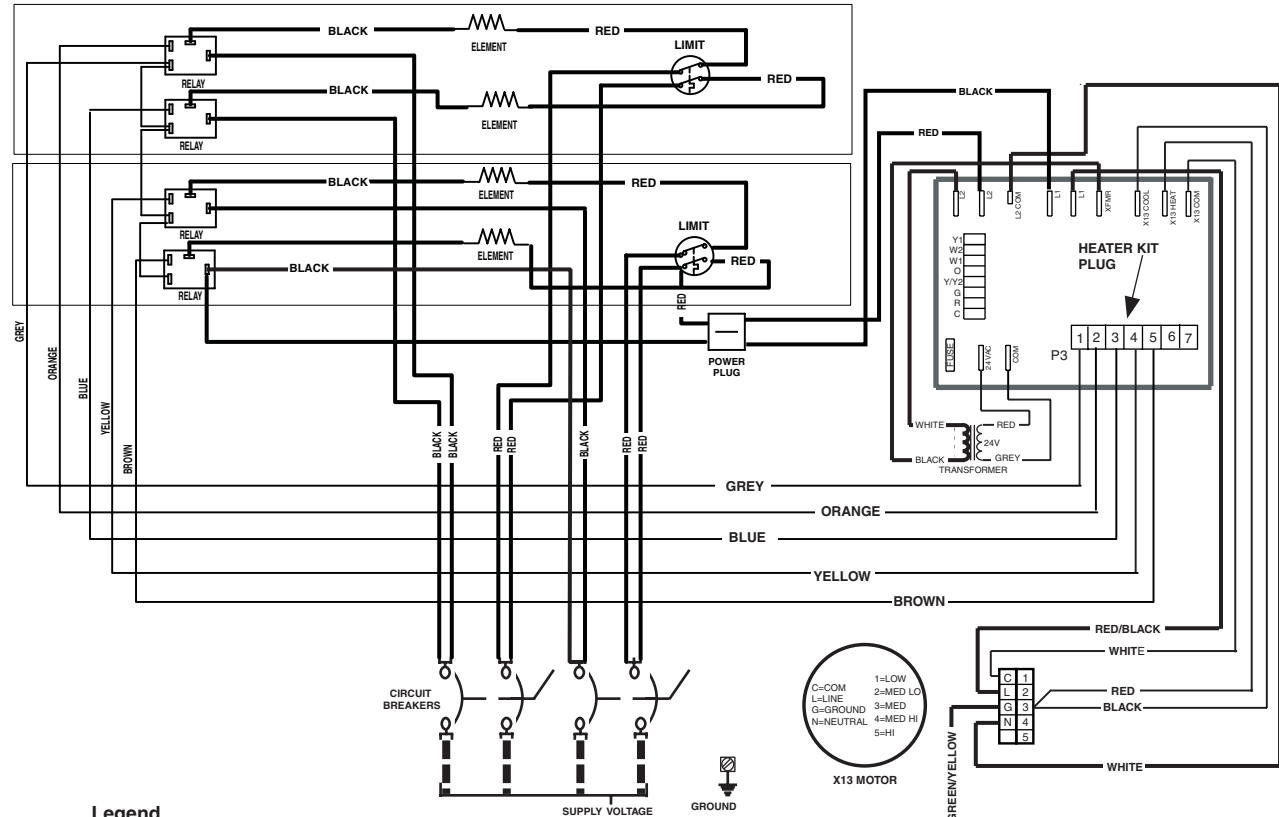


WIRING DIAGRAM

Air Handler with Factory Installed Heat (20 kW) X13 MOTOR



Legend

Field Wiring

Factory Wiring:

Low Voltage

High Voltage



7105430

- NOTES:**
- 1) The blower motor speed tap connection may not be as shown. See the Installation Instructions.
 - 2) Disconnect all power before servicing.
 - 3) Transformer may have a dual voltage primary tap. Match the tap position with the supply voltage used.
 - 4) If the Internal wiring is replaced, use only 105°C copper wire of the same gauge.

	5
N	4
G	3
L	2
C	1

BLOWER MOTOR PLUG
 N = NEUTRAL
 G = GROUND
 L = LINE
 C = COMMON

SPEED TAPS
 5 = HI
 4 = MED HI
 3 = MED
 2 = MED LOW
 1 = LOW

7105430