

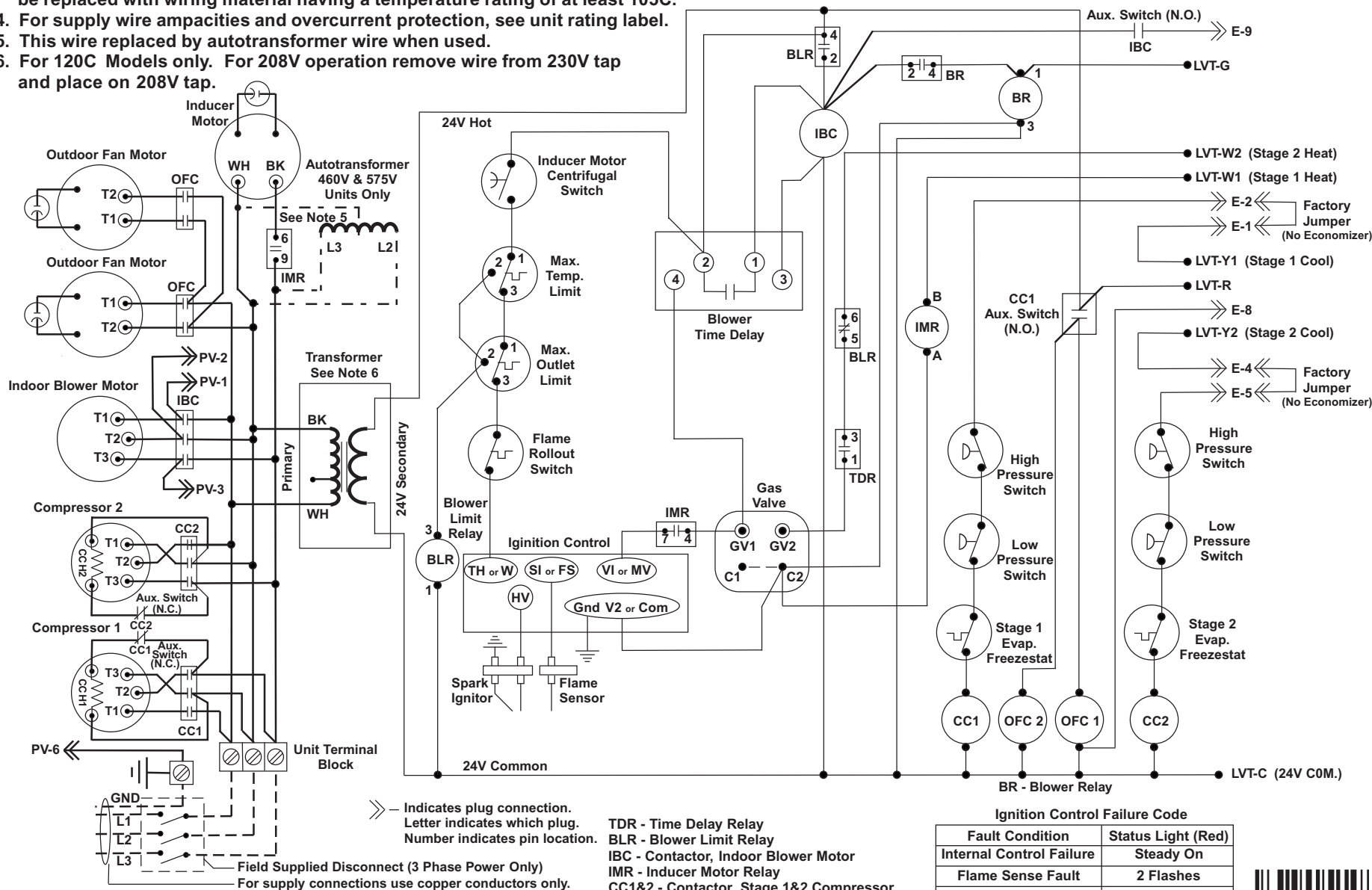
# WIRING DIAGRAM

(\*)R4G\*-120\* Series Convertible Packaged Gas Heat/Electric Air Conditioner 208-230/460/575 Volt Three Phase 60 Hz.

**NOTES:**

1. Disconnect all power before servicing.
2. For supply connections use copper conductors only.
3. If any of the original wire as supplied with the furnace must be replaced, it must be replaced with wiring material having a temperature rating of at least 105C.
4. For supply wire ampacities and overcurrent protection, see unit rating label.
5. This wire replaced by autotransformer wire when used.
6. For 120C Models only. For 208V operation remove wire from 230V tap and place on 208V tap.

1. Couper le courant avant de faire letretien.
2. Employez uniquement des conducteurs en cuivre.



⤵ — Indicates plug connection.  
Letter indicates which plug.  
Number indicates pin location.

- TDR - Time Delay Relay
- BLR - Blower Limit Relay
- IBC - Contactor, Indoor Blower Motor
- IMR - Inducer Motor Relay
- CC1&2 - Contactor, Stage 1&2 Compressor
- OFC - Contactor, Outdoor Fan
- CCH - Crankcase Heaters, Stage 1&2 Compressor
- LVT - Low Voltage Terminal

**Ignition Control Failure Code**

Fault Condition	Status Light (Red)
Internal Control Failure	Steady On
Flame Sense Fault	2 Flashes
Ignition Lockout	3 Flashes

