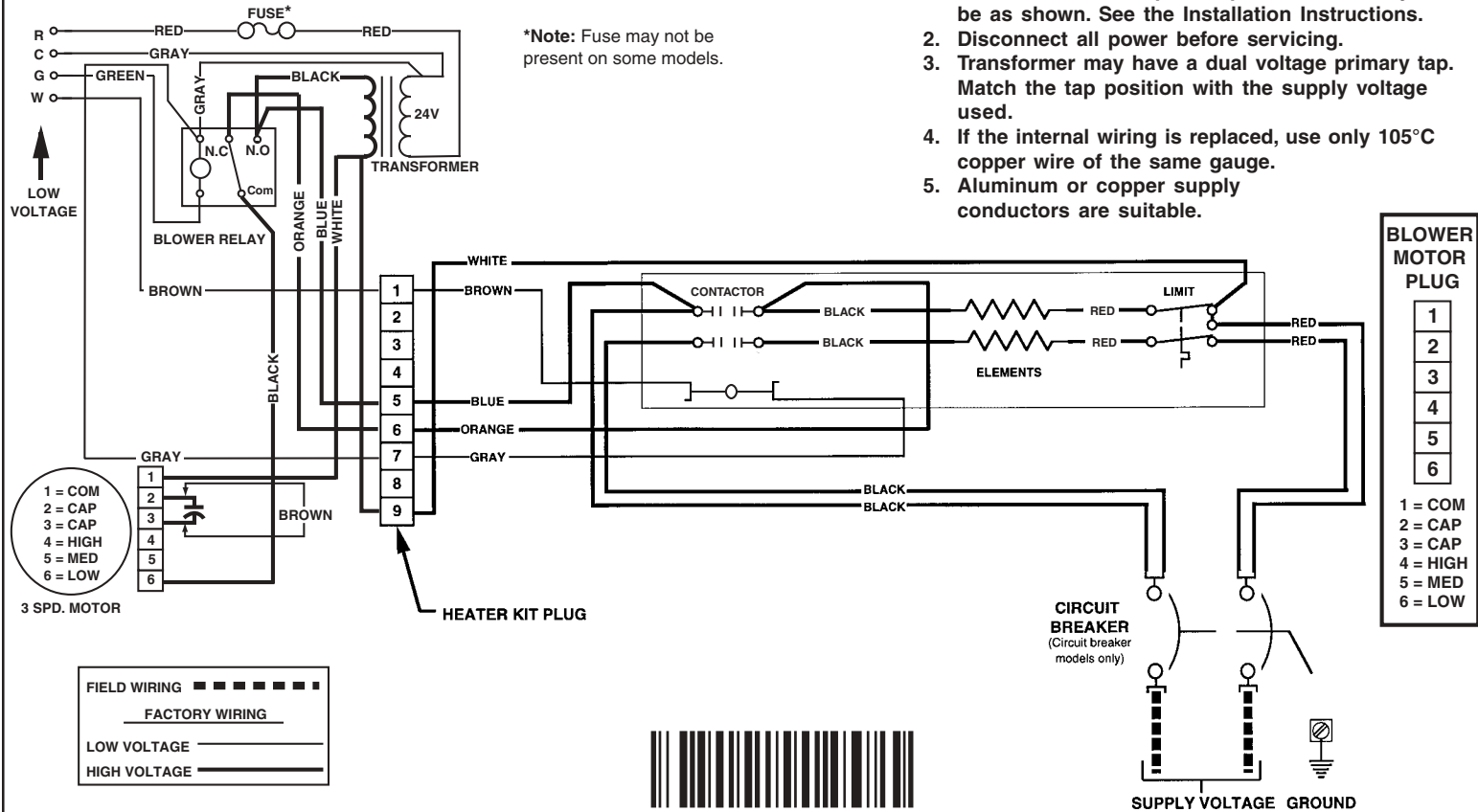


WIRING DIAGRAM

Air Handler with Factory Installed Heat (8kw, 10kw)



*Note: Fuse may not be present on some models.

NOTES:

1. The blower motor speed tap connection may not be as shown. See the Installation Instructions.
2. Disconnect all power before servicing.
3. Transformer may have a dual voltage primary tap. Match the tap position with the supply voltage used.
4. If the internal wiring is replaced, use only 105°C copper wire of the same gauge.
5. Aluminum or copper supply conductors are suitable.



710415A

710415A (Replaces 7104150)