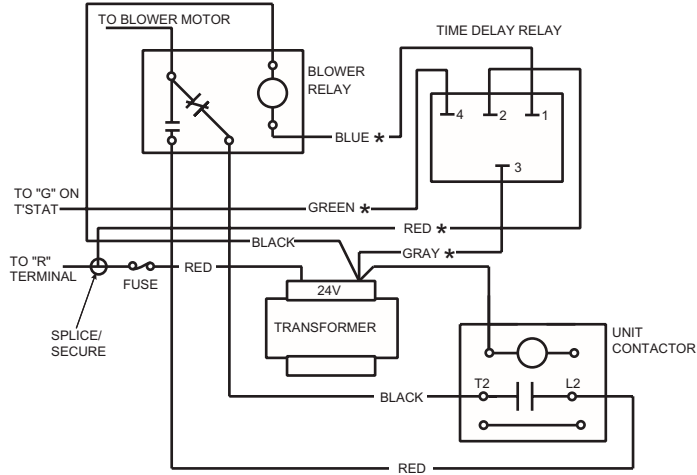


# WIRING DIAGRAM

## Single Package AC and HP



\* WIRES MARKED WITH AN ASTERISK (\*) ARE SUPPLIED AS PART OF TDR KIT.



7103740