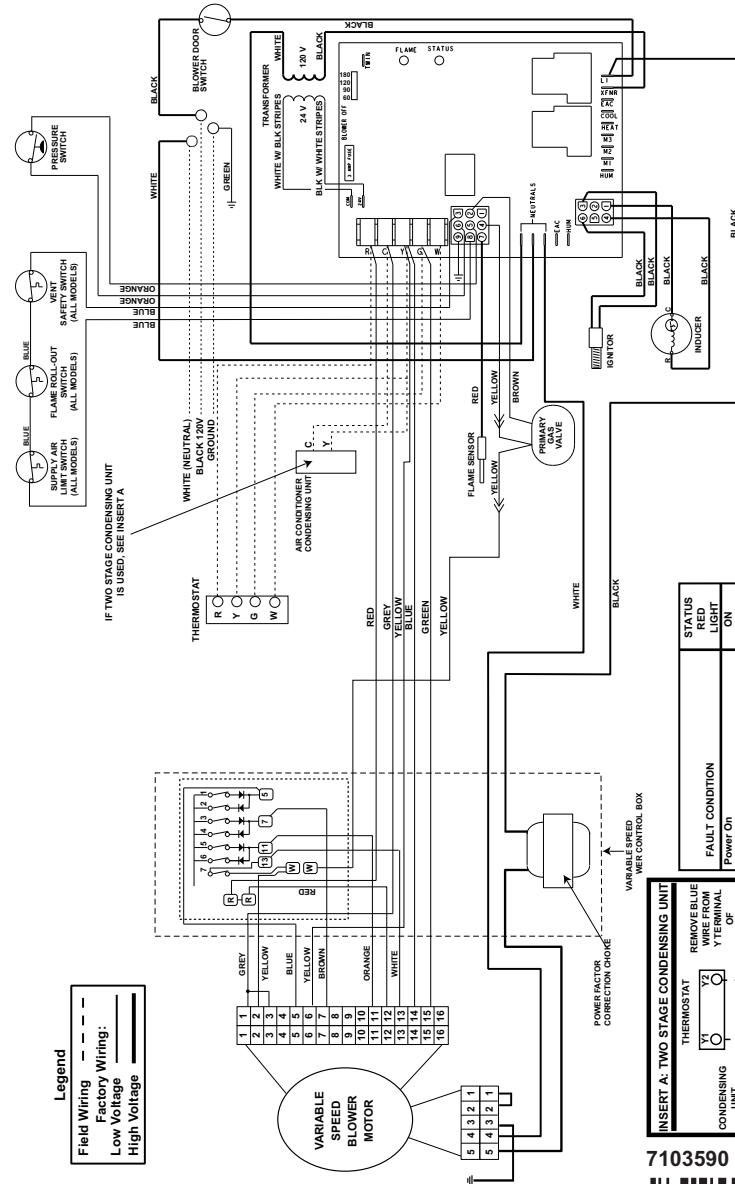


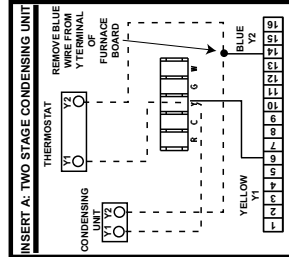
WIRING DIAGRAM

For Upflow and Downflow Residential 80+ Furnace with Variable Speed Blower



NOTES:

1. Use copper conductors only.
2. If any of the original wire as supplied with the furnace must be replaced, it must be replaced with wiring material having a temperature rating of at least 105 C.
3. Refer to the Installation Instructions provided with the furnace for the appropriate heating and cooling speed settings for your application.
4. Ensure that wires from the blower remain connected to the board thermostat terminals after making the field thermostat connections.



7103590 (Replaces 710192A)



STATUS	FAULT CONDITION
RED LIGHT ON	Power On
1 FLASH	Limit Circuit Open or External Load On
2 FLASHES	Pressure Switch is Open with Inducer On
3 FLASHES	Pressure Switch is Closed with Inducer Off
4 FLASHES	Ignition Failure (Check Ground)
5 FLASHES	115 VAC & Neutral Reversed or no Ground
6 FLASHES	Flame Flame or Gas Valve Relay Shorted
Continuous Flash	Power Off
Continuous Flash	FLAME YELLOW LIGHT
Flash ON	Low Flame Sensor Signal
Flash ON	Flame Present