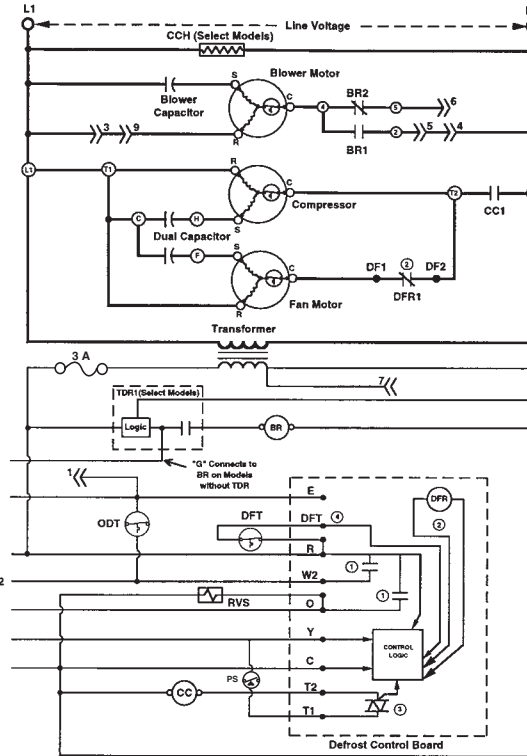
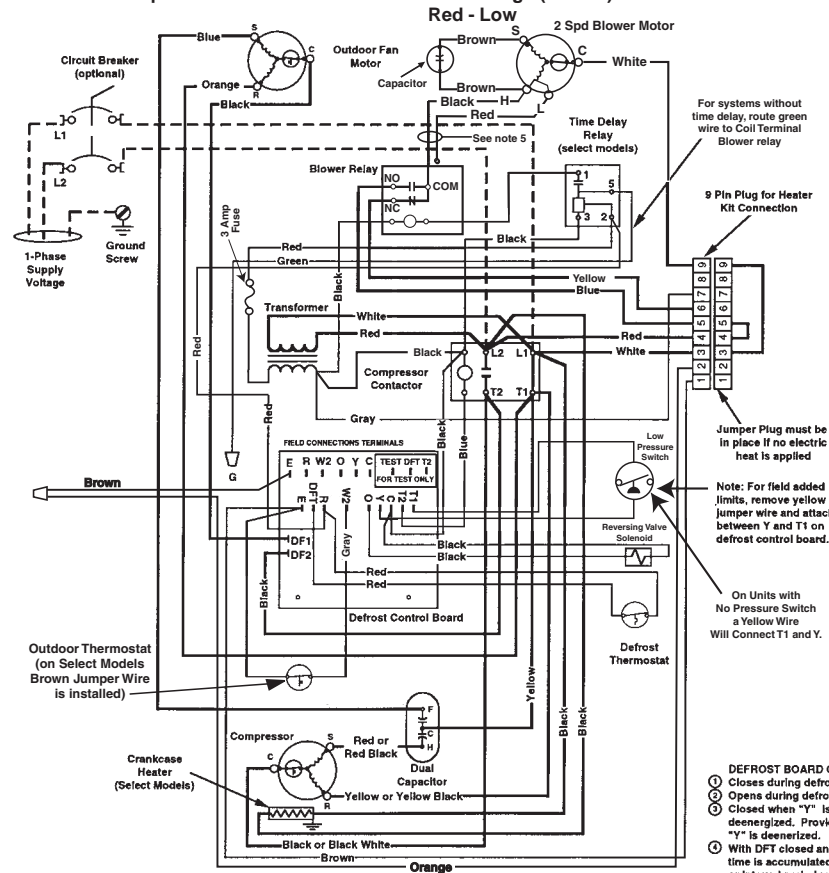


# WIRING DIAGRAM

## Small Packaged Heat Pump - Single Phase

- NOTES: 1. Disconnect all power before servicing.  
 2. For supply connections use copper conductors only.  
 3. Not suitable on systems that exceed 150 V to ground.  
 4. For replacement wires use conductors suitable for 105° C.  
 5. Two-speed motor lead connections: Black - High (default)

1. Couper le courant avant de faire letretien.  
 2. Employez uniquement des conducteurs en cuivre  
 3. Ne convient pas aux installations de plus de 150 V a la terre.



**DEFROST BOARD OPERATION:**

- ① Closes during defrost. Rating 1A max.
- ② Opens during defrost. Rating 2 hp @ 230VAC max.
- ③ Closed when "Y" is energized. Open when "Y" is deenergized. Provides "off" delay time of 5 min. when "Y" is deenergized.
- ④ With DFT closed and "Y" energized, compressor run time is accumulated. Opening of DFT during defrost or interval period resets the interval to 0.

Field Wiring	Factory Wiring
---	—
---	—
---	—

- DFT - Defrost Thermostat
- RVS - Reversing Valve Solenoid
- ODT - Outdoor Thermostat
- DFR - Defrost Relay
- BR - Blower Relay
- TDR - Time Delay Relay (if equipped)
- CCH - Crankcase Heater (if equipped)
- CC - Contactor Coil
- PS - Pressure Switch
- 3A - 3 Amp Fuse

⊏ - Indicates plug connection  
 Number indicates pin location



710339A (Replaces 7103390)