

# WIRING DIAGRAM

## Convertible Packaged Air Conditioner

208/230 Volt

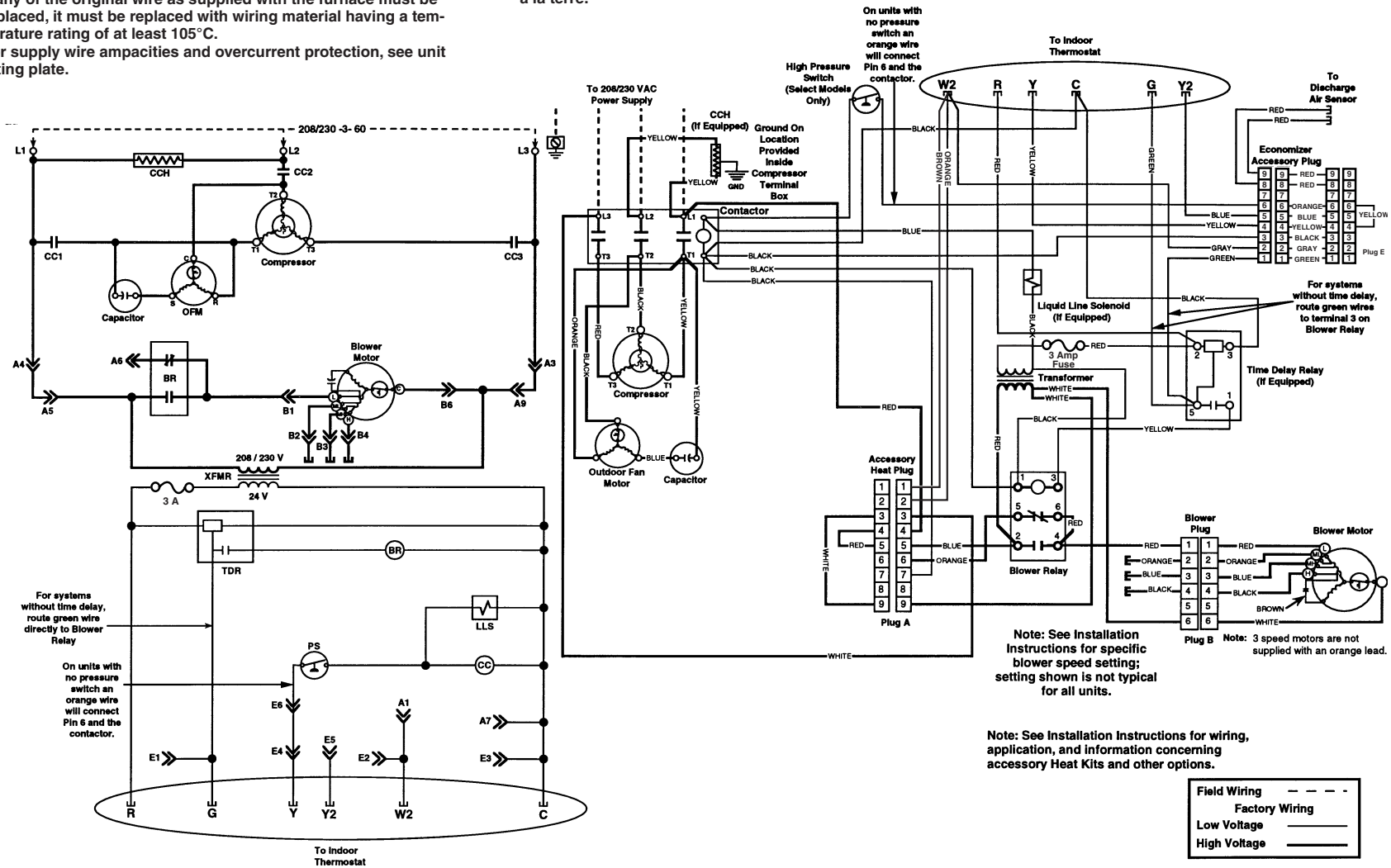
Three Phase

60Hz

### NOTES:

1. Disconnect all power before servicing.
2. For supply connections use copper conductors only.
3. Not suitable on systems that exceed 150 V to ground.
4. If any of the original wire as supplied with the furnace must be replaced, it must be replaced with wiring material having a temperature rating of at least 105°C.
5. For supply wire ampacities and overcurrent protection, see unit rating plate.

1. Couper le courant avant de faire leretien.
2. Employez uniquement des conducteurs en cuivre.
3. Ne convient pas aux installations de plus de 150 V a la terre.



- 3A - 3 AMP FUSE
- ASCT - ANTI SHORT CYCLE TIMER
- BR - BLOWER RELAY
- CC - COMPRESSOR CONTACTOR
- CCH - CRANKCASE HEATER (IF EQUIPPED)
- LLS - LIQUID LINE SOLENOID (IF EQUIPPED)
- TDR - TIME DELAY RELAY (SELECT MODELS)
- PS - PRESSURE SWITCH (SELECT MODELS)

- A1 >>> - INDICATES PLUG CONNECTION
- LETTER INDICATES WHICH PLUG
- 1 - 6 INDICATES PIN NUMBER.



Note: See Installation Instructions for specific blower speed setting; setting shown is not typical for all units.

Note: See Installation Instructions for wiring, application, and information concerning accessory Heat Kits and other options.

710332C (Replaces 710332B)