

WIRING DIAGRAM

Convertible Packaged Heat Pump

208/230 Volt

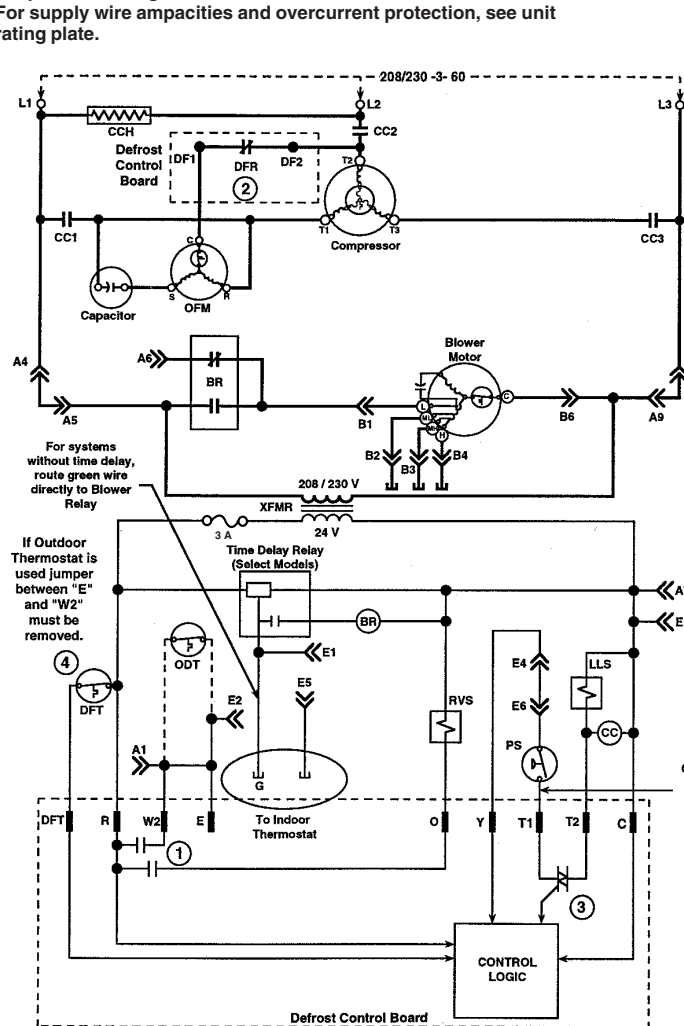
Three Phase

60Hz

NOTES:

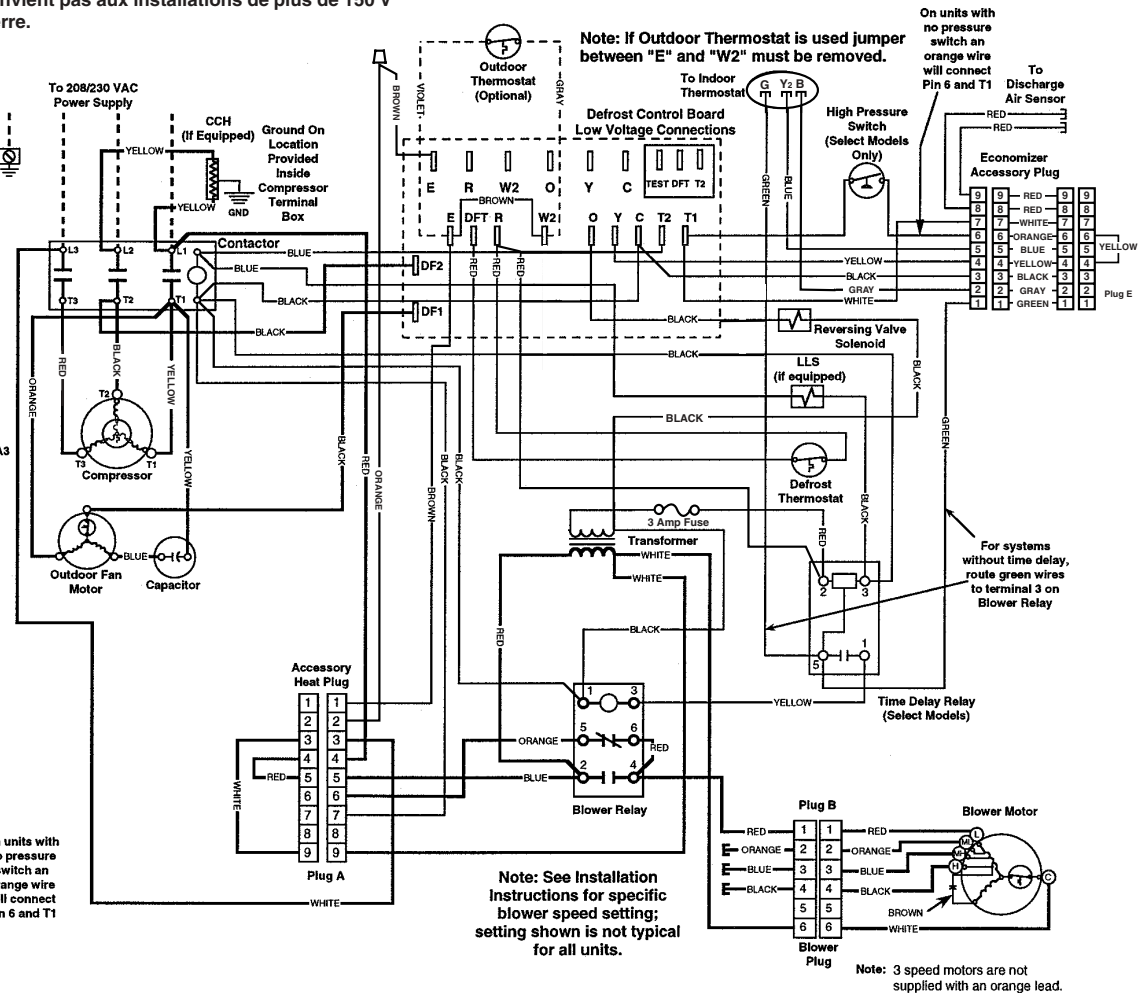
1. Disconnect all power before servicing.
2. For supply connections use copper conductors only.
3. Not suitable on systems that exceed 150 V to ground.
4. If any of the original wire as supplied with the furnace must be replaced, it must be replaced with wiring material having a temperature rating of at least 105°C.
5. For supply wire ampacities and overcurrent protection, see unit rating plate.

1. Couper le courant avant de faire letretien.
2. Employez uniquement des conducteurs en cuivre.
3. Ne convient pas aux installations de plus de 150 V a la terre.



BR - BLOWER RELAY
 CC - COMPRESSOR CONTACTOR
 CCH - CRANKCASE HEATER (IF EQUIPPED)
 DFT - DEFROST THERMOSTAT
 LLS - LIQUID LINE SOLENOID (IF EQUIPPED)
 ODT - OUTDOOR THERMOSTAT(OPTIONAL)
 RVS - REVERSING VALVE SOLENOID
 PS - PRESSURE SWITCH (SELECT MODELS)
 3A - 3 AMP FUSE

A1 >> - INDICATES PLUG CONNECTION LETTER INDICATES WHICH PLUG
 1 - 6 INDICATES PIN NUMBER.



DEFROST BOARD OPERATION:

- 1 CLOSURES DURING DEFROST. RATING: 1 A MAXIMUM
- 2 OPENS DURING DEFROST. RATING: 2 HP AT 230 VAC MAXIMUM
- 3 CLOSED WHEN "Y" IS ENERGIZED. OPEN WHEN "Y" IS DEENERGIZED. PROVIDES "OFF" DELAY TIME OF 5 MIN WHEN "Y" IS DEENERGIZED.
- 4 WITH DFT CLOSED AND "Y" ENERGIZED, COMPRESSOR RUN TIME IS ACCUMULATED. OPENING OF DFT DURING DEFROST OR INTERVAL PERIOD RESETS THE INTERVAL TO 0.

Note: See Installation Instructions for wiring, application, and information concerning accessory Heat Kits and other options.

Field Wiring	---
Factory Wiring	_____
Low Voltage	_____
High Voltage	_____

710331B (Replaces 710331A)