

WIRING DIAGRAM

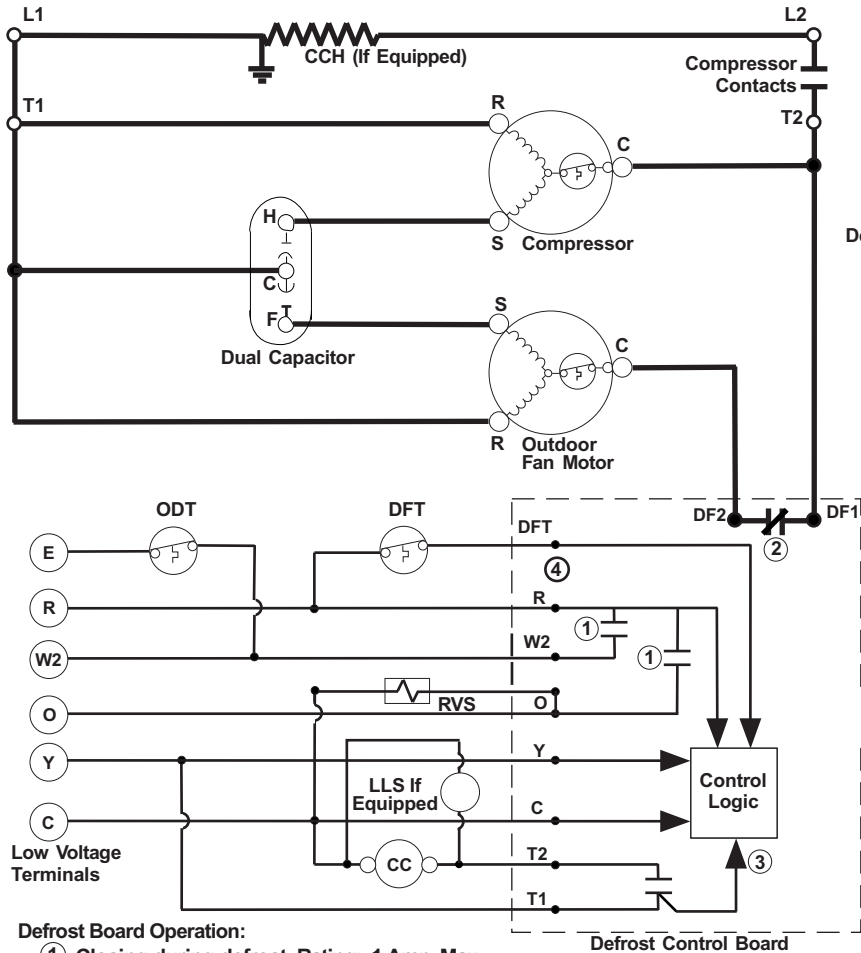
Split System Heat Pump (Outdoor Section)

Single Phase

NOTES:

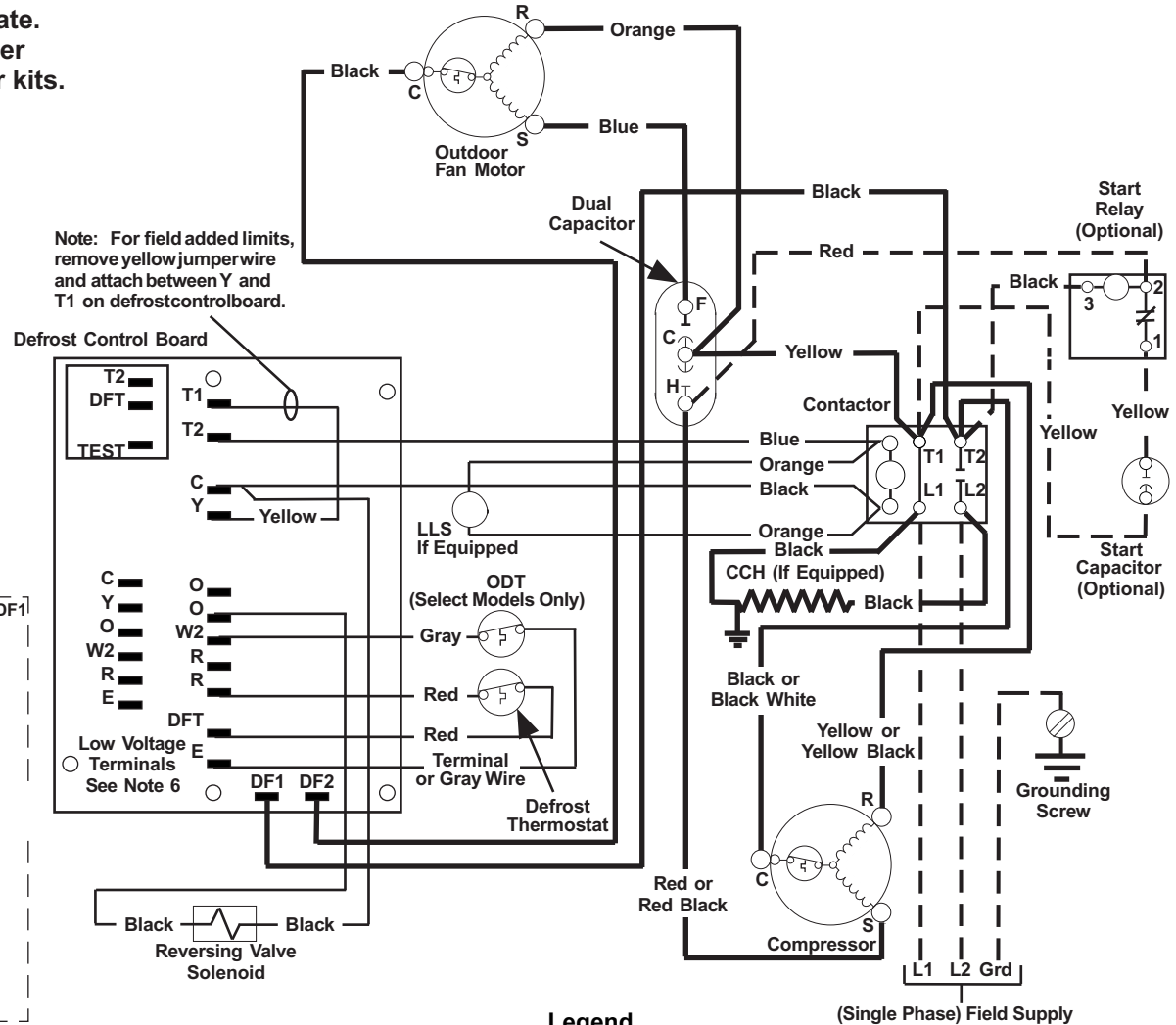
1. Disconnect all power before servicing.
2. For supply connections use copper conductors only.
3. Not suitable on systems that exceed 150 volts to ground.
4. For replacement wires use conductors suitable for 105 C.
5. For ampacities and overcurrent protection, see unit rating plate.
6. Connect to 24 vac/40va/class 2 circuit. See furnace/air handler instructions for control circuit and optional relay/transformer kits.

1. Couper le courant avant de faire letretien.
2. Employez uniquement des conducteurs en cuivre.
3. Ne convient pas aux installations de plus de 150 volt a la terre.



Defrost Board Operation:

- ① Closing during defrost. Rating: 1 Amp. Max.
- ② Opens during defrost. Rating: 2 HP at 230 Vac Max.
- ③ Closed when "Y" is on. Open when "Y" is off. Provides "off" delay time of 5 min. when "Y" opens.
- ④ With DFT closed and "Y" closed, compressor run time is accumulated. Opening of DFT during defrost or interval period resets the interval to 0.



- CC - Contactor Coil
 CCH - Crankcase Heater (If Equipped)
 DFT - Defrost Thermostat
 LLS - Liquid Line Solenoid (If Equipped)
 RVS - Reversing Valve Solenoid
 ODT - Outdoor Thermostat (Select Models Only)



710235A

06/03

(Replaces 7102350)