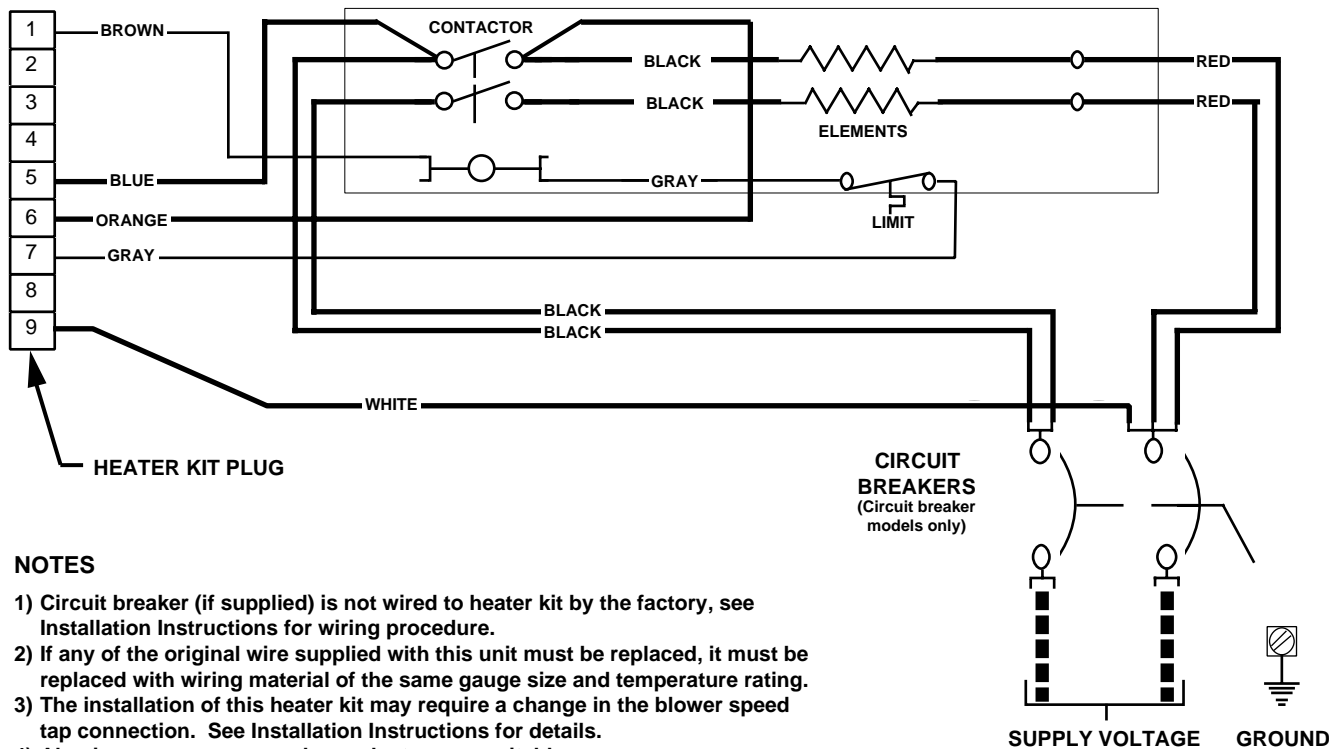


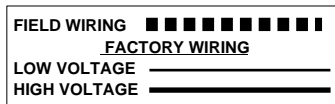
WIRING DIAGRAM

H4HK008H-11A, H4HK008H-01A (without circuit breaker) 8, 10kW, 1-Stage, 240 VAC, 1-Phase Electric Heater Kit
 H4HK010H-11A, H4HK010H-01A (without circuit breaker)
 H3HK008H-01A (without circuit breaker)
 H3HK010H-01A (without circuit breaker)



NOTES

- 1) Circuit breaker (if supplied) is not wired to heater kit by the factory, see Installation Instructions for wiring procedure.
- 2) If any of the original wire supplied with this unit must be replaced, it must be replaced with wiring material of the same gauge size and temperature rating.
- 3) The installation of this heater kit may require a change in the blower speed tap connection. See Installation Instructions for details.
- 4) Aluminum or copper supply conductors are suitable.



710211C (Replaces 710211B)