

## Light Commercial

# Installation Instructions

## Condenser Hail Guard Kit

### 12.5 and 15 Ton #919129

This plastic mesh hail guard kit is specifically designed to protect against minor size hail on NORDYNE GR4GM-150 and GR4GM-180 condenser coils

---

### WARNING!

---

**This kit is to be installed by a qualified service technician in accordance with these instructions and all codes having jurisdiction. Failure to follow these instructions could result in serious injury, property damage or death.**

---

These instructions are primarily intended to assist qualified individuals experienced in the proper installation of this appliance. Some local codes require licensed installation/service personnel for this type of equipment.

This kit contains:

- 1 – Plastic Mesh Hail Guard
- 1 – Installation Instruction Sheet
- 10 - 9" Wire Ties

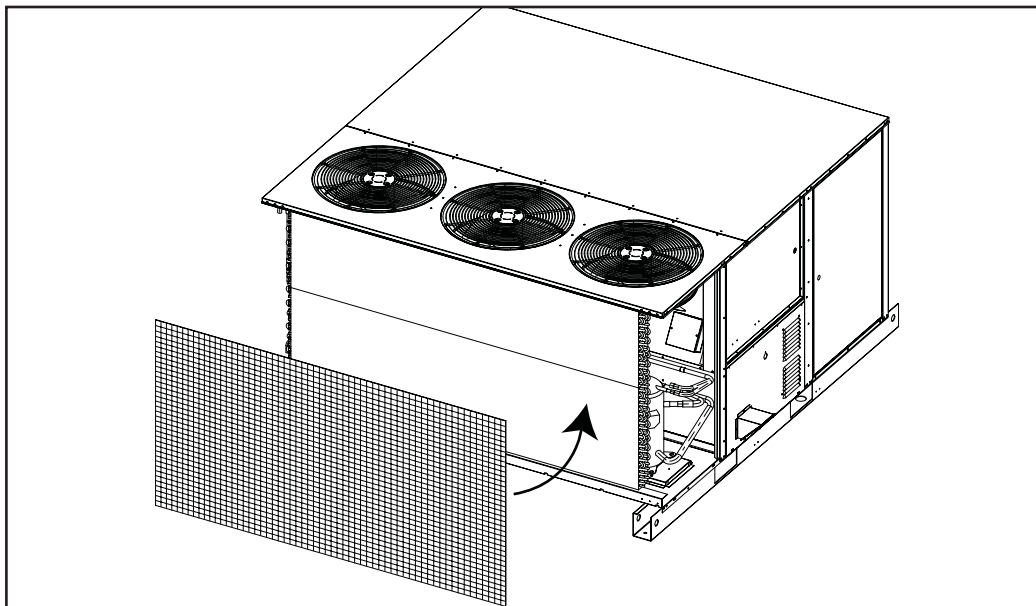


Figure 1.

## Installation

1. DISCONNECT ALL ELECTRICAL POWER TO THE UNIT TO AVOID CONDENSER FAN START UP.
2. Remove both Compressor Access Panels from the unit.
3. Carefully remove both Condenser Corner Posts from the unit and set screws aside for later use. See Figure 1.
4. Slide the hail guard up under the unit top pan and center across front of coil. Ensure there is enough overlap at each end and loosely secure one side at the top using a wire tie through one of the coil return bends. See Figure 2.
5. Repeat this for opposite side top of hail guard making sure the guard is pulled tight and is square to the coil.

6. Evenly space the remaining wire ties down both sides and tighten while ensuring all excess material is pulled to the sides leaving the guard pulled tightly across the coil. Wire ties should not be left to interfere with re-attaching of the corner posts.
7. Carefully re-attach both corner posts and replace both Compressor Access panels.
8. Restore all Electrical power back to unit and check for proper unit operation.

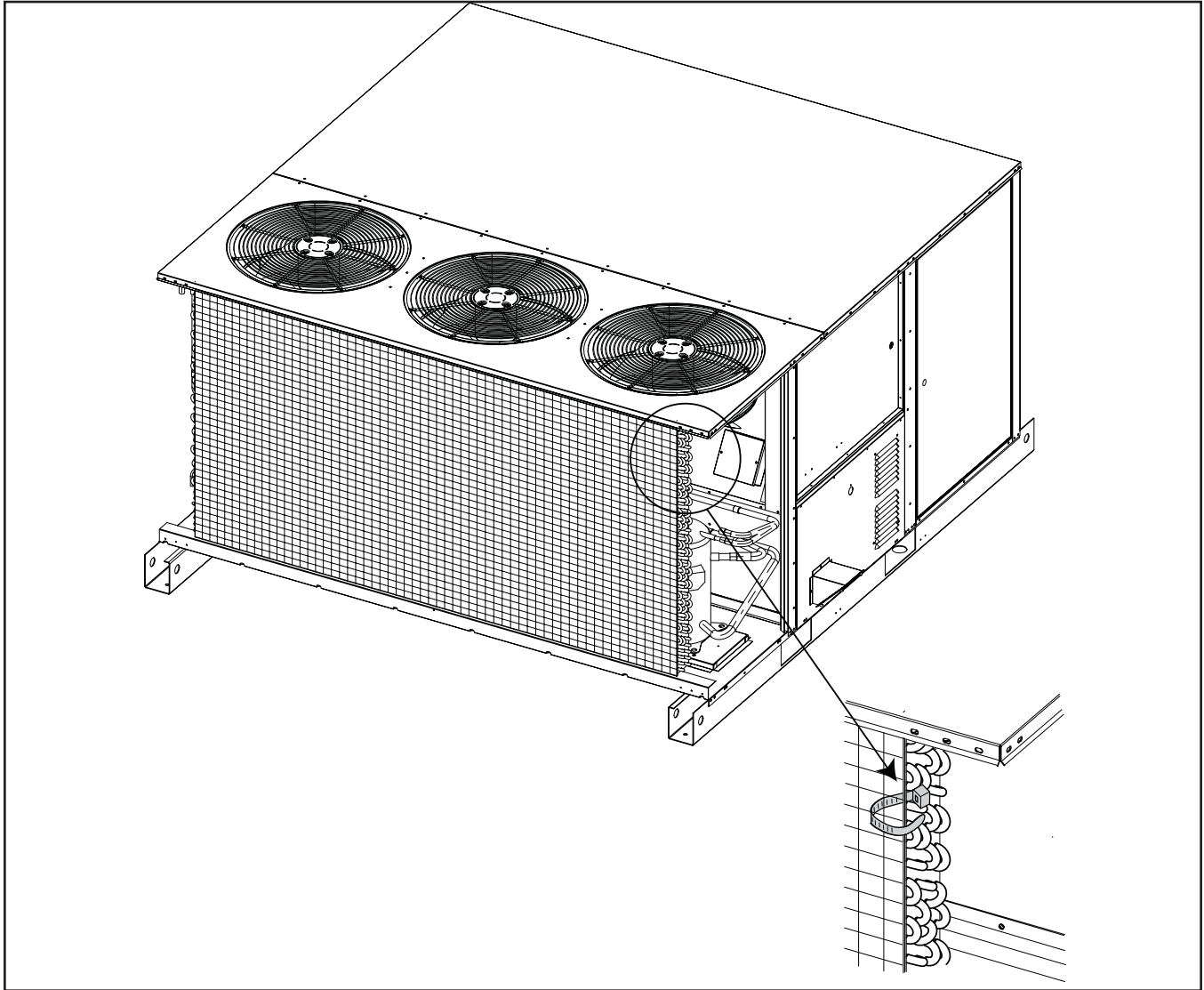


Figure 2.

---

**INSTALLER: PLEASE LEAVE THESE INSTALLATION  
INSTRUCTIONS WITH THE OWNER**

---

