

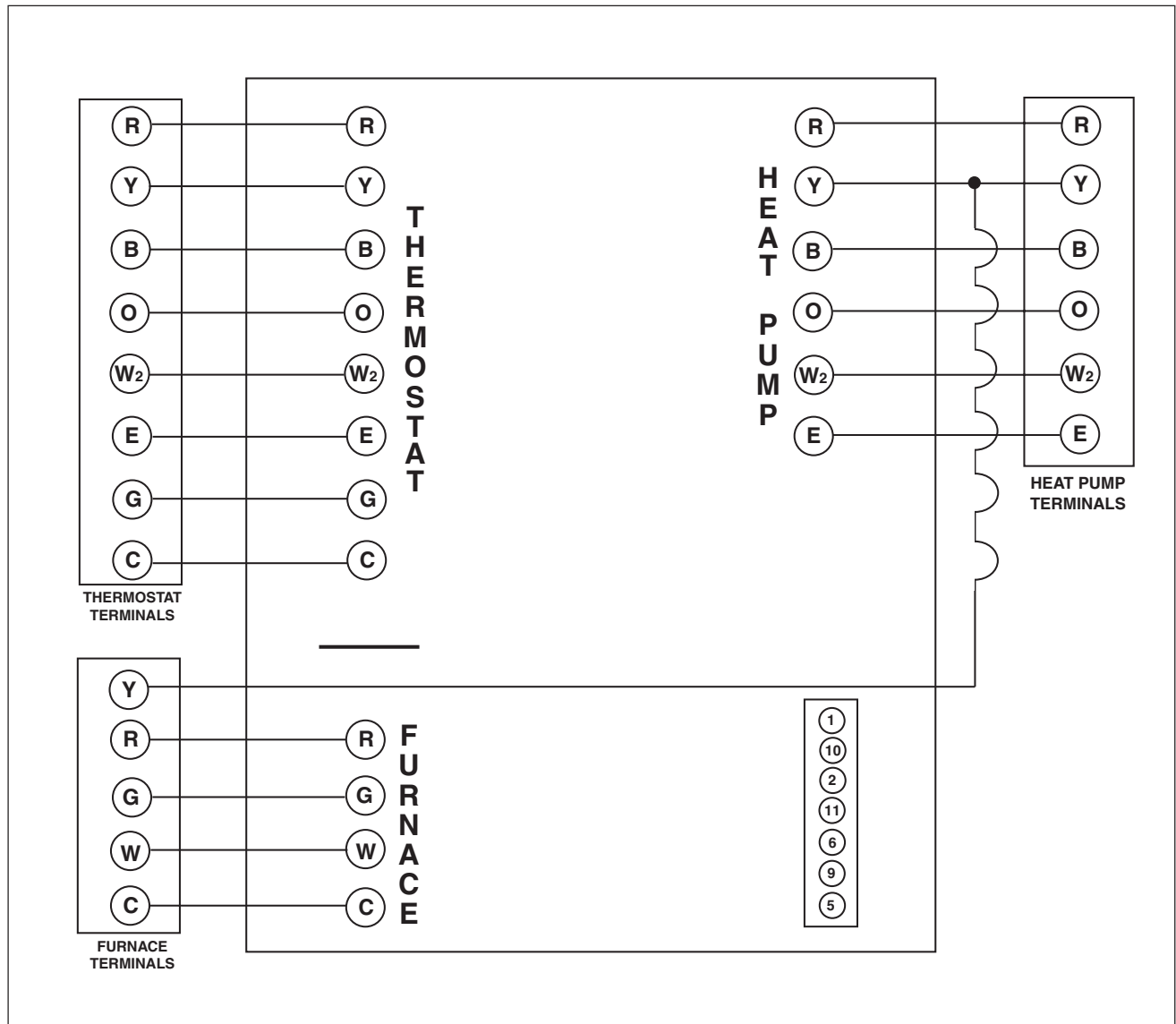
# Installation Instructions

## ADDENDUM

### Dual Fuel Kit

#### Low Voltage Control Wiring

In order to ensure proper blower operation in the cooling and heat pump modes, the "Y" terminal on the furnace control board must be connected to the "Y" output of the dual fuel kit. See the wiring diagram below.



Dual Fuel Kit Terminals

