

Installation Instructions

P4/Q4 460V Electric Heater Retrofit

1. Verify that the kit that you received contains the 12 pin plastic connector with seven wires attached and the red four-inch jumper wire.
2. If this kit is to be used on a (*)P4 unit, it will be necessary to remove the 1/4 inch quick connect terminal and strip approximately 1/2 inch of insulation from the brown wire attached to the 12 pin connector. This wire will later be connected to the W2 Thermostat wire.
3. Remove the RED wire that runs between the L1 terminal on the Contactor and the 460V side of the Transformer. Next remove the WHITE wire that runs between the L3 terminal on the Contactor and the 460V side of the Transformer. (See Figure 1.)
4. Connect the piggyback terminal of the RED 4 inch jumper wire (included with this kit) to the #3 terminal on the Blower Relay. Connect the remaining side of the RED jumper wire to the #4 terminal on the Blower Relay. (See Figures 2 & 3.)
5. Connect the ORANGE wire on the 12 pin connector to the #5 terminal of the Blower Relay.
6. Connect the BROWN wire on the 12-pin connector to the W2 Thermostat wire lead.
7. Connect the BLACK wire on the 12-pin connector to the Transformer side of the Contactor Coil.
8. Continue Heater Kit installation as normal.

WIRING CHANGES FOR THE (*)Q4 UNITS (Refer to Figure 3.)

WIRING CHANGES FOR THE (*)P4 UNITS (Refer to Figure 2.)

1. Connect the WHITE wire from Pin 1 on the 12-pin connector to the L3 terminal of the Contactor.
 2. Connect the WHITE wire from Pin 2 on the 12-pin connector to the 460V side of the Transformer.
 3. Connect the RED wire on the 12 pin connector to the L1 terminal of the Contactor.
 4. Connect the BLUE wire on the 12 pin connector to the #1 terminal of the Blower Relay.
 5. Connect the ORANGE wire on the 12 pin connector to the #5 terminal of the Blower Relay.
 6. Connect the BROWN wire on the 12-pin connector to the "E" terminal on the Defrost Control Board.
 7. Connect the BLACK wire on the 12-pin connector to the Transformer side of the Contactor Coil.
 8. Continue Heater Kit installation as normal.
-

NOTES:

- | | |
|--|--|
| 1. Disconnect all power before servicing. | 1. Couper le courant avant de faire letrretien. |
| 2. For supply connections use copper conductors only. | 2. Employez uniquement des conducteurs en cuivre |
| 3. If any of the original wire as supplied with the furnace must be replaced, it must be replaced with wiring material having a temperature rating of at least 105° C. | |
| 4. For supply wire ampacities and overcurrent protection, see unit rating plate. | |

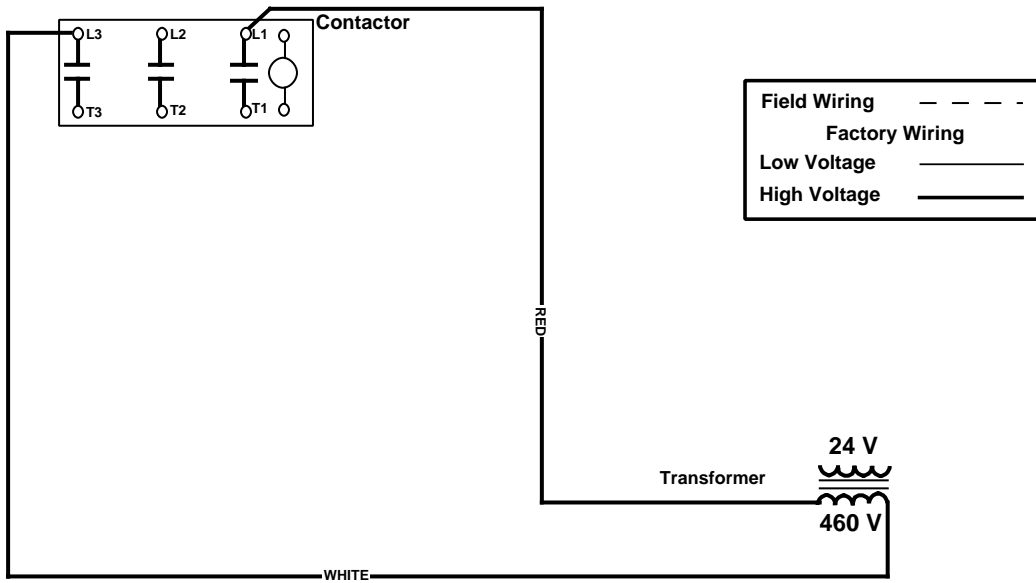


Figure 1. Convertible Packaged AC/HP: Heater Kit Retrofit (Wires to Remove)

NOTES:

- | | |
|---|--|
| 1. Disconnect all power before servicing. | 1. Couper le courant avant de faire letretien. |
| 2. For supply connections use copper conductors only. | 2. Employez uniquement des conducteurs en cuivre |
| 3. If any of the original wire as supplied with the furnace must be replaced, it must be replaced with wiring material having a temperature rating of at least 105 C. | |
| 4. For supply wire ampacities and overcurrent protection, see unit rating plate. | |

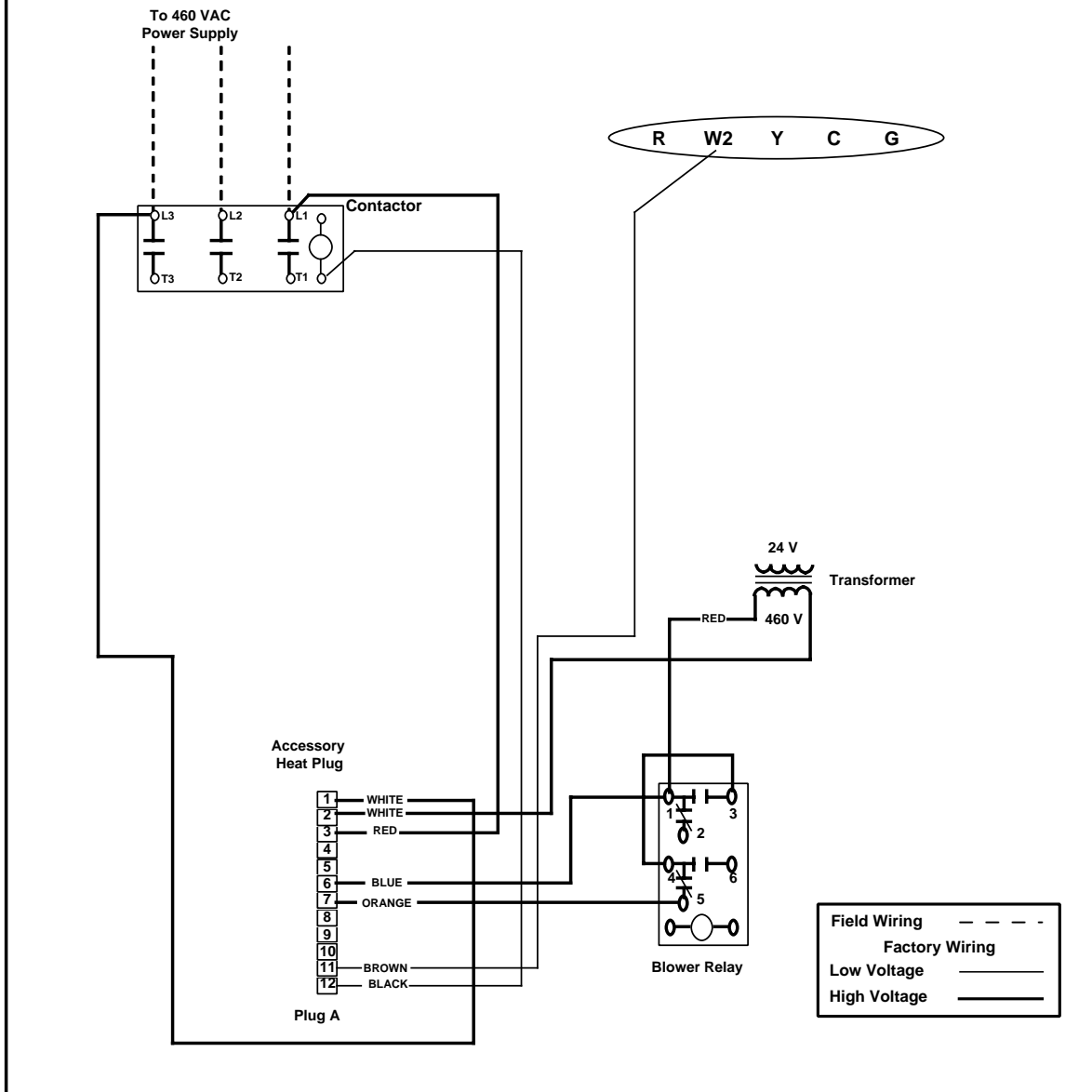


Figure 2. Convertible Packaged AC: Heater Kit Retrofit (Wires to Add)

NOTES:

- | | |
|---|--|
| 1. Disconnect all power before servicing. | 1. Couper le courant avant de faire leretien. |
| 2. For supply connections use copper conductors only. | 2. Employez uniquement des conducteurs en cuivre |
| 3. If any of the original wire as supplied with the furnace must be replaced, it must be replaced with wiring material having a temperature rating of at least 105 C. | |
| 4. For supply wire ampacities and overcurrent protection, see unit rating plate. | |

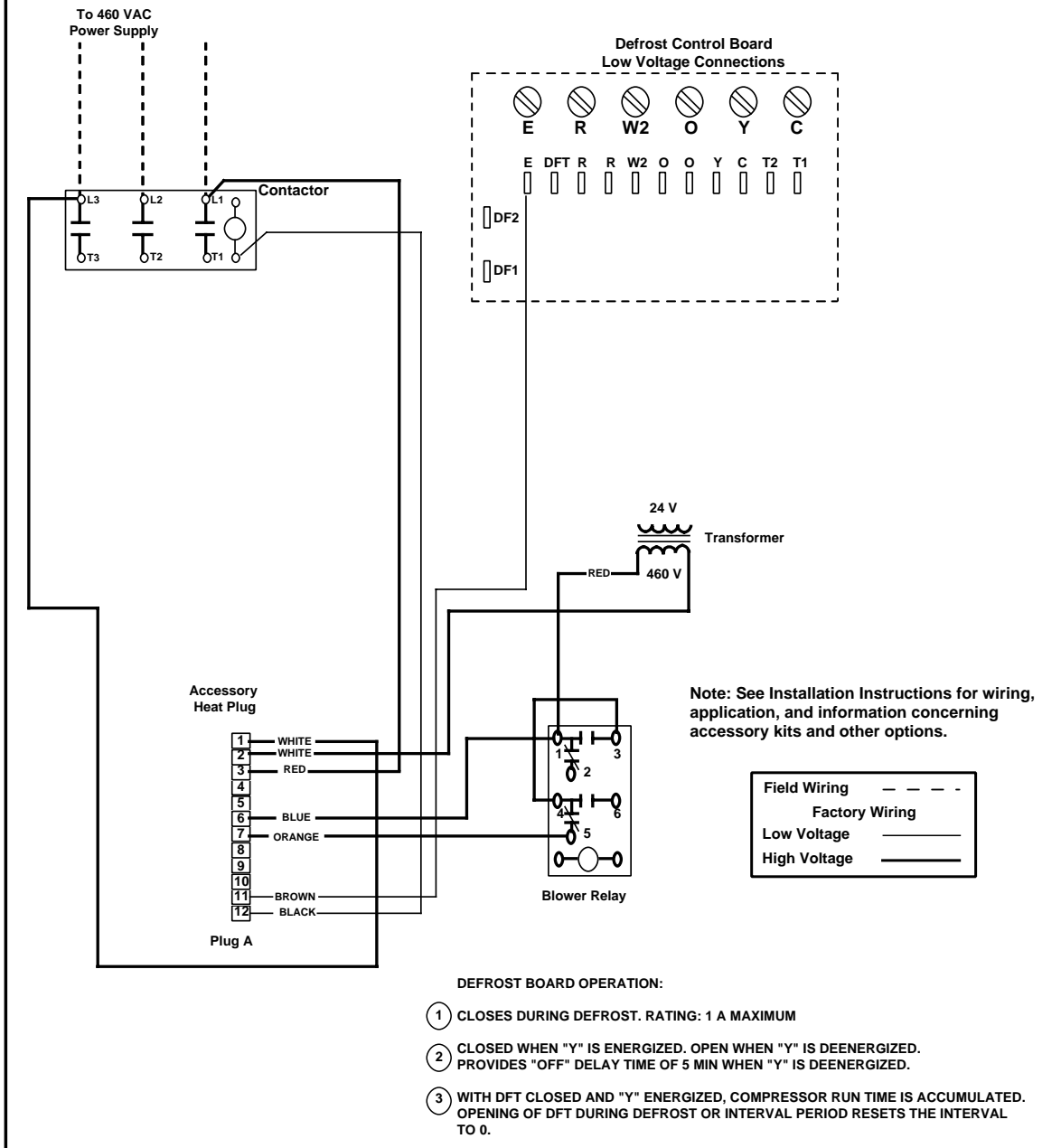


Figure 3. Convertible Packaged Heat Pump: Heater Kit Retrofit (Wires to Add)



708035



We Encourage Professionalism
 Through Technician Certification by NATE

7080350

Specifications and illustrations subject to change without notice and without incurring obligations.
 Printed in U.S.A. (10/00)