

Single Package Air Conditioner and Heat Pumps

Installation Instructions

Head Pressure Control Kit 913550

These instructions are primarily intended to assist qualified individuals experienced in the proper installation of heating and/or air conditioning appliances. Before beginning the installation, read these instructions thoroughly and follow all warnings and cautions in the instructions and on the unit. Improper installation, service, adjustment, or maintenance can cause explosion, fire, electrical shock, or other conditions which may result in personal injury or property damage.

INTRODUCTION

The Head Pressure Control Kit is designed for use in the single package air-conditioner, gas electric, and heat pump products. The kit consists of a pressure switch, a service adapter tee, and miscellaneous parts for mounting. The pressure switch opens when the head pressure rises above 425 psig and closes again when the head pressure drops below 350 psig. Opening of the switch, stops the compressor and initiates the 5 minute compressor delay. The system will not start again until the head pressure drops below 350 psig and a 5 minute time period has expired.

INSTALLATION

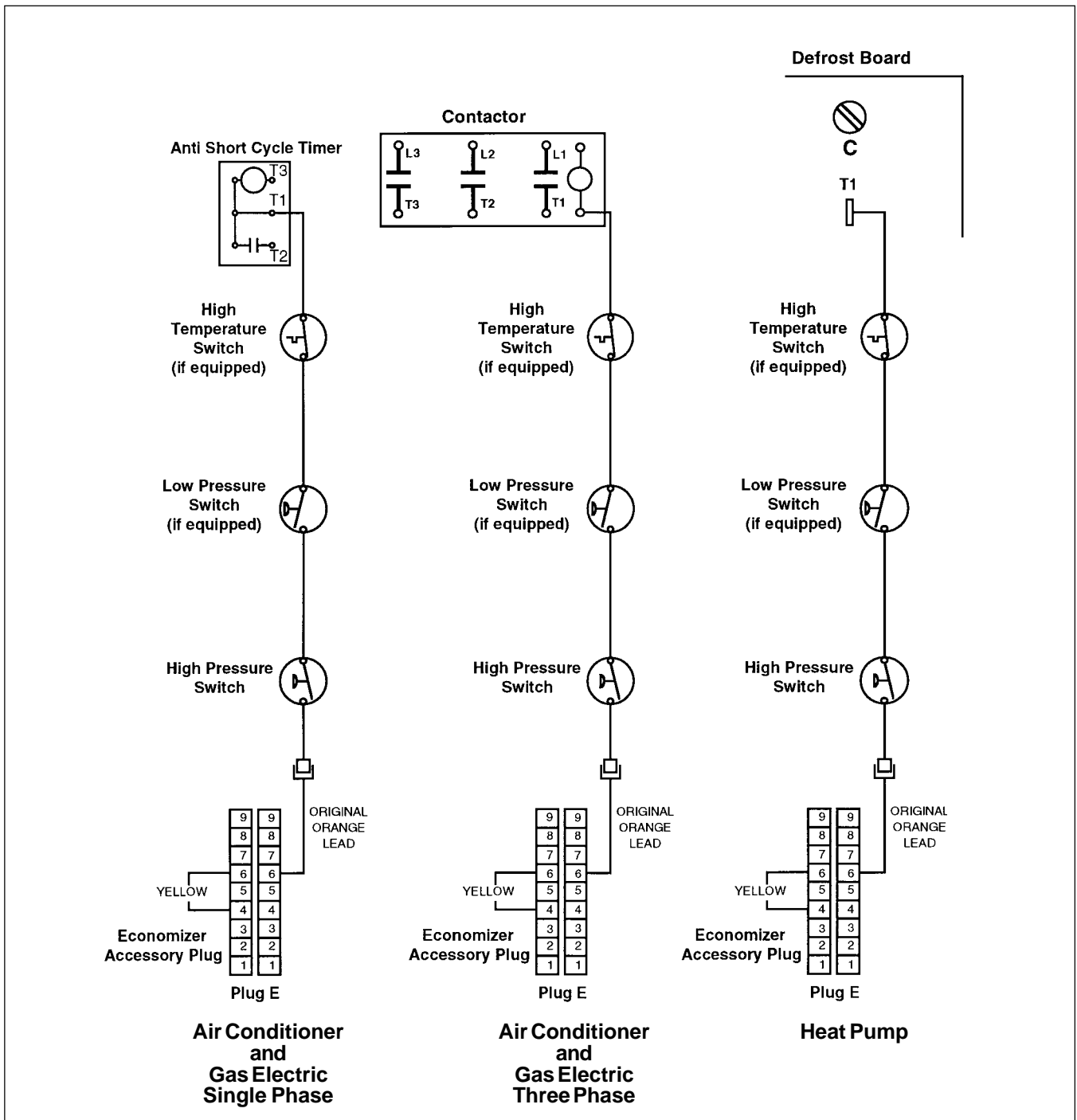


WARNING:

To avoid risk of electric shock, personal injury, or death, disconnect electrical power to the unit before performing any maintenance or service. The unit may have more than one electric power supply.

The installation sequence is as follows:

1. Read these instructions completely before proceeding.
2. Disconnect all power to the unit.
3. At front of the unit remove the service panel to the control box. This will have all of the electrical control components within and in the case of the gas electric units the gas control components as well.
4. Remove the front panel with the service ports and drain tube opening from the unit.
5. There are two service valves in the interior of the unit. Locate the one in the 1/2" diameter compressor discharge line.
6. Remove the cap from the service valve. Mount the pressure switch on the service valve and tighten. If desired, a service adapter tee is supplied with the kit to keep a service port available. Be sure that the service valve cores shipped with the kit are inserted in the valve bodies before proceeding. If used, place the cap removed from the service valve on the service adapter tee.
7. Route the two wire leads from the switch through the wire grommet at the top of the panel separating the compressor from the control box.
8. Terminate one of the leads with the insulated 1/4" female push on terminal. Terminate the other lead with the insulated 1/4" male terminal. Both terminals are supplied with the kit.
9. Refer to the appropriate wiring diagram in these installation instructions. Find the orange wire currently in the unit running from the economizer plug to the anti short cycle timer (single phase air conditioners), contactor (three phase air conditioners), or defrost board (heat pumps). Remove this orange lead from the anti short cycle timer, contactor, or defrost board as appropriate. Replace the uninsulated terminal on this wire with a insulated 1/4" female terminal provided in the kit. Connect this insulated female terminal to the insulated male terminal on one of the pressure switch leads. Connect the insulated female terminal on the other pressure switch lead to the anti short cycle timer, contactor, or defrost board as appropriate.
10. If you are installing a low pressure switch or other limiting device in addition to the high pressure switch in this kit, wire the switches in series as shown below.
11. Insure the unit is wired up as shown in the wiring diagram in this kit.
12. Tie wires back as necessary.
13. Replace all removed panels.
14. Test operation of unit.



INSTALLER:

**PLEASE LEAVE THESE
INSTALLATION INSTRUCTIONS
WITH THE HOMEOWNER.**