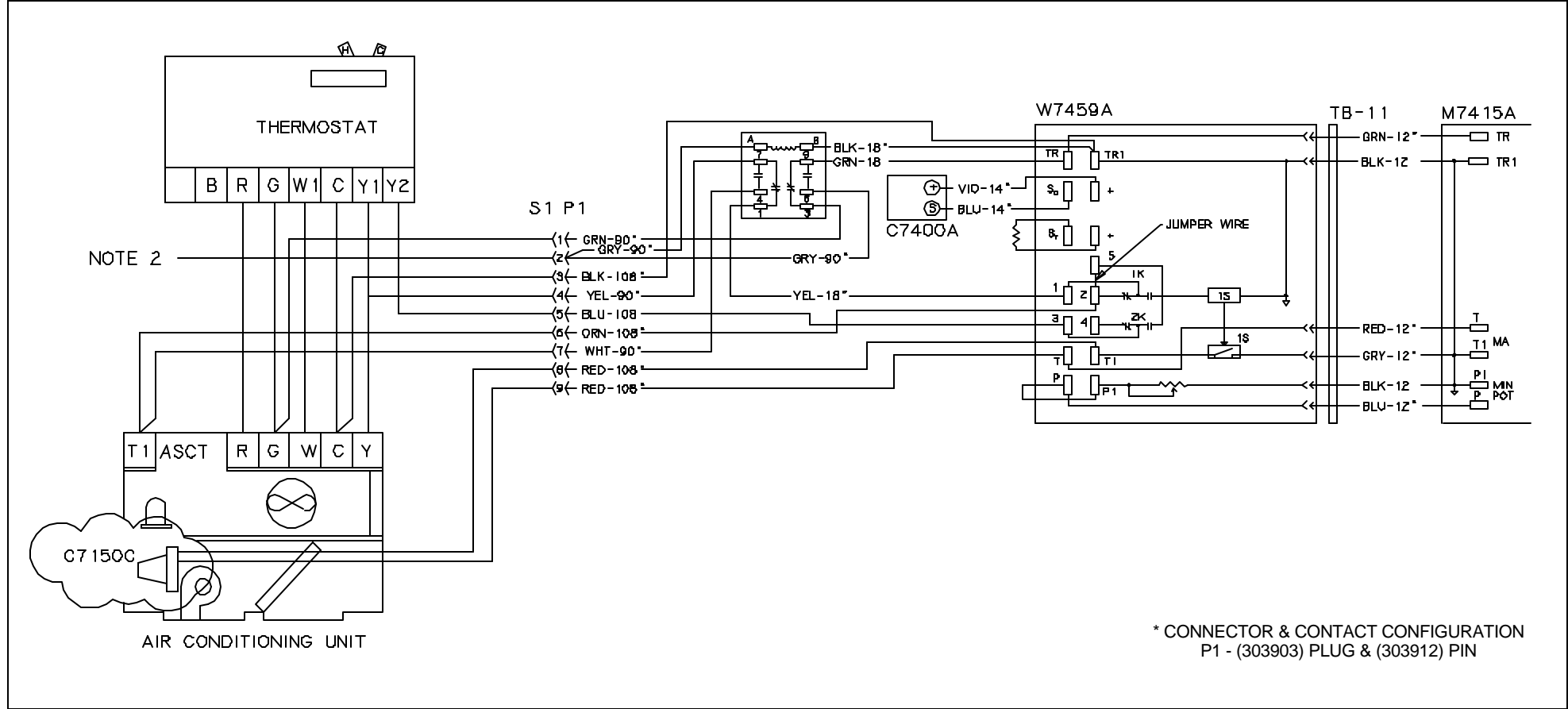


MATERIALSLIST		
QTY.	RSI PART#	DESCRIPTION
228"	303000	Wire 18 Ga. Red
120"	303001	Wire 18 Ga. Green
14"	303002	Wire 18 Ga. Violet
108"	303003	Wire 18 Ga. Yellow
150"	303004	Wire 18 Ga. Black
90"	303005	Wire 18 Ga. White
134"	303006	Wire 18 Ga. Blue
108"	303007	Wire 18 Ga. Orange
192"	303008	Wire 18 Ga. Gray
1	303100	#1/HW Motor
1	303101	Logic Module
1	303103	Mixed Air Sensor
1	303140	Enthalpy Control
1	303402	Relay DPDT
1	303510	TB-11 Board
1	303604	Male 1/4" Push On Adaptor
23	303605	Female 1/4" Quick Disc. (Red)
5	303607	Female 1/8" Quick Disc. (Red)
1	303616	Female 1/8" Quick Disc. (Blue)
10	303620	Wire Ties 3/4" L
1	303903	AMP 9 Cir Plug Conn Male
5	303912	AMP Pin Contact Male

HARNESS DETAIL	COMPONENT CODE	WIRE COLOR CODE
E# = WIRE END DESIGNATION E2 STUD #6 18 Ga. Wire E3 Female 1/4 Quick Disc. E4 Male 1/4 Quick Disc. Insul E6 Wire Nut Size 73B E7 Raw End E8 Female 3/16 Quick Disc.	C7400A	Fresh Air Sensor
	M7415A	Damper Actuator 24v
	C7150C	Mixed Air Sensor
	W7459A	Logic Module
	P1	Economizer Plug
	S1	Unit Economizer Plug
	TB-11	Terminal Board

HARNESS ENDS AT P1



Notes:

- Unit wiring shown as reference only. Check unit wiring for actual unit wiring.
- Connection: "R4" units: Yellow side of gas valve
 "P4" units: "W" on A/C unit
 "Q4" units: "B" on in door thermostat sub-base.
- Y2 must be energized for the compressor to operate during economizer operation.

Modulating Economizer
 R4GA/GC 024-060 P4SA/SC Q4SA/SC 036-060

Roof top Systems, Inc. 2405 McIver Lane Carrollton, Texas 75006 Phone (972) 247-7447 Fax (972) 243-0940	Date: January 14, 2002 Supercedes 01-10-02 Drawn by: Unit # 47-314-06 Diagram # 31406W
---	--