

TECHNICAL SPECIFICATIONS

B5VM Series

iQ Drive®

23 SEER Residential System

Indoor Sections

Variable Speed Air Handler

C6 Series

Residential Indoor Coils with EXV



WARRANTY

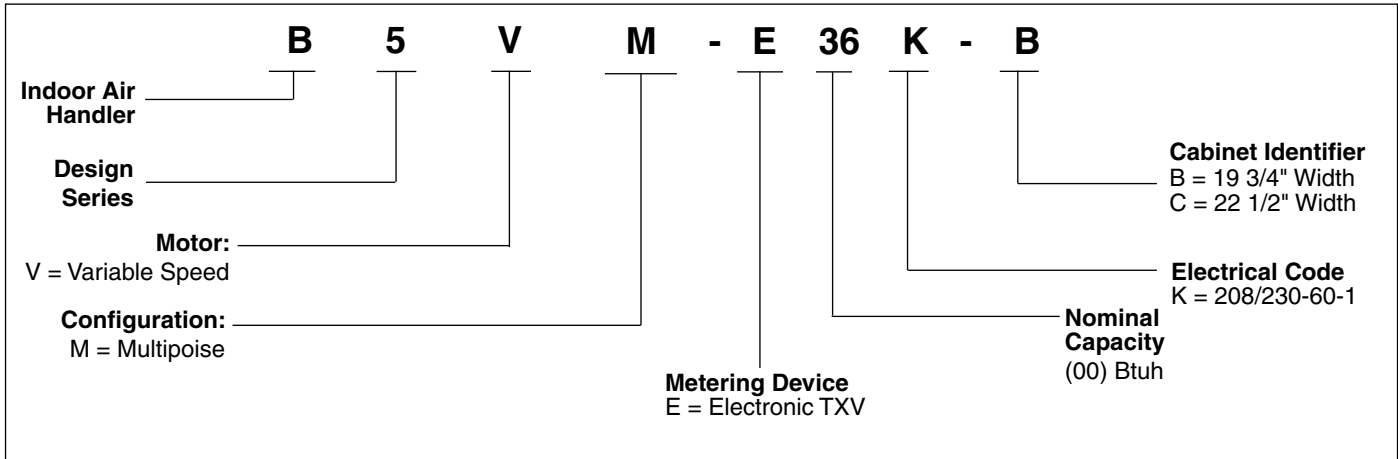
This product offers a 10-year all-parts warranty when registered. See current warranty document or visit our consumer web site listed on the back of this document for warranty details.

FEATURES and BENEFITS

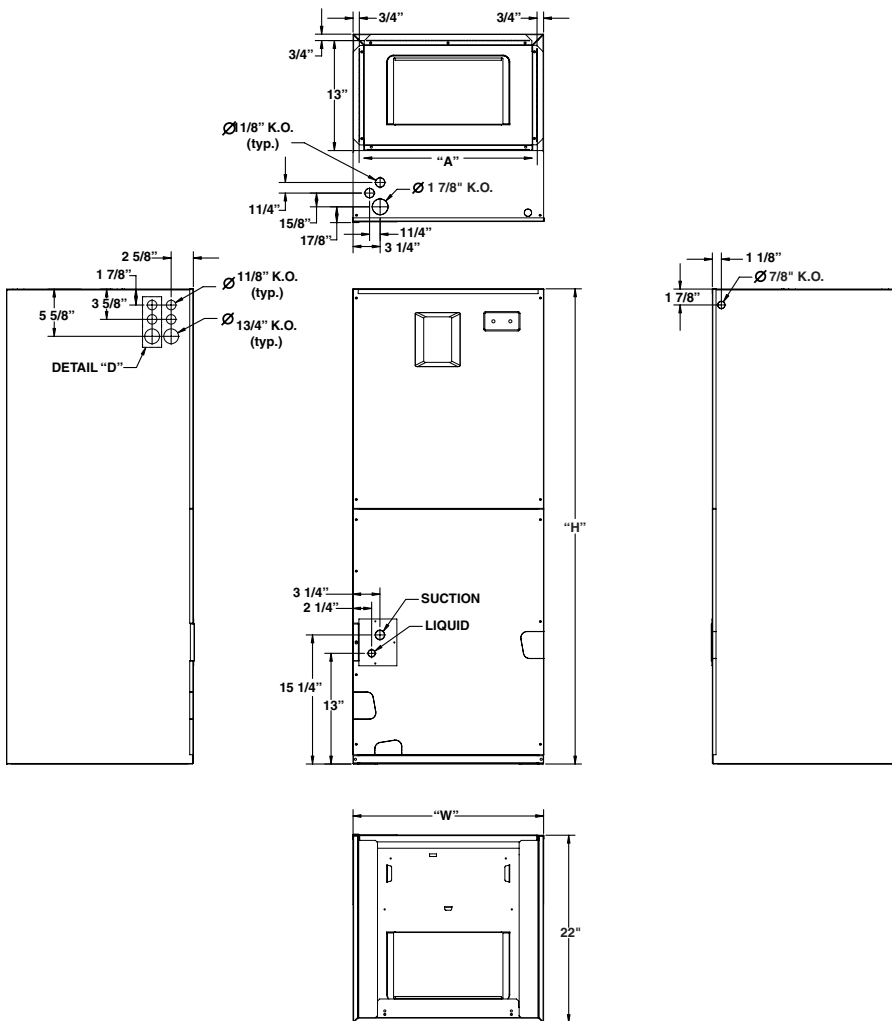
- **Durable, Attractive Cabinet** — Designed using galvanized steel. The door is also galvanized steel, with a polyester urethane finish. The 950 hour salt spray finish resists corrosion 50% better than comparable units. The plastic drain pan is corrosion-resistant.
- **Multi-poised** — Can be used in horizontal, upflow, downflow and vertical applications.
- **Increased Efficiencies** — Air conditioning efficiencies up to 23 SEER.
- **Variable Speed Motor** — Advanced technology allows for automatic selection of cooling airflows and heating airflows to match any application.
- **Quiet Blower Operation** — Extra quiet and smooth blower on and off cycles.
- **Reduced air stratification** — This results in improved air quality by optimizing humidity removal and filtration capabilities.
- **Ease-of-Service** — Plug-in wire connections and built-in filter rack makes the air handler easy to service.
- **Plug-in Heater Kits** — Available in 5 kw - 30 kw
- **Air Handler Control Board** — Controls time-sequencing of heat stages with field-selectable sequence timing.
- **Breaker Accessibility** — Breaker accessible from front of unit when heater is applied.
- **No Fasteners on Sides or Back** — Smooth surfaces for ease of installation.
- **Cabinet Insulation** — 1" insulation with an R-value of 4.2 contributes to quiet operation and prevents cabinet sweating in difficult applications.

B5 AIR HANDLER

MODEL IDENTIFICATION CODE



DIMENSIONS



SPECIFICATIONS

Model Number	B5VM-	*E36K-B	*E48K-C
Nominal cooling capacity - BTUh ¹		36000	48000
Metering Device		EXV	EXV
Maximum Available Auxiliary Heat		20	30
Nominal Blower Size (Dia. x Width)		11 x 8	11 x 10
Motor Hp-speeds-type		1/2-VS	3/4-VS
Filter Size (supplied internal filter rack) ²		18x20x1	20x20x1
Approximate Shipping Weight, lbs		114	154
Height, "H", in.		49-5/16	55-15/16
Width, "W", in.		19-11/16	22-7/16
Supply Air Outlet Dimension, in.		12-7/8 x 18-1/4	12-7/8 x 21
Ref. Connection Sizes, in. (suc./liq.)		7/8 - 3/8	7/8 - 3/8
Range SCFM		500-1110	680-1455

¹ See current ARI Directory for certified combinations and ratings.

² Filter is not supplied with unit.

ELECTRICAL DATA

			Variable Speed Air Handler											
			Min. Circuit Ampacity				Max. Over-Current Protection							
			Circuit A	Circuit B	Circuit C	Single Circuit	Circuit A	Circuit B	Circuit C	Single Circuit				
Model Number H6HK-	Voltage	KW												
005H-XX	240	4.8	-	-	-	32.3	-	-	-	40				
008H-XX	240	7.5	-	-	-	46.3	-	-	-	50				
010H-XX	240	9.6	-	-	-	57.3	-	-	-	60				
015H-XX	240	14.4	57.3	25.0	-	82.3	60	30	-	90				
020H-XX	240	19.2	57.3	50.0	-	107.3	60	60	-	125				
025H-XX	240	24.0	57.3	50.0	25.0	132.3	60	60	30	150				
030H-XX	240	28.8	57.3	50.0	50.0	157.3	60	60	60	175				
005H-XX	208	3.6	-	-	-	28.9	-	-	-	30				
008H-XX	208	5.6	-	-	-	40.9	-	-	-	50				
010H-XX	208	7.2	-	-	-	50.5	-	-	-	60				
015H-XX	208	10.8	50.5	21.6	-	72.2	60	25	-	80				
020H-XX	208	14.4	50.5	43.3	-	93.8	60	50	-	100				
025H-XX	208	18.0	50.5	43.3	21.6	115.4	60	50	25	125				
030H-XX	208	21.6	50.5	43.3	43.3	137.1	60	50	50	150				

ACCESSORIES

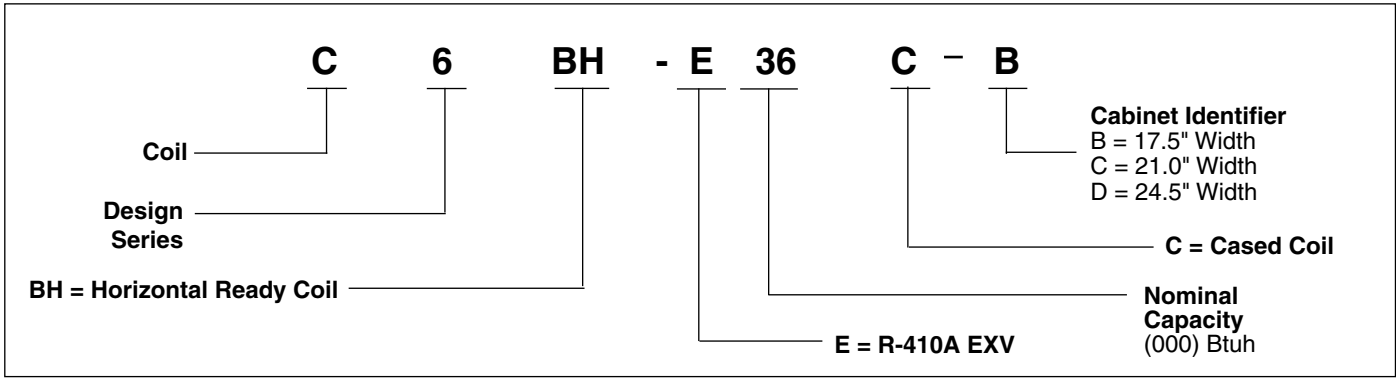
Accessory Kit Description	Cabinet Size		Order Number
	B	C	
Down-flow adaptor kit	X		919321
		X	919322
Single circuit adaptor for 2 circuit breakers	X	X	913874
Single circuit adaptor for 3 circuit breakers	n/a	X	913556
Horizontal conversion kit for vertical-only units	X		919405
		X	914730

240V Single-Phase Heater Kit Application

Nominal KW	Matched Units		Order Number	
	36K-B	48K-C	With Circuit Breakers	Without Circuit Breakers
5	X	X	904407	904406
8	X	X	904409	904408
10	X	X	904412	904411
15	X	X	904414	n/a
20	X	X	904416	n/a
25	n/a	X	904417	n/a
30	n/a	X	904418	n/a

C6 COIL

MODEL IDENTIFICATION CODE



COIL DATA TABLES

Model C6BH	E36-B	E36-C	E48-C	E48-D
Face Area (ft ^2)	5.58	5.58	6.42	6.42
Rows	3	3	3	3
Fins per inch	14	14	14	14
Refrigerant Flow Control	EXV	EXV	EXV	EXV
Nominal Airflow (cfm)	1,200	1,200	1,500	1,600
Pressure drop at nominal airflow (in w.c.)	0.21	0.21	0.30	0.30
Connections:	Liquid Line			
Inches	3/8	3/8	3/8	3/8
	Suction Line			
	3/4	7/8	7/8	7/8

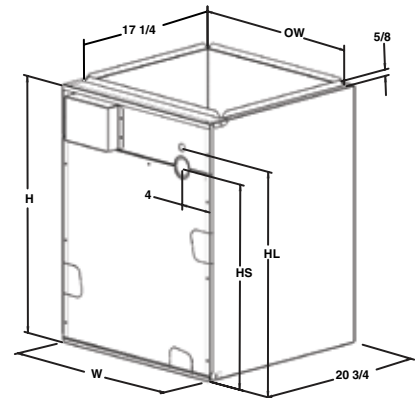


Figure 1. Cased Coil

Cased Coil Dimensions

Cabinet Identifier		Overall		Top Opening	Bottom Opening	Horizontal Drain Pan Extension
		W	H	A	B	C
B	E36	17 1/2	26	16 1/8	8 3/8	2 3/4
C	E36	21	30	19 5/8	11 7/8	3 1/4
C	E48	21	26	19 5/8	11 7/8	2 3/4
D	E48	24 1/2	30	23 1/8	15 3/8	3 1/4

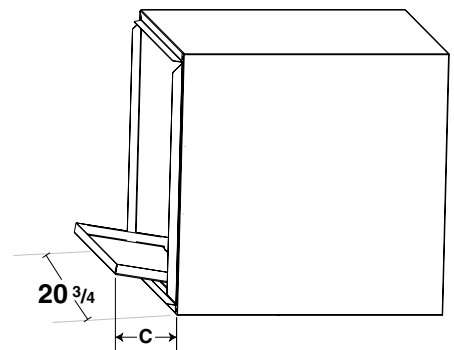


Figure 2. Horizontal Left Configuration with Drain Pan Extension



GENERAL TERMS OF LIMITED WARRANTY

NORDYNE will furnish a replacement for any part of this product which fails in normal use and service within the first ten years of installation, in accordance with the terms of the warranty.

For complete details of the Limited Warranty, including applicable terms and conditions, see your local installer or contact the NORDYNE warranty department for a copy.

NORDYNE 8000 Phoenix Parkway | O'Fallon MO 63368-3827

Specifications and illustrations subject to change without notice and without incurring obligations. Printed in U.S.A (04/2009)

210D-0409