

WIRING DIAGRAM

B4SM Series 7.5/10T Air Handler Systems

Electrical Configurations

Frequency	Single Phase	Three Phase
60 Hz	208-230V	208-230/460V
50 Hz	220V	380V

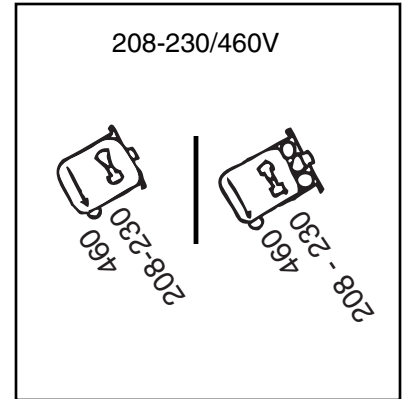
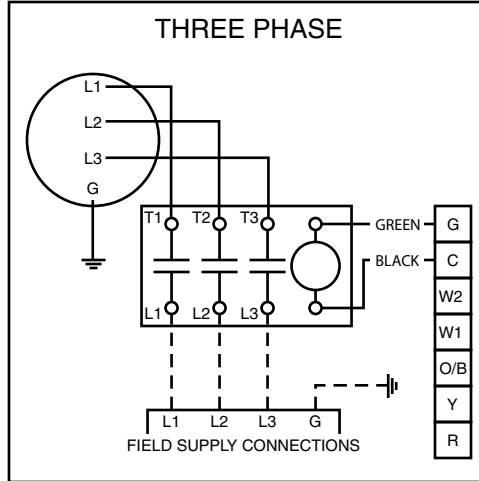
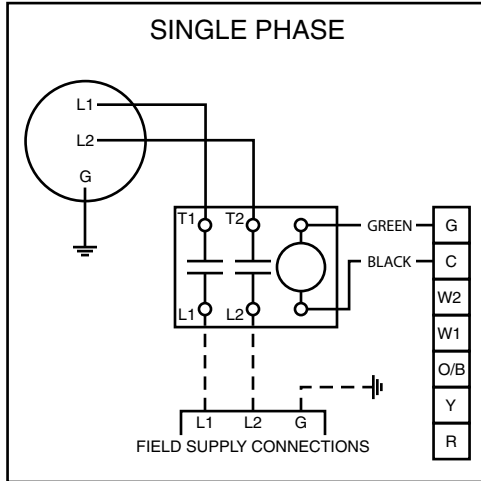
GENERAL NOTES:

1. Disconnect all power before servicing.
2. If wiring must be replaced, use only 105°C copper wire of the same gauge.

THREE PHASE ONLY NOTES:

1. Three phase units are factory wired for 460V/60Hz or 380V/50Hz operation.
2. To reverse motor rotation, interchange any two field wired line leads.

3. Three phase, 60 Hz units may be configured for 208-230V operation by relocating the internal selector pin at the rear of the motor as shown below. (See product literature for more information, if necessary.)



LEGEND:
 FIELD WIRING - - - -
 LOW VOLTAGE - - - -



7106640
06/07