

WIRING DIAGRAM

Convertible Packaged Heat Pump

460 Volt

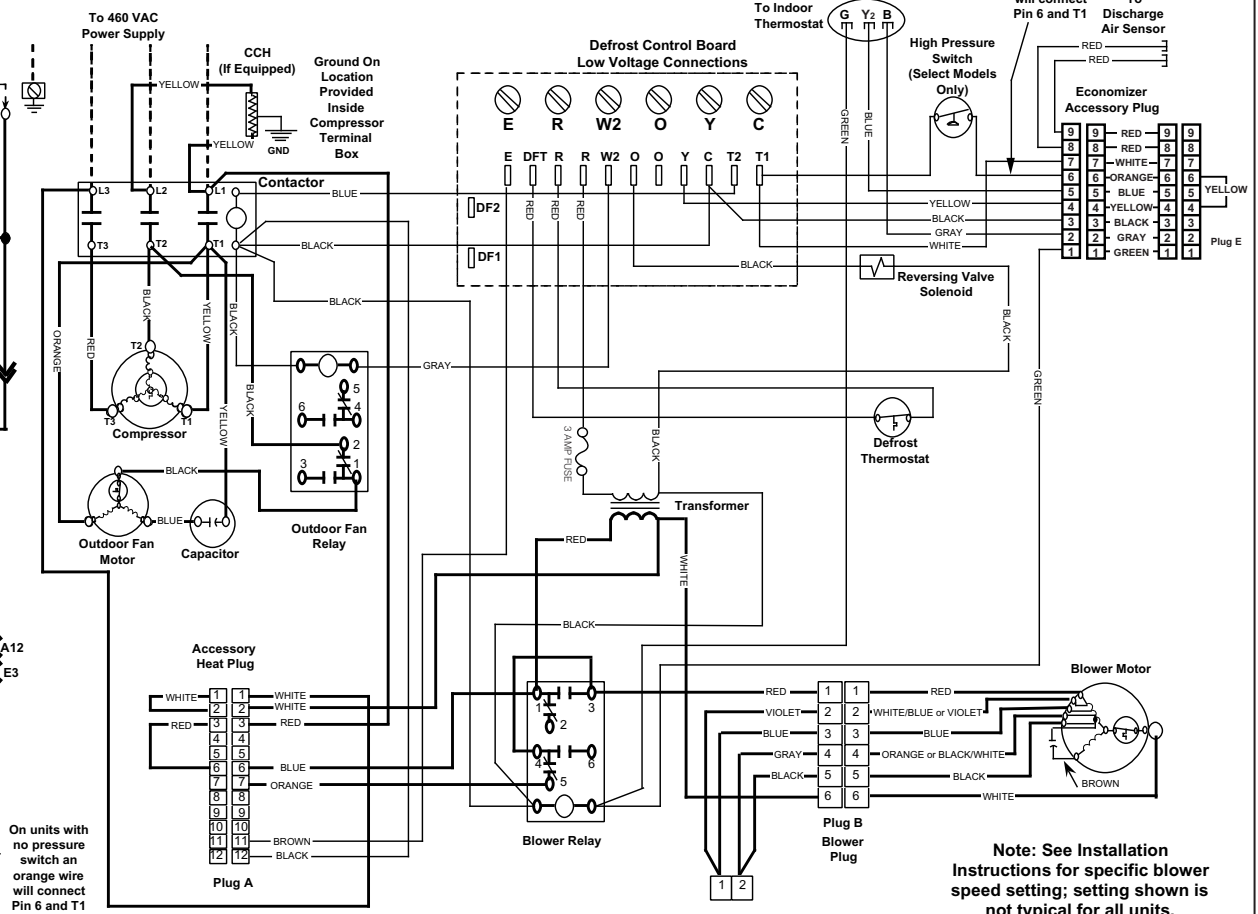
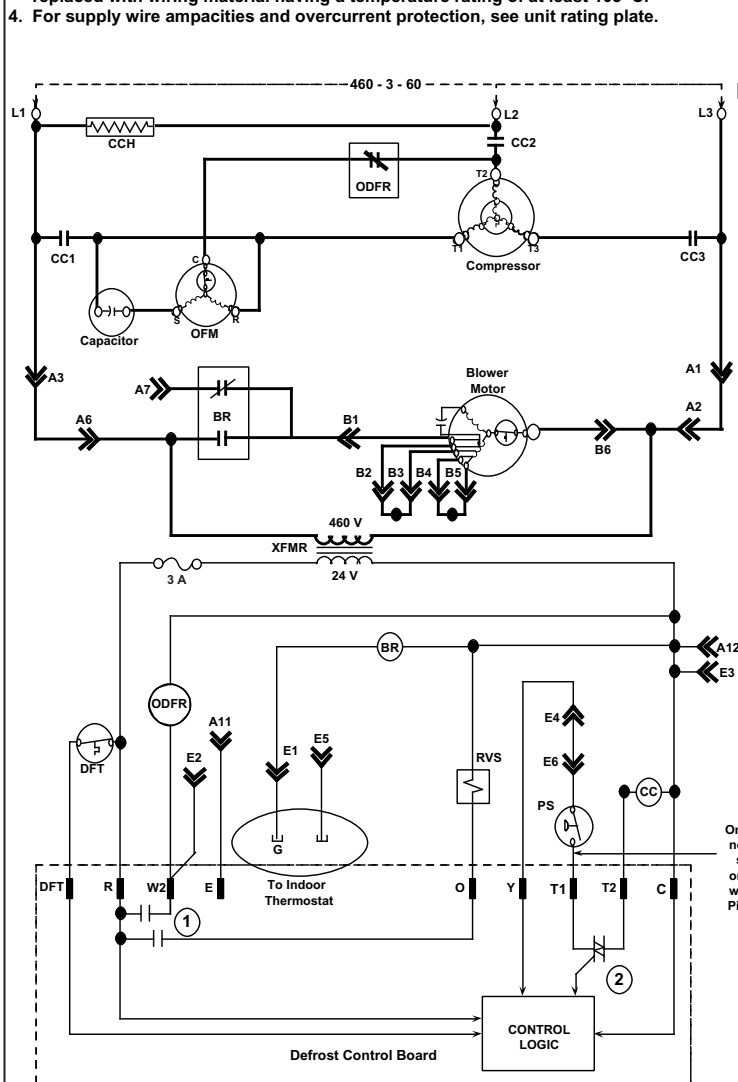
Three Phase

60 Hz

NOTES:

1. Disconnect all power before servicing.
2. For supply connections use copper conductors only.
3. If any of the original wire as supplied with the furnace must be replaced, it must be replaced with wiring material having a temperature rating of at least 105 C.
4. For supply wire ampacities and overcurrent protection, see unit rating plate.

1. Couper le courant avant de faire letretien.
2. Employez uniquement des conducteurs en cuivre



- BR - BLOWER RELAY
- CC - COMPRESSOR CONTACTOR
- CCH - CRANKCASE HEATER (IF EQUIPPED)
- DFT - DEFROST THERMOSTAT
- ODT - OUTDOOR THERMOSTAT(OPTIONAL)
- RVS - REVERSING VALVE SOLENOID
- PS - PRESSURE SWITCH (SELECT MODELS)
- ODFR - OUTDOOR FAN RELAY
- 3A - 3 AMP FUSE

B1 ➤➤ INDICATES PLUG CONNECTION
LETTER INDICATES WHICH PLUG
1 - 6 INDICATES PIN NUMBER.

DEFROST BOARD OPERATION:

- 1 CLOSURES DURING DEFROST. RATING: 1 A MAXIMUM
- 2 CLOSED WHEN "Y" IS ENERGIZED. OPEN WHEN "Y" IS DEENERGIZED. PROVIDES "OFF" DELAY TIME OF 5 MIN WHEN "Y" IS DEENERGIZED.
- 3 WITH DFT CLOSED AND "Y" ENERGIZED, COMPRESSOR RUN TIME IS ACCUMULATED. OPENING OF DFT DURING DEFROST OR INTERVAL PERIOD RESETS THE INTERVAL TO 0.

Note: See Installation Instructions for specific blower speed setting; setting shown is not typical for all units.

Note: See Installation Instructions for wiring, application, and information concerning accessory kits and other options.

Field Wiring	---
Factory Wiring	_____
Low Voltage	_____
High Voltage	_____



710335A
(Replaces 7103350)