

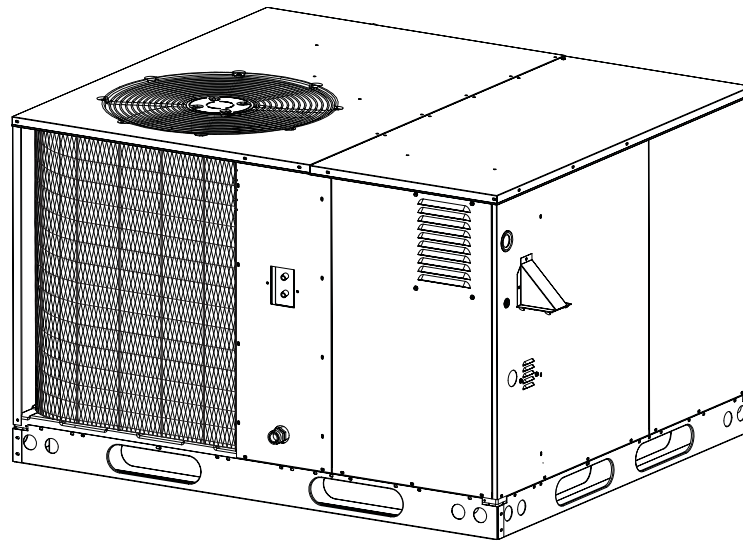
R4GD Series

Single Packaged Gas/Electric Units

R4GD 13 SEER

2 Ton thru 5 Ton Units

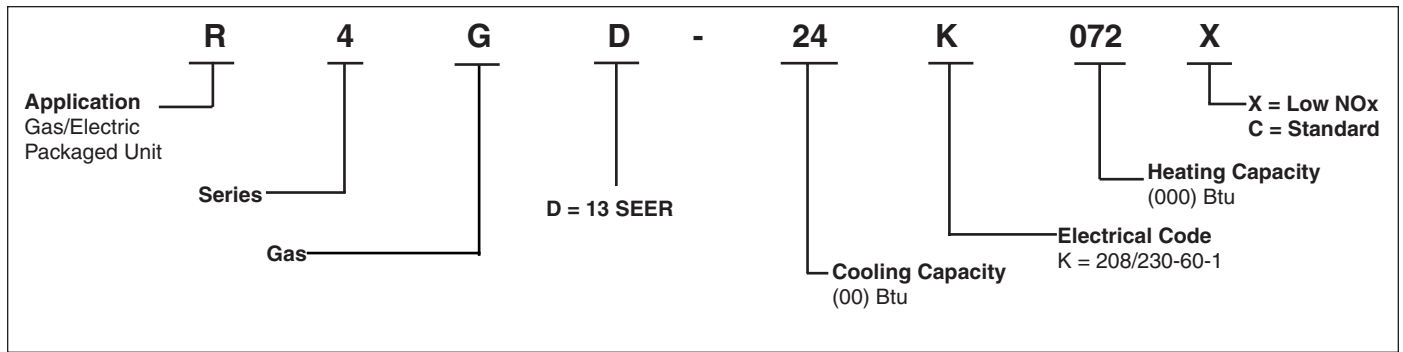
The R4GD Series single packaged gas/electrics are high efficiency self contained cooling units that can be installed on the roof or on a slab. The convertible unit design makes installations simple in all applications. Units are ETL and ETLc listed.



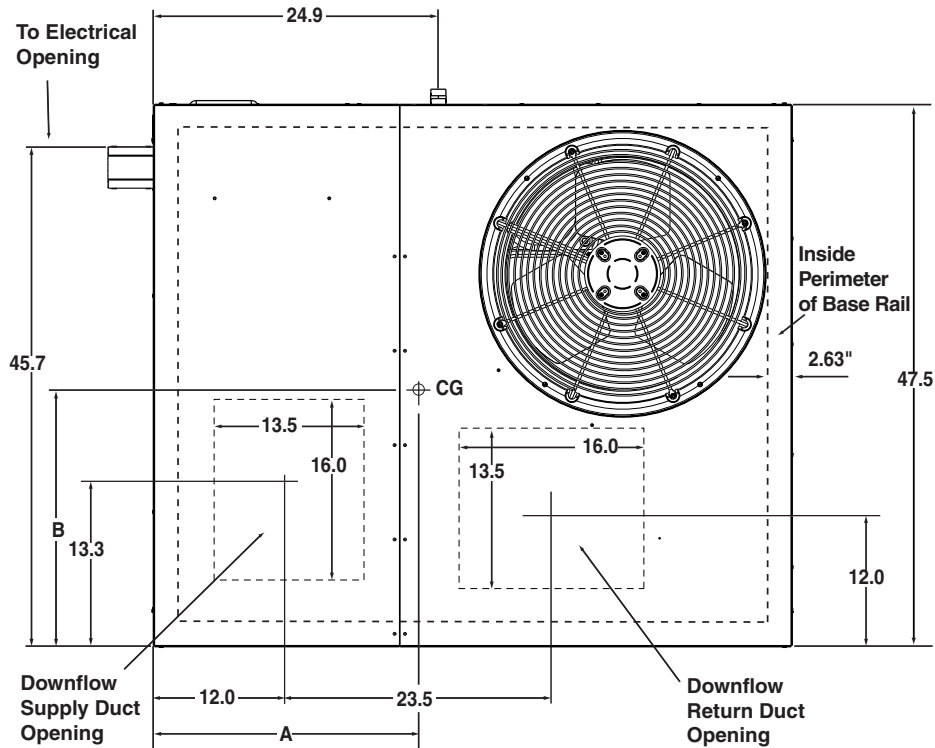
FEATURES AND BENEFITS

- **Compact Footprint/Low Profile**
Easy to handle and transport.
- **Heavy-Gauge, Full Perimeter Base Rails**
Facilitates forklift handling and curb mounting.
- **Convertible Air Delivery**
Horizontal or downflow to accommodate rooftop or horizontal application.
- **Galvanized Steel Cabinet**
with polyurethane finish provides 950 hour salt spray protection to resist corrosion.
- **Plastic Coated Coil Guard and Mesh Hail Guard**
Will never rust and protect the coil from being damaged by balls, lawnmowers, hail etc.
- **Accessible Service Ports**
Quick access to refrigerant system without disrupting operation.
- **Access to Controls and Major Components**
Easy in and out service.
- **Corrosion-Resistant Drain Pan**
Quickly drains away evaporator condensate.
- **Smaller Panels, Great Fit and Finish, Total Seal**
Well-designed, quality construction. Drip edge on top panels whisks away rainwater. Embossed bottom pan keeps blower component compartment dry.
- **Proven, Industry Standard Components**
Easier service and availability.
- **Quiet Operation**
Low vibration. 20" fan blade combined with custom venturi condenser fan.
- **8 Year Residential Parts Warranty and 5 Year Quality Pledge**
The best warranty in the business. Extended labor protection plans are available.
- **One Year Commercial Parts Warranty**

MODEL IDENTIFICATION CODE



DIMENSIONS

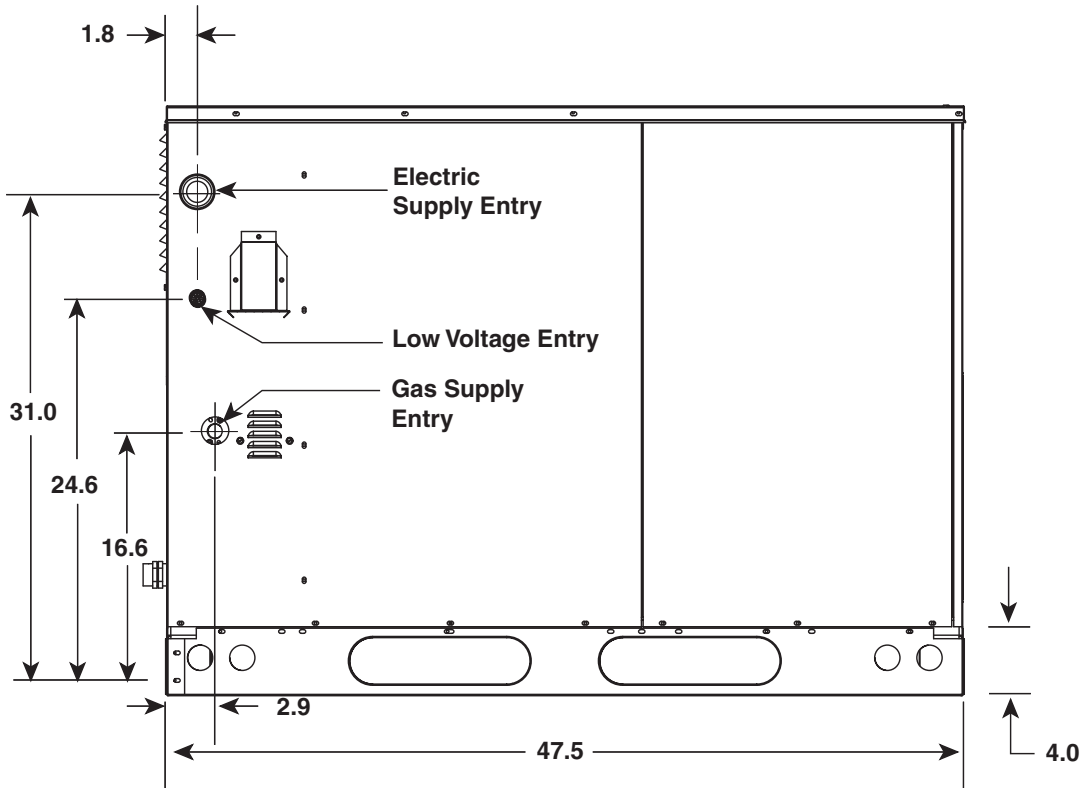


Top View

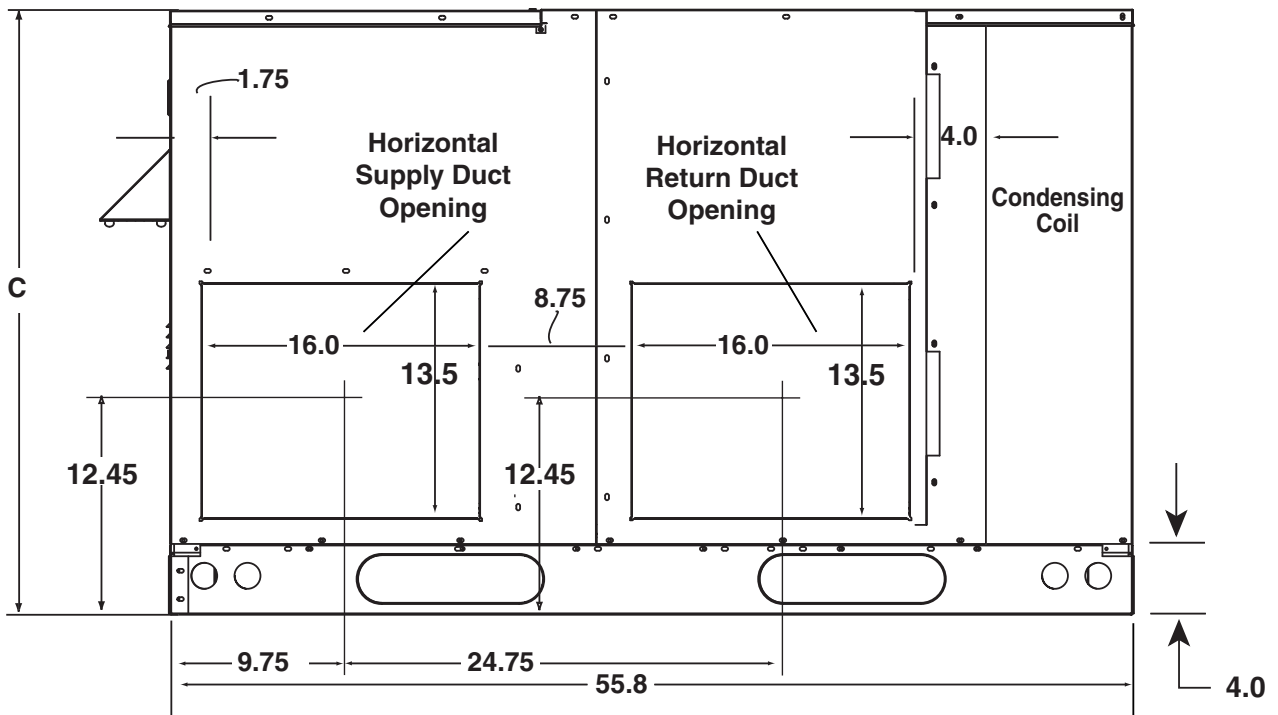
Model Number	Unit Weight	Shipping Weight	Center of Gravity		Height (in inches)	
			A	B	C	
					with base rails	without base rails
024K045†	425	435	26.5	26.5	39.0	35.3
024K072†	435	445	26.0	26.5	39.0	35.3
030K045†	430	440	26.5	26.5	39.0	35.3
030K072†	440	450	26.0	26.5	39.0	35.3
036K072†	470	480	26.5	26.5	39.0	35.3
036K096†	485	495	26.0	26.5	39.0	35.3
042K072†	500	510	27.0	26.5	39.0	35.3
042K096†	515	525	27.0	26.5	39.0	35.3
048K096†	540	550	27.5	26.5	43.0	39.3
048K120†	555	565	27.5	26.5	43.0	39.3
060K096†	560	570	27.5	26.5	43.0	39.3
060K120†	575	585	27.5	26.5	43.0	39.3

† Denotes either "C" or "X"

DIMENSIONS (Continued)



Side View



Back View

SPECIFICATIONS AND ELECTRICAL DATA

SINGLE PHASE

MODEL R4GD	-024K045(*)	-024K072(*)	-030K045(*)	-030K072(*)	-036K072(*)	-036K096(*)	-042K72(*)	-042K96(*)	-048K96(*)	-48K120(*)	-060K096(*)	-060K120(*)
Performance												
Heating Input Btuh	45,000	72,000	45,000	72,000	72,000	96,000	72,000	96,000	96,000	120,000	96,000	120,000
Heating Output Btuh	35,000	56,000	35,000	56,000	56,000	75,000	56,000	75,000	75,000	94,000	75,000	94,000
Capacity-Cooling Btuh	23,000	23,000	28,000	28,000	35,000	35,000	40,000	40,000	46,000	46,000	55,000	55,000
AFUE	78	78	78	78	78	78	78	78	78	78	78	78
Efficiency -- SEER	13.00	13.00	13.00	13.00	13.00	13.00	13.00	13.00	13.00	13.00	13.00	13.00
Efficiency -- EER	11.4	11.4	11.0	11.0	10.9	10.9	11.0	11.0	10.5	10.5	10.3	10.3
Electrical Rating - 60 Hz												
Phase	1	1	1	1	1	1	1	1	1	1	1	1
Operating Voltage Range	187 - 253	187 - 253	187 - 253	187 - 253	187 - 253	187 - 253	187 - 253	187 - 253	187 - 253	187 - 253	187 - 253	187 - 253
Minimum Circuit Ampacity	20.00	20.00	25	25	25.5	25.5	34.1	34.1	35.8	35.8	42.5	42.5
Max. Overcurrent Protection	30	30	40	40	40	40	50	50	50	50	70	70
Compressor Data												
Volts	208 / 230	208 / 230	208 / 230	208 / 230	208 / 230	208 / 230	208 / 230	208 / 230	208 / 230	208 / 230	208 / 230	208 / 230
Rated Load Amps	11.6	11.6	15.7	15.7	16	16	21.5	21.5	22.5	22.5	28.2	28.2
Lock Rotor Amps	54	54	68	68	77	77	104	104	137	137	141	141
Indoor Blower												
Wheel Diameter	10 x 10	10 x 10	10 x 10	10 x 10	10 x 10	10 x 10	10 x 10	10 x 10	10 x 10	10 x 10	10 x 10	10 x 10
Motor Type	Fixed Torque	Fixed Torque	Fixed Torque	Fixed Torque	Fixed Torque	Fixed Torque	Fixed Torque	Fixed Torque	Fixed Torque	Fixed Torque	Fixed Torque	Fixed Torque
Motor HP	1/2	1/2	1/2	1/2	1/2	1/2	3/4	3/4	3/4	3/4	3/4	3/4
Motor Amps	4.1	4.1	4.1	4.1	4.1	4.1	6.0	6.0	6.0	6.0	6.0	6.0
Outdoor Fan												
Motor HP	1/4	1/4	1/8	1/8	1/4	1/4	1/4	1/4	1/4	1/4	1/4	1/4
Motor Amps	1.2	1.2	1.2	1.2	1.2	1.2	1.2	1.2	1.2	1.2	1.2	1.2
Fan Diameter/CFM	20" / 3500	20" / 3500	20" / 3500	20" / 3500	20" / 3500	20" / 3500	20" / 3500	20" / 3500	20" / 3500	20" / 3500	20" / 3500	20" / 3500
Refrigerant Charge (oz)	89.6	89.6	93.4	93.4	100	100	192	192	216	216	188.8	188.8

AIRFLOW DATA

Model Number (*JR4GD-	Heating Input (BTUh)	Heating Output (BTUh)	Heating Rise Range(F)	Cooling Output (BTUh)	Motor Tap	Blower Size	Motor HP	External Static Pressure (Inches Water Column)																							
								0.1		0.2		0.3		0.4		0.5		0.6		0.7		0.8									
								CFM	Rise	CFM	Rise	CFM	Rise	CFM	Rise	CFM	Rise	CFM	Rise	CFM	Rise	CFM	Rise	CFM	Rise						
24K045(f)	45,000	35,000	30-60	28,000	T1	10 X 10	1/2	845	38	735	44	625	52	540	60	453	72	335	--	217	--	207	--								
					*T2			905	36	830	39	750	43	690	47	635	51	575	56	515	--	217	--								
					**T3			950	34	880	37	810	40	755	43	705	46	655	49	600	54	570	57	570	57						
					T4			1110	--	1065	30	1020	32	965	34	910	36	865	37	825	39	790	41	790	41						
					T5			1260	--	1215	--	1175	--	1125	--	1075	30	1030	31	990	33	960	34	960	34						
24K072(f)	72,000	56,000	40-70	23,000	T1	10 X 10	1/2	845	61	735	--	625	--	540	--	453	--	335	--	217	--										
					*T2			905	57	830	62	750	69	690	69	635	--	515	--	495	--	495	--								
					**T3			950	55	880	59	810	64	755	69	705	66	655	60	600	63	570	66	570	66						
					T4			1110	47	1065	49	1,020	51	965	54	910	57	865	60	825	63	790	66	790	66						
					T5			1260	41	1,215	43	1,175	44	1,125	46	1,075	48	1,030	50	990	52	960	54	960	54						
30K045(f)	45,000	35,000	30-60	28,000	T1	10 X 10	1/2	845	38	735	44	625	52	540	60	453	72	335	--	217	--										
					*T2			905	36	830	39	750	43	690	47	635	51	575	56	515	--	217	--								
					**T3			950	34	880	37	810	40	755	43	705	46	655	49	600	54	570	57	570	57						
					T4			1110	--	1065	30	1,020	32	965	34	910	36	865	37	825	39	790	41	790	41						
					T5			1260	--	1,215	--	1,175	--	1,125	--	1,075	30	1,030	31	990	33	960	34	960	34						
30K072(f)	72,000	56,000	40-70	28,000	T1	10 X 10	1/2	845	57	735	62	625	69	690	69	635	--	515	--	495	--										
					*T2			905	55	880	59	810	64	755	69	705	66	655	60	600	63	570	66	570	66						
					**T3			950	54	1,065	49	1,020	51	965	54	910	57	865	60	825	63	790	66	790	66						
					T4			1110	47	1,215	43	1,175	44	1,125	46	1,075	48	1,030	50	990	52	960	54	960	54						
					T5			1260	41	1,215	43	1,175	44	1,125	46	1,075	48	1,030	50	990	52	960	54	960	54						
36K072(f)	72,000	56,000	40-70	35,000	T1	10 X 10	1/2	1110	47	1,065	49	1,020	51	965	54	910	57	865	60	825	63	790	66								
					*T2			1185	44	1,110	47	1,035	50	960	53	925	56	875	59	820	63	785	66	785	66						
					**T3			1410	37	1,330	39	1,250	41	1,195	43	1,140	45	1,085	48	1,030	50	975	53	975	53						
					T4			1525	--	1,450	--	1,370	--	1,320	--	1,270	41	1,210	43	1,150	45	1,100	47	1,100	47						
					T5			1650	--	1,585	--	1,520	--	1,465	--	1,405	--	1,340	--	1,280	41	1,230	42	1,230	42						
42K096(f)	96,000	75,000	45-75	35,000	T1	10 X 10	3/4	1020	68	940	74	860	80	800	80	740	--	660	--	570	--										
					*T2			1185	59	1,110	63	1,035	67	980	67	925	--	820	--	785	--	785	--								
					**T3			1410	49	1,330	52	1,250	56	1,195	58	1,140	61	1,085	64	1,030	67	975	71	975	71						
					T4			1525	46	1,450	48	1,370	51	1,320	53	1,270	55	1,210	57	1,150	60	1,100	63	1,100	63						
					T5			1650	--	1,585	--	1,520	46	1,465	47	1,405	49	1,340	52	1,280	54	1,230	56	1,230	56						
42K072(f)	72,000	56,000	40-70	40,000	T1	10 X 10	3/4	1185	59	1,110	63	1,035	67	980	71	925	75	875	--	820	--										
					*T2			1410	49	1,330	52	1,250	56	1,195	58	1,140	61	1,085	64	1,030	67	975	71	975	71						
					**T3			1525	46	1,450	48	1,370	51	1,320	53	1,270	55	1,210	57	1,150	60	1,100	63	1,100	63						
					T4			1650	--	1,585	--	1,520	46	1,465	47	1,405	49	1,340	52	1,280	54	1,230	56	1,230	56						
					T5			1775	--	1,715	--	1,650	--	1,600	--	1,540	45	1,480	48	1,430	51	1,380	54	1,380	54						
48K096(f)	96,000	75,000	45-75	46,000	T1	10 X 10	3/4	1185	73	1,110	--	1,035	--	980	--	925	--	875	--	820	--										
					*T2			1410	62	1,330	65	1,250	70	1,195	73	1,140	75	1,085	77	1,030	80	975	--	975	--						
					**T3			1525	57	1,450	60	1,370	64	1,320	66	1,270	69	1,210	72	1,150	75	1,100	78	1,100	78						
					T4			1650	53	1,585	55	1,520	57	1,465	59	1,405	62	1,340	65	1,280	68	1,230	70	1,230	70						
					T5			1775	49	1,715	51	1,650	53	1,600	54	1,540	57	1,480	60	1,430	63	1,380	66	1,380	66						
48K120(f)	120,000	94,000	45-75	55,000	T1	10 X 10	3/4	1185	59	1,110	63	1,035	67	980	71	925	75	875	--	820	--										
					*T2			1410	49	1,330	52	1,250	56	1,195	58	1,140	61	1,085	64	1,030	67	975	71	975	71						
					**T3			1525	46	1,450	48	1,370	51	1,320	53	1,270	55	1,210	57	1,150	60	1,100	63	1,100	63						
					T4			1650	--	1,585	--	1,520	46	1,465	47	1,405	49	1,340	52	1,280	54	1,230	56	1,230	56						
					T5			1775	--	1,715	--	1,650	--	1,600	--	1,540	45	1,480	48	1,430	51	1,380	54	1,380	54						
60K096(f)	96,000	75,000	45-75	55,000	T1	10 X 10	3/4	1185	59	1,110	63	1,035	67	980	71	925	75	875	--	820	--										
					*T2			1410	49	1,330	52	1,250	56	1,195	58	1,140	61	1,085	64	1,030	67	975	71	975	71						
					**T3			1525	46	1,450	48	1,370	51	1,320	53	1,270	55	1,210	57	1,150	60	1,100	63	1,100	63						
					T4			1650	--	1,585	--	1,520	46	1,465	47	1,405	49	1,340	52	1,280	54	1,230	56	1,230	56						
					T5			1775	--	1,715	--	1,650	--	1,600	--	1,540	45	1,480	48	1,430	51	1,380	54	1,380	54						
60K120(f)	120,000	94,000	45-75	55,000	T1	10 X 10	3/4	1185	73	1,110	--	1,035	--	980	--	925	--	875	--	820	--										
					*T2			1410	62	1,330	65	1,250	70	1,195	73	1,140	75	1,085	77	1,030	80	975	--	975	--						
					**T3			1525	57	1,450	60	1,370	64	1,320	66	1,270	69	1,210	72	1,150	75	1,100	78	1,100	78						
					T4			1650	53	1,585	55	1,520	57	1,465	59	1,405	62	1,340	65	1,280	68	1,230	70	1,230	70						
					T5			1775	49	1,715	51	1,650	53	1,600	54	1,540	57	1,480	60	1,430	63	1,380	66	1,380	66						

* Denotes Factory Set Cooling Speed
 ** Denotes Factory Set Heating Speed
 † Can be C or X

R4GD ACCESSORIES

Description	Part Number
Roof Curb (8")	547830
Roof Curb (14")	547831
Roof Curb (18")	547850
Roof Curb (24")	547851
Cap, Duct Adapter, 12" Round	913811A
Cap, Duct Adapter, 14" Round	913812A
Supply/return transition, 16"	547834
Supply/return transition, 18"	547835
Concentric diffuser, flush, 16"	547836
Concentric diffuser, flush, 18"	547837
Concentric diffuser, step down 16"	547838
Concentric diffuser, step down 18"	547839
Manual Fresh Air Damper	547832
Motorized Fresh Air Damper	547840
Economizer, downflow w/filter (does not require filter kit) modulating	547833
Economizer, horizontal modulating	547841
Economizer, horizontal 3-position w/filter	547896
Economizer, downflow 3-position w/filter	547897
Power Exhaust, horizontal economizer (special order)	547843
Power Exhaust, downflow economizer (special order)	547842
Filter Kit R4GD 024 - 042	547888
Filter Kit R4GD 048 - 060	547889
Filter Kit, All Downflow Applications (not required with economizer)	547885
Hood Type Hail Guard, Coil Dim. 34" X 76" R4GD-024,030,036,042	547846
Hood Type Hail Guard, Coil Dim. 38" X 76" R4GD-048,060	547847
CO2 sensors (special order)	547848
DUCT SMOKE DETECTOR PHOTO ELEC	547892
MULTI SIGNAL CONTROL	547893
SAMPLING TUBE ST3	547894
SAMPLING TUBE ST5	547895
Low Ambient Kit	913549A
High Pressure Switch Kit	913550
Low Pressure Switch Kit	913551
Canadian LP Gas Conversion Kit (0 to 4,500 ft above sea level)	904091A
U.S. LP Gas Conversion Kit (0 ft to 10,000 ft above sea level)	904090A
Outdoor Thermostat Kit	913852
Universal Hard Start Kit	912933
P-Trap Kit	913810

We Encourage
Professionalism

Through Technician
Certification by NATE



Westinghouse products are manufactured and distributed by NORDYNE.

 and Westinghouse are trademarks of Westinghouse Electric Corporation and used under license to NORDYNE.

979B-0506 (Replaces 797B-0306)

O'Fallon, MO

NORDYNE

Before purchasing this appliance, read important energy cost and efficiency information available from your retailer. Specifications and illustrations subject to change without notice and without incurring obligations. Printed in U.S.A. (05/06)