

## P3R(A,C) Series

### Single Packaged Air Conditioner, Single Phase

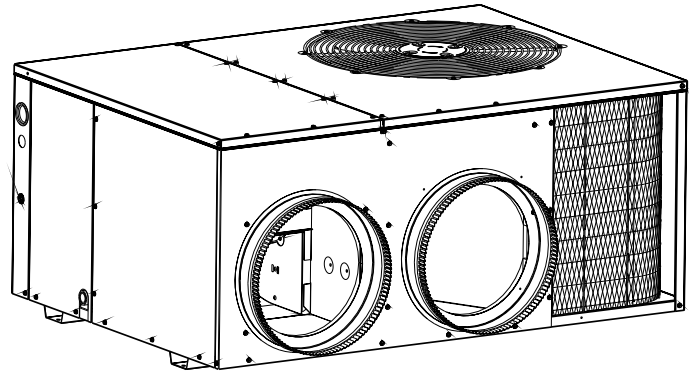
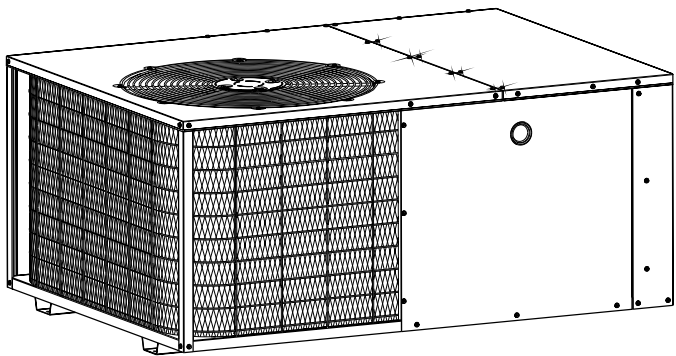
**P3RA-10 SEER**  
**2 thru 5 Ton Units**

**Cooling: 24,000 to 59,000 Btuh**

**P3RC-12 SEER**  
**2 Ton thru 4 Ton Units**

**Cooling: 23,800 to 48,000 Btuh**

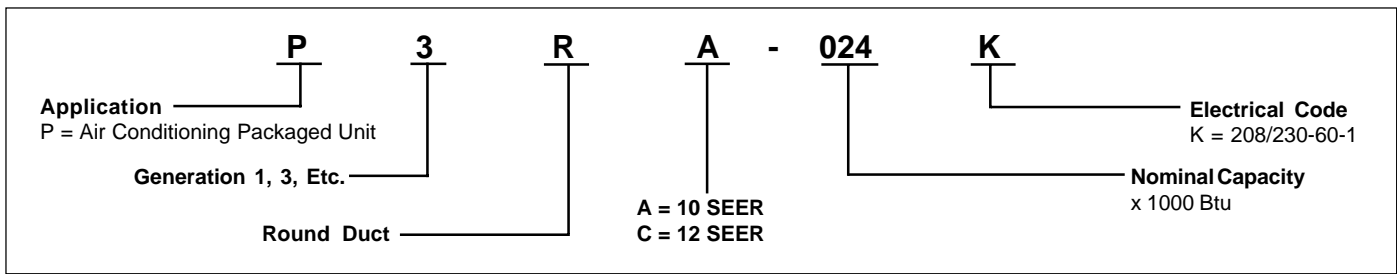
The P3 Series single packaged air conditioners are high efficiency self contained cooling and heating units that can be installed on a slab. Units are ETL and ETLc listed. The unit is truly designed with the contractor and the consumer in mind.



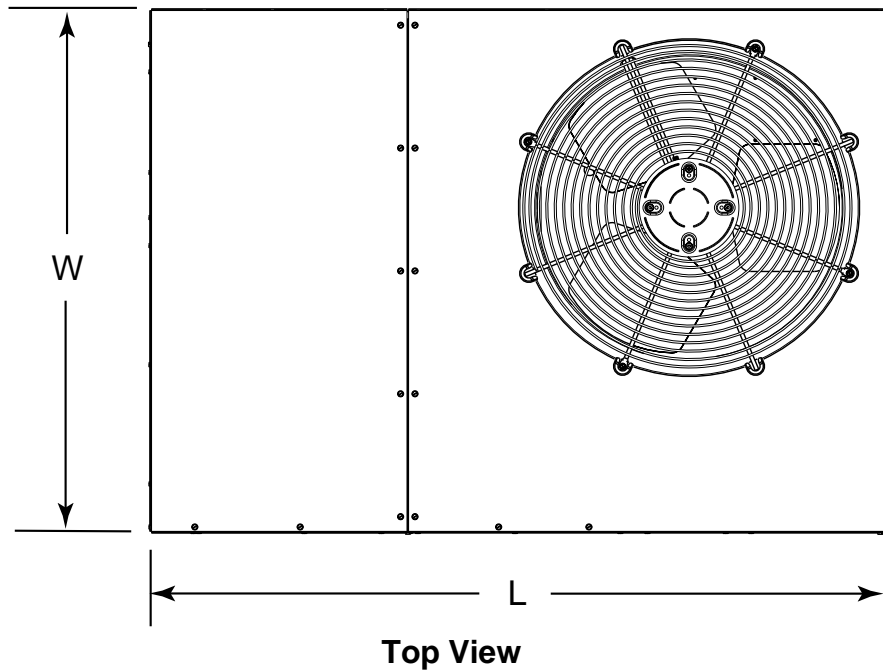
### FEATURES AND BENEFITS

- **State-of-the-art compressor** is standard equipment.
- **Designed using galvanized steel** with a polyester urethane coat finish. The 950 hour salt spray finish resists corrosion 50% better than comparable units.
- **Both indoor and outdoor coils** are designed to optimize heat transfer, minimize size and cost, and increase durability and reliability.
- **A heavy duty PSC motor** for long lasting reliability and operation. Requires no maintenance and is completely protected from rain and snow.
- **The service valves are easily accessible** and simplify servicing of the refrigeration system.
- **A wire coil guard and mesh hail guard that will never rust** protects the coil from being damaged by balls, lawnmowers, hail, etc.
- **Designed to make servicing easier** for the contractor, access panels are provided to all major components and the compressor.
- **1" clearance** to combustibles on duct side of the unit allows for installations in tight areas.
- **Painted outdoor coils** provide attractive protection.
- **Easy access** to evaporator for cleaning and general maintenance.
- **Drain trap** design optimizes drainage capabilities.
- **Easy to install** electric heat strip provides up to 20 kw of heat output.
- **Compact footprint and profile** make the P3 Series easy to install and transport.
- **8 Year Residential Parts Warranty and 5 Year Quality Pledge** has proven to be a major benefit to the consumer.

# MODEL IDENTIFICATION CODE



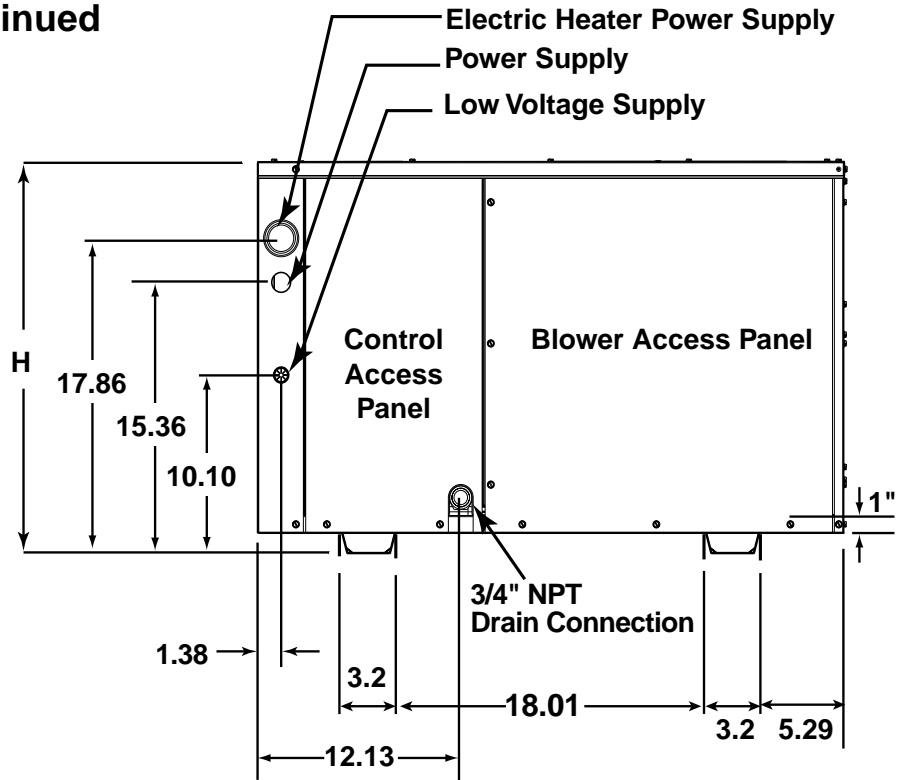
# DIMENSIONS



Model No.	(L) Length	(W) Width	(H) Height
<b>P3RA-</b>			
024K	49	35	22.2
030K	49	35	22.2
036K	49	35	22.2
042K	49	35	22.2
048K	49	35	30.2
060K	49	35	30.2

Model No.	(L) Length	(W) Width	(H) Height
<b>P3RC-</b>			
024K	49	35	22.2
030K	49	35	22.2
036K	49	35	22.2
042K	49	35	30.2
048K	49	35	30.2

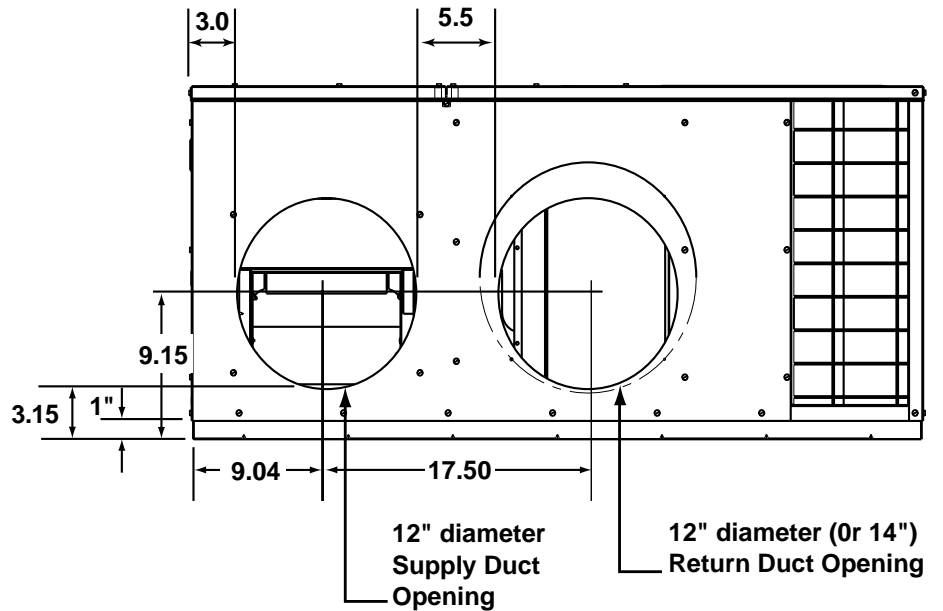
# DIMENSIONS Continued



Side View

Model P3RA-	Return Diameter (in)
024K	12
030K	12
036K	12
042K	12
048K	14
060K	14

Model P3RC-	Return Diameter (in)
024K	12
030K	12
036K	12
042K	14
048K	14



Back (Duct) View

# PHYSICAL SPECIFICATIONS

## P3RA Models

Model No. P3RA-	024K	030K	036K	042K	048K	060K
<b>Electric Rating — 60 Hz (a)</b>						
Operating Voltage Range	187 - 253	187 - 253	187 - 253	187 - 253	187 - 253	187 - 253
Minimum Circuit Ampacity (a)	14.9	20.4	21.8	25.8	31.6	38.1
Field Wire Size — AWG (a)	14	10	10	10	8	8
Delay Fuse — Maximum (b)	20	30	35	40	50	60
Total Unit — AMPS	12.4	17.0	18.1	21.3	26.1	31.3
<b>Compressor</b>						
Volts	208 - 230	208 - 230	208 - 230	208 - 230	208 - 230	208 - 230
Rated Load Amps	9.8	13.7	14.8	17.9	21.8	27.0
Lock Rotor Amps	56.0	75.0	96.0	103.0	131.0	144.0
<b>Fan Motor and Condenser</b>						
Fan Motor — HP - RPM	1/4 - 1100	1/4 - 1100	1/4 - 1100	1/3 - 1100	1/3 - 1100	1/3 - 1100
Fan Motor — Amps	1.2	1.2	1.2	1.3	1.3	1.3
Fan Dia. — CFM	20" - 2800	20" - 2800	20" - 2800	20" - 3000	20" - 3000	20" - 3000
<b>Motor and Evaporator</b>						
Blower Motor — HP - RPM	1/4 - 980	1/3 - 1080	1/3 - 900	1/3 - 900	1/2 - 1000	1/2 - 1000
Blower Motor — Amps	1.4	2.1	2.1	2.1	3	3
CFM @ E.S.P. — in. W.C.	1000 @ .30	1320 @ .30	1390 @ .30	1390 @ .30	1730 @ .30	1680 @ .30
<b>Refrigerant — Oz.</b>	55	56	63	64	86	128
<b>Shipping Weight -- Lbs.</b>	275	280	280	285	325	375

## P3RC Models

Model No. P3RC-	024K	030K	036K	042K	048K
<b>Electric Rating — 60 Hz (a)</b>					
Operating Voltage Range	187 - 253	187 - 253	187 - 253	187 - 253	187 - 253
Minimum Circuit Ampacity (a)	15.4	20.1	21.7	22.7	28.3
Field Wire Size — AWG (a)	12	12	10	10	10
Delay Fuse — Maximum (b)	25	30	35	35	45
Total Unit — AMPS	12.8	16.7	18.0	21.3	28.0
<b>Compressor</b>					
Volts	208 - 230	208 - 230	208 - 230	208 - 230	208 - 230
Rated Load Amps	10.2	13.4	14.7	17.9	23.7
Lock Rotor Amps	56.0	72.5	83.0	104.0	129.0
<b>Fan Motor and Condenser</b>					
Fan Motor — HP - RPM	1/4 - 1100	1/4 - 1100	1/4 - 1100	1/3 - 1100	1/3 - 1100
Fan Motor — Amps	1.2	1.2	1.2	1.3	1.3
Fan Dia. — CFM	20" - 2800	20" - 2800	20" - 2800	20" - 3000	20" - 3000
<b>Motor and Evaporator</b>					
Blower Motor — HP - RPM	1/4 - 980	1/3 - 1080	1/3 - 900	1/3 - 900	1/2 - 1000
Blower Motor — Amps	1.4	2.1	2.1	2.1	3
CFM @ E.S.P. — in. W.C.	1000 @ .30	1320 @ .30	1390 @ .30	1590 @ .30	1730 @ .30
<b>Refrigerant — Oz.</b>	55	66	96	104	135
<b>Shipping Weight -- Lbs.</b>	275	285	295	340	370

- (a) Amperage and wire size based on refrigeration system only. See Electrical Data tables for supplemental electric heaters. Refer to National Electric Code for additional derating factors for field installed conductors.
- (b) Use time delay fuse or "HACR" type circuit breaker.

# ELECTRICAL DATA

Model Number	Heater Installed Nom. KW	Single Supply Circuit Option										Multiple Supply Circuit Option									
		Minimum Circuit Amp.					Maximum Over-current Rating*					Circuit A					Circuit B				
		Rec Wire Gauge (60°C Cu)	Rec Wire Gauge (75°C Cu)	Rec Wire Gauge (90°C Cu)	Minimum Circuit Amp.	Maximum Over-current Rating*	Rec Wire Gauge (60°C Cu)	Rec Wire Gauge (75°C Cu)	Rec Wire Gauge (90°C Cu)	Minimum Circuit Amp.	Maximum Over-current Rating	Rec Wire Gauge (60°C Cu)	Rec Wire Gauge (75°C Cu)	Rec Wire Gauge (90°C Cu)	Minimum Circuit Amp.	Maximum Over-current Rating	Rec Wire Gauge (60°C Cu)	Rec Wire Gauge (75°C Cu)	Rec Wire Gauge (90°C Cu)	Minimum Circuit Amp.	Maximum Over-current Rating
P3RA-024K	0	14.9	14	14	20	-	-	-	-	-	-	-	-	-	-	-	-	-	-	-	-
	5	26.8	10	10	30	-	-	-	-	-	-	-	-	-	-	-	-	-	-	-	-
	8	41.3	6	8	45	-	-	-	-	-	-	-	-	-	-	-	-	-	-	-	-
P3RA-030K	10	51.8	6	6	60	-	-	-	-	-	-	-	-	-	-	-	-	-	-	-	-
	0	20.4	10	10	30	-	-	-	-	-	-	-	-	-	-	-	-	-	-	-	-
	5	27.6	10	10	30	-	-	-	-	-	-	-	-	-	-	-	-	-	-	-	-
P3RA-036K	8	42.2	6	8	45	-	-	-	-	-	-	-	-	-	-	-	-	-	-	-	-
	10	52.6	6	8	60	-	-	-	-	-	-	-	-	-	-	-	-	-	-	-	-
	15	77.6	3	4	80	50	6	8	8	60	27.6	10	10	10	30	-	-	-	-	-	-
P3RA-042K	0	21.8	10	10	35	-	-	-	-	-	-	-	-	-	-	-	-	-	-	-	-
	5	27.6	10	10	35	-	-	-	-	-	-	-	-	-	-	-	-	-	-	-	-
	8	42.2	6	8	45	-	-	-	-	-	-	-	-	-	-	-	-	-	-	-	-
P3RA-048K	10	52.6	6	6	60	-	-	-	-	-	-	-	-	-	-	-	-	-	-	-	-
	15	77.6	3	4	80	50	6	8	8	60	27.6	10	10	10	30	-	-	-	-	-	-
	0	25.8	10	10	40	-	-	-	-	-	-	-	-	-	-	-	-	-	-	-	-
P3RA-048K	5	27.6	10	10	40	-	-	-	-	-	-	-	-	-	-	-	-	-	-	-	-
	8	42.2	6	8	45	-	-	-	-	-	-	-	-	-	-	-	-	-	-	-	-
	10	52.6	6	6	60	-	-	-	-	-	-	-	-	-	-	-	-	-	-	-	-
P3RA-048K	15	77.6	3	4	80	50.0	6	8	8	60	27.6	10	10	10	30	-	-	-	-	-	-
	20	102.6	1	2	110	50.0	6	8	8	60	52.6	6	6	6	60	-	-	-	-	-	-
	0	31.6	8	8	50	-	-	-	-	-	-	-	-	-	-	-	-	-	-	-	-
P3RA-060K	5	31.6	8	8	50	-	-	-	-	-	-	-	-	-	-	-	-	-	-	-	-
	8	43.3	6	8	50	-	-	-	-	-	-	-	-	-	-	-	-	-	-	-	-
	10	53.8	6	6	60	-	-	-	-	-	-	-	-	-	-	-	-	-	-	-	-
P3RA-060K	15	78.8	3	4	80	53.8	6	8	8	60	28.8	10	10	10	30	-	-	-	-	-	-
	20	103.8	1	2	110	53.8	6	6	8	60	53.8	6	6	6	60	-	-	-	-	-	-
	0	38.1	8	8	60	-	-	-	-	-	-	-	-	-	-	-	-	-	-	-	-
P3RA-060K	5	38.1	8	8	60	-	-	-	-	-	-	-	-	-	-	-	-	-	-	-	-
	8	43.3	6	8	60	-	-	-	-	-	-	-	-	-	-	-	-	-	-	-	-
	10	53.8	6	6	60	-	-	-	-	-	-	-	-	-	-	-	-	-	-	-	-
P3RA-060K	15	78.8	3	4	80	53.8	6	8	8	60	28.8	10	10	10	30	-	-	-	-	-	-
	20	103.8	1	2	110	53.8	6	6	8	60	53.8	6	6	6	60	-	-	-	-	-	-
	0	15.4	12	12	25	-	-	-	-	-	-	-	-	-	-	-	-	-	-	-	-
P3RC-024K	5	26.8	10	10	30	-	-	-	-	-	-	-	-	-	-	-	-	-	-	-	-
	8	41.3	6	8	45	-	-	-	-	-	-	-	-	-	-	-	-	-	-	-	-
	10	51.8	6	6	60	-	-	-	-	-	-	-	-	-	-	-	-	-	-	-	-
P3RC-030K	0	20.1	12	12	30	-	-	-	-	-	-	-	-	-	-	-	-	-	-	-	-
	5	27.6	10	10	30	-	-	-	-	-	-	-	-	-	-	-	-	-	-	-	-
	8	42.2	6	8	45	-	-	-	-	-	-	-	-	-	-	-	-	-	-	-	-
P3RC-036K	10	52.6	6	6	60	-	-	-	-	-	-	-	-	-	-	-	-	-	-	-	-
	15	77.6	3	4	80	50	6	8	8	60	27.6	10	10	10	30	-	-	-	-	-	-
	0	21.7	10	10	35	-	-	-	-	-	-	-	-	-	-	-	-	-	-	-	-
P3RC-036K	5	27.6	10	10	35	-	-	-	-	-	-	-	-	-	-	-	-	-	-	-	-
	8	42.2	6	8	45	-	-	-	-	-	-	-	-	-	-	-	-	-	-	-	-
	10	52.6	6	6	60	-	-	-	-	-	-	-	-	-	-	-	-	-	-	-	-
P3RC-042K	15	77.6	3	4	80	50	6	8	8	60	27.6	10	10	10	30	-	-	-	-	-	-
	0	22.7	10	10	35	-	-	-	-	-	-	-	-	-	-	-	-	-	-	-	-
	5	27.6	10	10	35	-	-	-	-	-	-	-	-	-	-	-	-	-	-	-	-
P3RC-042K	8	42.2	6	8	45	-	-	-	-	-	-	-	-	-	-	-	-	-	-	-	-
	10	52.6	6	6	60	-	-	-	-	-	-	-	-	-	-	-	-	-	-	-	-
	15	77.6	3	4	80	50	6	8	8	60	27.6	10	10	10	30	-	-	-	-	-	-
P3RC-048K	20	102.6	1	2	110	50	6	8	8	60	52.6	6	6	6	60	-	-	-	-	-	-
	0	28.3	10	10	45	-	-	-	-	-	-	-	-	-	-	-	-	-	-	-	-
	5	28.3	10	10	45	-	-	-	-	-	-	-	-	-	-	-	-	-	-	-	-
P3RC-048K	8	43.3	6	8	45	-	-	-	-	-	-	-	-	-	-	-	-	-	-	-	-
	10	53.8	6	6	60	-	-	-	-	-	-	-	-	-	-	-	-	-	-	-	-
	15	78.8	3	4	80	50	6	8	8	60	28.8	10	10	10	30	-	-	-	-	-	-
P3RC-048K	20	103.8	1	2	110	50	6	8	8	60	53.8	6	6	6	60	-	-	-	-	-	-

\*When overcurrent rating exceeds 60, internal circuit breakers must be installed in addition to branch circuit protection at distribution panel.

## SYSTEM COOLING CAPACITIES

Model Number P3RA-	Cooling Btuh	SEER
024K	24,000	10
030K	30,000	10
036K	35,400	10
042K	40,500	10
048K	47,500	10
060K	59,000	10

Model Number P3RC-	Cooling Btuh	SEER
024K	23,800	12
030K	30,000	12
036K	35,000	12
042K	42,000	12
048K	48,000	12

## BLOWER PERFORMANCE

Model Number		External Static Pressure (in. WC)					
P3RA-		0.1	0.2	0.3	0.4	0.5	0.6
024K	High	1120	1060	1000	930	860	750
	Low	840	800	760	710	610	N/A
030K	High	1450	1380	1320	1240	1150	1050
	Low	1070	1050	1030	980	930	N/A
036K	High	1480	1440	1390	1330	1270	1190
	Low	1270	1230	1190	1140	1080	1000
042K	High	1480	1430	1390	1330	1270	1190
	Low	1270	1220	1180	1140	1080	1010
048K	High	1840	1780	1730	1650	1580	1500
	Low	1700	1650	1590	1540	1470	1390
060K	High	1800	1740	1680	1620	1540	1470
	Low	1660	1610	1560	1500	1430	1360

Model Number		External Static Pressure (in. WC)					
P3RC-		0.1	0.2	0.3	0.4	0.5	0.6
024K	High	1120	1060	1000	930	860	750
	Low	840	800	760	710	610	N/A
030K	High	1450	1380	1320	1240	1150	1050
	Low	1070	1050	1030	980	930	N/A
036K	High	1480	1440	1390	1330	1270	1190
	Low	1270	1230	1190	1140	1080	1000
042K	High	1480	1430	1390	1330	1270	1190
	Low	1270	1220	1180	1140	1080	1010
048K	High	1840	1780	1730	1650	1580	1500
	Low	1700	1650	1590	1540	1470	1390

COPPER WIRE SIZE — AWG (1% Voltage Drop)				
Supply Wire Length-Feet				Supply Circuit
200	150	100	50	Ampacity
6	8	10	14	15
4	6	8	12	20
4	6	8	10	25
4	4	6	10	30
3	4	6	8	35
3	4	6	8	40
2	3	4	6	45
2	3	4	6	50

Wire Size based on N.E.C. for 60° type copper conductors.

# ACCESSORIES

## Heater Application Matrix

Model Number P3RA-	Motor Speed	H3HK-005H-01A 917166A	H3HK-008H-01A 917167A	H3HK-010H-01A 917168A	H3HK-015H-01A 917169A	H3HK-020H-01A 917170A	H3HK-015H-21A 917172A	H3HK-020H-21A 917173A
024K	High	X(0)	X(0)	X(0)	NA	NA	NA	NA
	Low	X(0)	X(0)	X(0)	NA	NA	NA	NA
030K	High	X(0)	X(0)	X(0)	X(2)	NA	X(0)	NA
	Low	X(0)	X(0)	X(0)	X(2)	NA	X(0)	NA
036K	High	X(0)	X(0)	X(0)	X(2)	NA	X(0)	NA
	Low	X(0)	X(0)	X(0)	X(2)	NA	X(0)	NA
042K	High	X(0)	X(0)	X(0)	X(2)	X(3)	X(0)	X(1)
	Low	X(0)	X(0)	X(0)	X(2)	X(3)	X(0)	X(1)
048K	High	X(0)	X(0)	X(0)	X(2)	X(3)	X(0)	X(1)
	Low	X(0)	X(0)	X(0)	X(2)	X(3)	X(0)	X(1)
060K	High	X(0)	X(0)	X(0)	X(2)	X(3)	X(0)	X(1)
	Low	X(0)	X(0)	X(0)	X(2)	X(3)	X(0)	X(1)

Model Number P3RC-	Motor Speed	H3HK-005H-01A 917166A	H3HK-008H-01A 917167A	H3HK-010H-01A 917168A	H3HK-015H-01A 917169A	H3HK-020H-01A 917170A	H3HK-015H-21A 917172A	H3HK-020H-21A 917173A
024K	High	X(0)	X(0)	X(0)	NA	NA	NA	NA
	Low	X(0)	X(0)	X(0)	NA	NA	NA	NA
030K	High	X(0)	X(0)	X(0)	X(2)	NA	X(0)	NA
	Low	X(0)	X(0)	X(0)	X(2)	NA	X(0)	NA
036K	High	X(0)	X(0)	X(0)	X(2)	NA	X(0)	NA
	Low	X(0)	X(0)	X(0)	X(2)	NA	X(0)	NA
042K	High	X(0)	X(0)	X(0)	X(2)	X(3)	X(0)	X(1)
	Low	X(0)	X(0)	X(0)	X(2)	X(3)	X(0)	X(1)
048K	High	X(0)	X(0)	X(0)	X(2)	X(3)	X(0)	X(1)
	Low	X(0)	X(0)	X(0)	X(2)	X(3)	X(0)	X(1)

NA = Not Approved

( ) = Number of internal circuit breaker kits required.

## Heater Kit Accessories

Description	Part Number
4-Pole single circuit adaptor	913350
6-Pole single circuit adaptor	913556
Circuit Breaker Single Phase (2-pole)	913554



CERTIFICATION  
 APPLIES ONLY  
 WHEN THE COMPLETE  
 SYSTEM IS LISTED  
 WITH ARI



**962A-0902 (Replaces 962A-0402)**

O'Fallon, MO

**NORDYNE**

Before purchasing this appliance, read important energy cost and efficiency information available from your retailer. Specifications and illustrations subject to change without notice and without incurring obligations. Printed in U.S.A. (05/02)