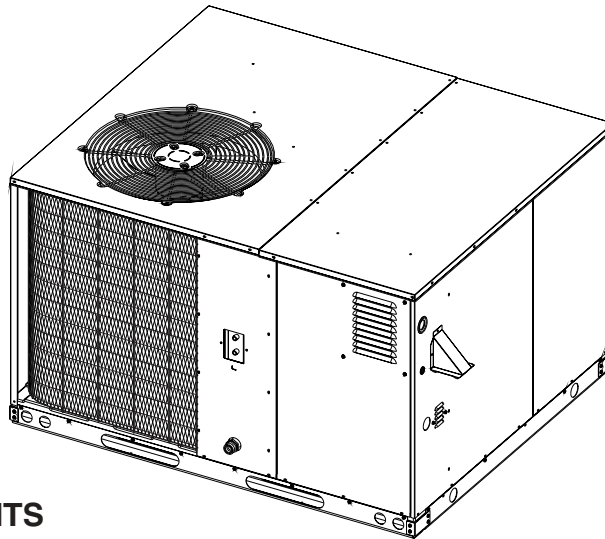


R4GA Series

Single Packaged Gas/Electric Units

R4GA 10 SEER 2 Ton thru 5 Ton Units

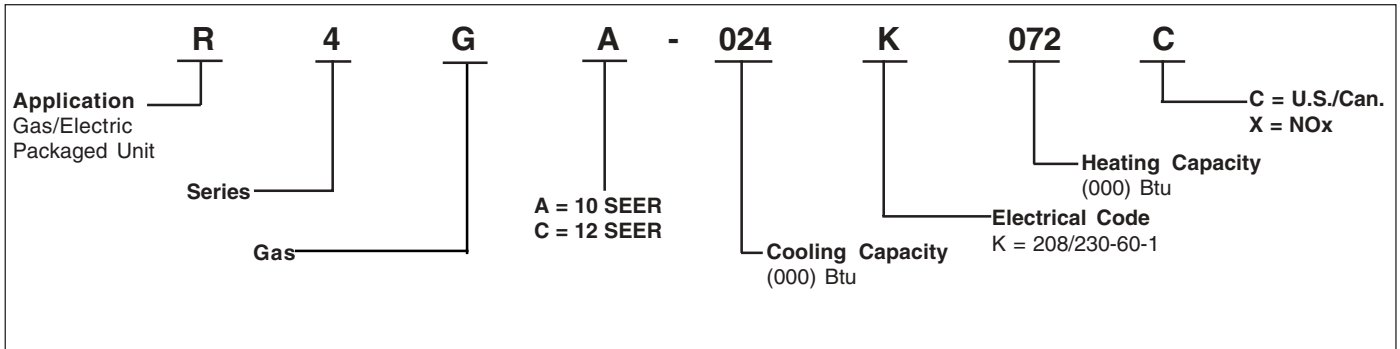
The R4G Series single packaged gas/electrics are high efficiency self contained cooling units that can be installed on the roof or on a slab. The convertible unit design makes installations simple in all applications. Units are ETL and ETLc listed. The unit is truly designed with the contractor and the consumer in mind.



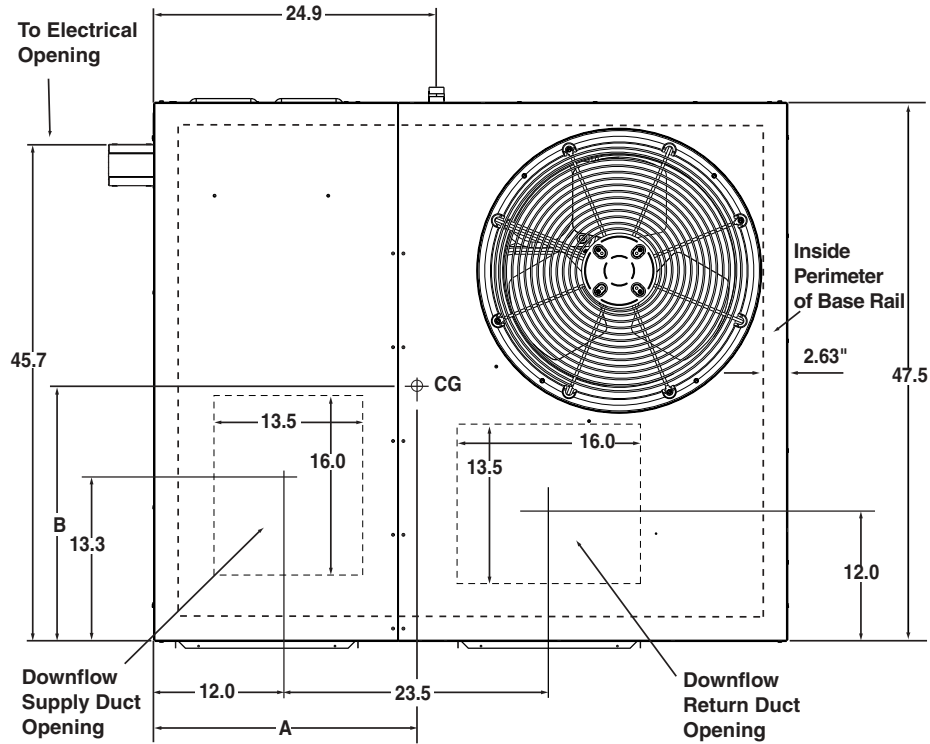
FEATURES AND BENEFITS

- **Compact Footprint/Low Profile**
Easy to handle and transport.
- **Heavy-Gauge, Full Perimeter Base Rails**
Facilitates forklift handling and curb mounting.
- **Convertible Air Delivery**
Horizontal or downflow to accommodate rooftop or horizontal application.
- **Galvanized Steel Cabinet**
with polyurethane finish provides 950 hour salt spray protection to resist corrosion.
- **Plastic Coated Coil Guard and Mesh Hail Guard**
Will never rust and protect the coil from being damaged by balls, lawnmowers, hail etc.
- **Externally Accessible Service Ports**
Quick access to refrigerant system without disrupting operation.
- **Access to Controls and Major Components**
Easy in and out service.
- **Corrosion-Resistant Drain Pan**
Quickly drains away evaporator condensate.
- **Smaller Panels, Great Fit and Finish, Total Seal**
Well-designed, quality construction. Drip edge on top panels whisks away rainwater. Embossed bottom pan keeps blower component compartment dry.
- **Proven, Industry Standard Components**
Easier service and availability.
- **Accessories**
Roof curbs, economizers, fresh air dampers and more.
- **Quiet Operation**
Low vibration.
20" fan blade combined with custom venturi condenser fan.
- **8 Year Residential Parts Warranty and 5 Year Quality Pledge**
The best warranty in the business. Extended labor protection plans are available.
- **One Year Commercial Parts Warranty**

MODEL IDENTIFICATION CODE



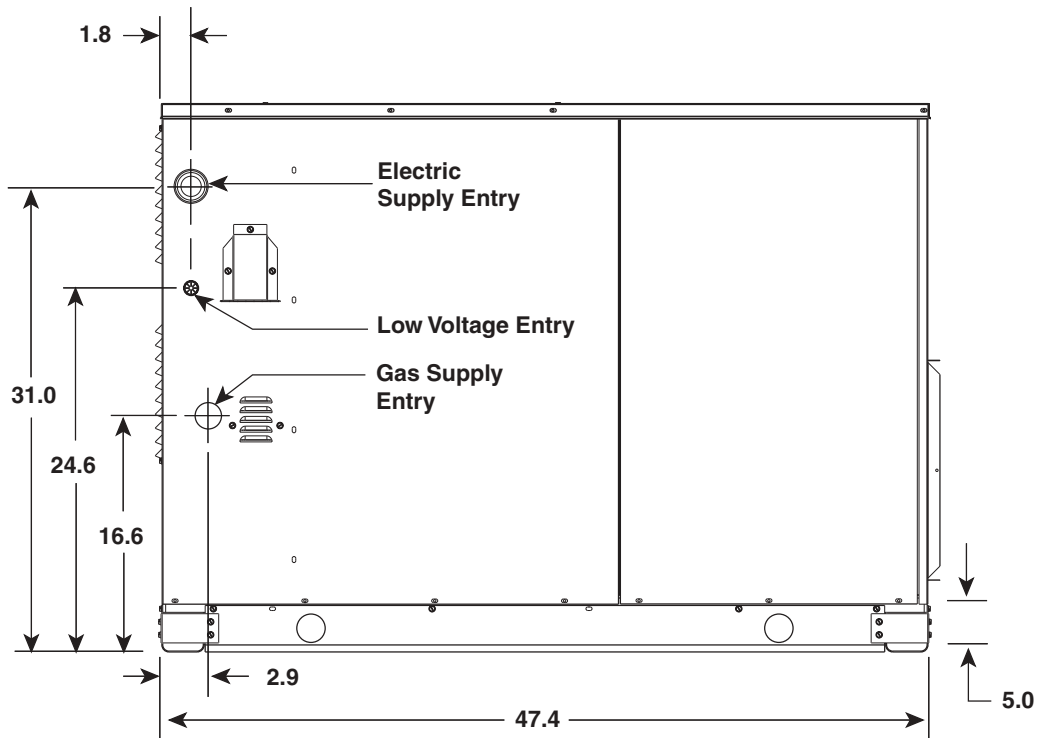
DIMENSIONS



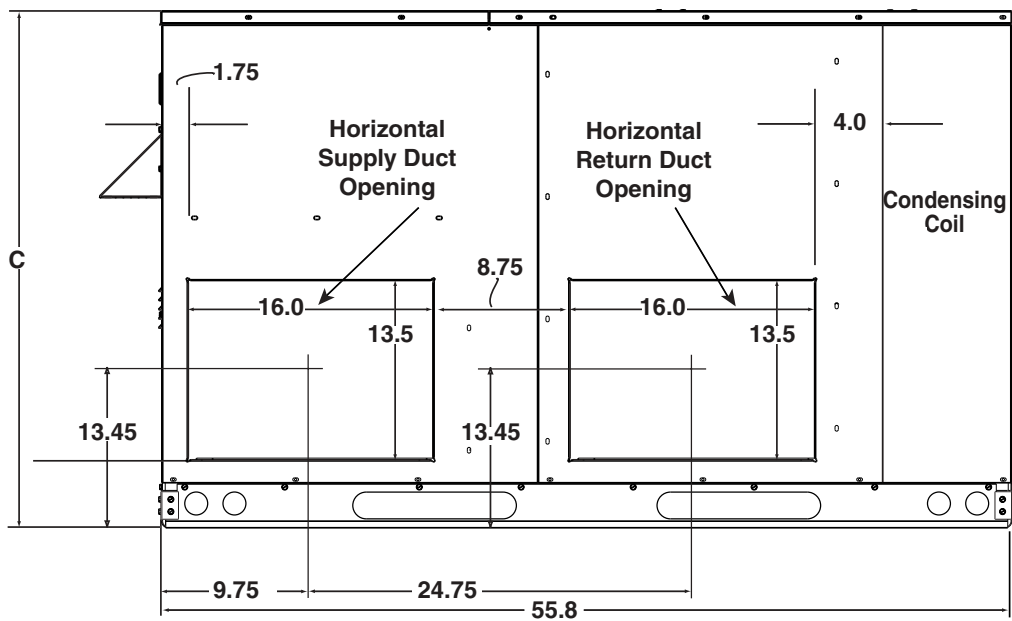
Top View

Model Number (-)R4GA-	Unit Weight	Center of Gravity		Height (in inches)	
		A	B	C with base rails	C without base rails
024K045C	387	25.5	26.5	33.8	31.3
024K072C	395	25.0	26.5	33.8	31.3
030K045C	391	25.5	27.0	33.8	31.3
030K072C	399	25.0	27.0	33.8	31.3
036K072C	422	25.5	27.0	33.8	31.3
036K096C	428	25.0	27.0	33.8	31.3
042K072C	430	25.5	27.0	33.8	31.3
042K096C	440	25.5	27.0	33.8	31.3
048K096C	463	26.0	27.0	37.8	35.3
048K120C	465	25.5	27.0	37.8	35.3
060K096C	490	26.0	27.0	37.8	35.3
060K120C	495	25.5	27.0	37.8	35.3

DIMENSIONS (Continued)



Side View



Back View

SPECIFICATIONS AND ELECTRICAL DATA

SINGLE PHASE

Model R4GA-	024K045C	024K072C	030K045C	030K072C	036K072C	036K096C	042K072C	042K096C	048K096C	048K120C	060K096C	060K120C
Performance												
Heating Input BTUH	45,000	72,000	45,000	72,000	72,000	96,000	72,000	96,000	96,000	120,000	96,000	120,000
Heating Output BTUH	35,000	56,000	35,000	56,000	56,000	75,000	56,000	75,000	75,000	94,000	75,000	94,000
Capacity -Cooling BTUH	24,000	24,000	28,500	28,500	35,500	35,500	40,000	40,000	46,000	46,000	58,000	58,000
AFUE	78	78	78	78	78	78	78	78	78	78	78	78
Efficiency - SEER	10.00	10.00	10.00	10.00	10.00	10.00	10.00	10.00	10.00	10.00	10.00	10.00
Efficiency - EER	10.3	10.3	9.3	9.3	9.3	9.3	9.7	9.7	9.6	9.6	8.9	8.9
Electrical Rating - 60 Hz												
Phase	1	1	1	1	1	1	1	1	1	1	1	1
Operating Voltage Range	187 - 253	187 - 253	187 - 253	187 - 253	187 - 253	187 - 253	187 - 253	187 - 253	187 - 253	187 - 253	187 - 253	187 - 253
Minimum Circuit Ampacity	16.1	16.1	21.6	21.6	25.1	25.1	28.1	28.1	30.7	30.7	42.8	42.8
Max. Over-current Protection	25	25	35	35	40	40	45	45	50	50	60	60
Compressor Data												
Volts	208 / 230	208 / 230	208 / 230	208 / 230	208 / 230	208 / 230	208 / 230	208 / 230	208 / 230	208 / 230	208 / 230	208 / 230
Rated Load Amps	10.9	10.9	15.3	15.3	16.6	16.6	19	19	20.4	20.4	30.1	30.1
Lock Rotor Amps	56	56	75	75	96	96	105	105	102	102	144	144
Indoor Blower												
Wheel Diameter			10x6				10x10					11x10
Type / No. of Speeds	DD / 3	DD / 3	DD / 3	DD / 3	DD / 3	DD / 3	DD / 3	DD / 3	DD / 4	DD / 4	DD / 4	DD / 4
Motor - HP / RPM	1/4 - 1100	1/4 - 1100	1/4 - 1100	1/4 - 1100	1/2 - 1100	1/2 - 1100	1/2 - 1100	1/2 - 1100	3/4 - 1100	3/4 - 1100	3/4 - 1100	3/4 - 1100
Motor - Amps	1.3	1.3	1.3	1.3	3.1	3.1	3.1	3.1	4.0	4.0	4.0	4.0
Outdoor Fan												
Motor - HP / RPM	1/4 - 825	1/4 - 825	1/4 - 825	1/4 - 825	1/4 - 825	1/4 - 825	1/4 - 825	1/4 - 825	1/4 - 825	1/4 - 825	1/4 - 825	1/4 - 825
Motor - Amps	1.2	1.2	1.2	1.2	1.2	1.2	1.2	1.2	1.2	1.2	1.2	1.2
Fan Diameter / CFM	20 / 3500	20 / 3500	20 / 3500	20 / 3500	20 / 3500	20 / 3500	20 / 3500	20 / 3500	20 / 3500	20 / 3500	20 / 3500	20 / 3500
Refrigerant Charge - oz.	70	70	65	65	60	60	73	73	93	93	88	88

AIRFLOW DATA

Model Number	R4GA-	Heating Input (Btuh)	Heating Output (Btuh)	Heating Rise Range (F)	Cooling Output (Btuh)	Motor Speed	Blower Size	Motor HP	External Static Pressure (Inches Water Column)																							
									0.1		0.2		0.3		0.4		0.5		0.6		0.7		0.8									
									CFM	Rise	CFM	Rise	CFM	Rise	CFM	Rise	CFM	Rise	CFM	Rise	CFM	Rise	CFM	Rise	CFM	Rise						
024K045(†)		45,000	35,000	30-60	24,000	High Medium Low**	10 X 6	1/4	1172 1075 845	- 30 38	1109 1018 795	- 32 41	1043 957 741	31 34 44	975 892 683	33 36 44	903 824 620	36 39 52	829 752 552	39 43 59	752 676 480	43 48 48	672 596 403	48 54 -								
024K072(†)		72,000	56,000	40-70	24,000	High Medium Low**	10 X 6	1/4	1160 1064 841	45 49 62	1102 1012 797	47 51 65	1041 955 749	50 54 69	976 895 695	53 58 69	908 831 636	57 63 57	837 762 571	62 68 57	762 690 502	68 72 43	684 613 427	- - -								
030K045(†)		45,000	35,000	30-60	28,500	High** Medium Low*	10 X 6	1/4	1172 1075 845	- 30 38	1109 1018 795	- 32 41	1043 957 741	31 34 44	975 892 683	33 36 48	903 824 620	36 39 52	829 752 552	39 43 59	752 676 480	43 48 48	672 596 403	48 54 -								
030K072(†)		72,000	56,000	40-70	28,500	High** Medium Low*	10 X 6	1/4	1160 1064 841	45 49 62	1102 1012 797	47 51 65	1041 955 749	50 54 69	976 895 695	53 58 69	908 831 636	57 63 57	837 762 571	62 68 57	762 690 502	68 72 43	684 613 427	- - -								
036K072(†)		72,000	56,000	40-70	35,500	High Medium Low**	10 X 10	1/2	1852 1736 1427	- 1650 1361	1775 1650 1361	- - 40	1687 1558 1290	- - 42	1590 1460 1214	- - 45	1482 1357 1134	- 40 48	1365 1247 1049	40 44 52	1237 1131 959	44 48 56	1100 1010 865	49 52 62								
036K096(†)		96,000	75,000	45-75	35,500	High Medium Low**	10 X 10	1/2	1697 1574 1297	- - 53	1600 1485 1225	- 47 57	1503 1396 1152	46 50 60	1406 1308 1079	49 53 64	1309 1219 1006	53 57 69	1212 1130 933	57 61 74	1115 1041 860	62 67 78	1018 952 788	68 73 -								
042K072(†)		72,000	56,000	40-70	40,000	High Medium** Low*	10 X 10	1/2	1852 1736 1427	- 1650 1361	1775 1650 1361	- - 40	1687 1558 1290	- - 42	1590 1460 1214	- - 45	1482 1357 1134	- 40 48	1365 1247 1049	40 44 52	1237 1131 959	44 48 56	1100 1010 865	49 52 62								
042K096(†)		96,000	75,000	45-75	40,000	High Medium*** Low	10 X 10	1/2	1697 1574 1297	- - 53	1600 1485 1225	- 47 57	1503 1396 1152	46 50 60	1406 1308 1079	49 53 64	1309 1219 1006	53 57 69	1212 1130 933	57 61 74	1115 1041 860	62 67 78	1018 952 788	68 73 -								
048K096(†)		96,000	75,000	45-75	46,000	High Med-High Med-Low**	11 X 10	3/4	2393 2171 1811	- 2093 1751	2307 2093 1751	- - 52	2220 2016 1690	- - 45	2134 1938 1626	- - 47	2047 1860 1561	- - 48	1961 1782 1493	- - 50	1874 1704 1423	- 45 53	1787 1625 1351	- 47 55								
048K120(†)		120,000	94,000	45-75	46,000	High Med-High Med-Low**	11 X 10	3/4	2061 1865 1635	- 46 53	1989 1813 1578	- 48 55	1917 1752 1522	45 49 57	1845 1680 1465	47 52 59	1773 1599 1409	49 54 62	1701 1507 1352	51 58 64	1628 1406 1296	53 62 67	1556 1295 1240	56 67 70								
060K096(†)		96,000	75,000	45-75	58,000	High Med-High** Med-Low*	11 X 10	3/4	2393 2171 1811	- 2093 1751	2307 2093 1751	- - 52	2220 2016 1690	- - 45	2134 1938 1626	- - 47	2047 1860 1561	- - 48	1961 1782 1493	- - 50	1874 1704 1423	- 45 53	1787 1625 1351	- 47 55								
060K120(†)		120,000	94,000	45-75	58,000	High Med-High** Med-Low*	11 X 10	3/4	2061 1865 1635	- 46 53	1989 1813 1578	- 48 55	1917 1752 1522	45 49 57	1845 1680 1465	47 52 59	1773 1599 1409	49 54 62	1701 1507 1352	51 58 64	1628 1406 1296	53 62 67	1556 1295 1240	56 67 70								

* - Factory Set Heating Speed

** - Factory Set Cooling Speed

† - Can be C or X

R4GA ACCESSORIES

Description	Part Number
Roof Curb (8")	547830
Roof Curb (14")	547831
Roof Curb (18")	547850
Roof Curb (24")	547851
Supply/return transition, 16"	547834
Supply/return transition, 18"	547835
Concentric diffuser, flush, 16"	547836
Concentric diffuser, flush, 18"	547837
Concentric diffuser, step down 16"	547838
Concentric diffuser, step down 18"	547839
Manual Fresh Air Damper	547832
Motorized Fresh Air Damper	547840
Economizer, downflow w/filter (does not require filter kit) modulating	547833
Economizer, horizontal modulating	547841
Economizer, horizontal 3-position w/filter	547896
Economizer, downflow 3-position w/filter	547897
Power Exhaust for use with downflow economizer (special order)	547842
Power Exhaust for use with horizontal economizer (special order)	547843
HOOD TYPE HAIL GUARD 30" X 60" P4SA036, R4GA024, 030, 036, 042, R4GC024	547844
HOOD TYPE HAIL GUARD 30" X 76" P4SA048, P4SC036, Q4SA036	547845
HOOD TYPE HAIL GUARD 34" X 76" P4SA060, P4SC048, 060, Q4SA048, 060, Q4SC036, R4GA048, 060, R4GC030, 036, 042	547846
HOOD TYPE HAIL GUARD 38" X 76" Q4SC048, 060, R4GC048, 060	547847
CO2 sensors (special order)	547848
DUCT SMOKE DETECTOR PHOTO ELEC	547892
MULTI SIGNAL CONTROL	547893
SAMPLING TUBE ST3	547894
SAMPLING TUBE ST5	547895
Filter Rack, All Downflow Applications (not required with economizer)	547885
Filter Kit (not required with economizer) for Horizontal Applications R4GA 024 - 042	547886
Filter Kit (not required with economizer) for Horizontal Applications PPA1SC 036	547887
Filter Kit (not required with economizer) for Horizontal Applications PPA1SC 048 - 060	547888
Universal Hard Start Kit	912933
High Pressure Switch Kit	913550
Low Ambient Kit	913549A
P-Trap Kit	913810
U.S. LP Gas Conversion Kit (0 ft to 10,000 ft above sea level)	904090A
Canadian LP Gas Conversion Kit (0 to 4,500 ft above sea level)	904091A
Outdoor Thermostat Kit	913852

954A-0404 (Replaces 954A-1101)