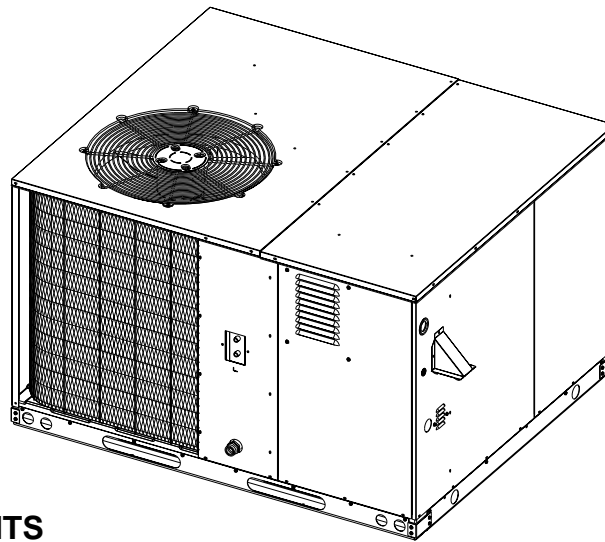


R4GC Series

Single Packaged Gas/Electric Units

R4GC 12 SEER 2 Ton thru 5 Ton Units

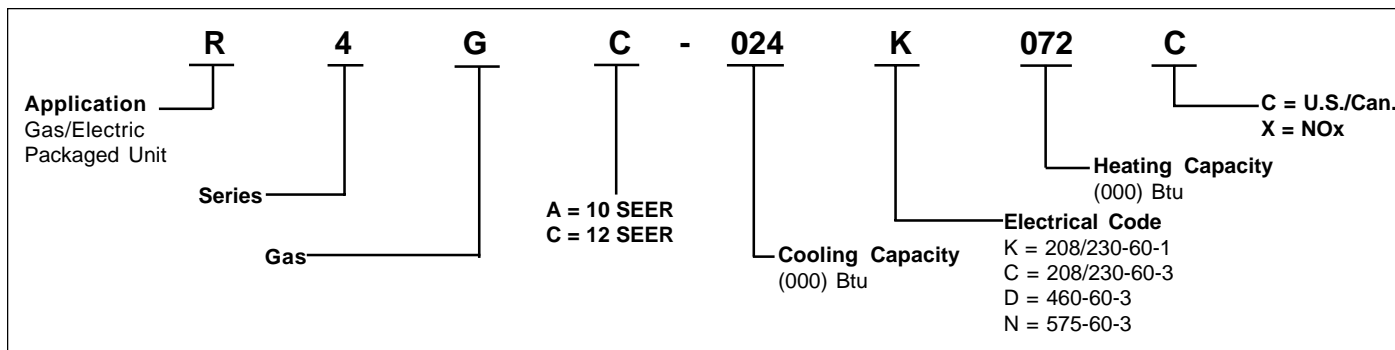
The R4G Series single packaged gas/electrics are high efficiency self contained cooling units that can be installed on the roof or on a slab. The convertible unit design makes installations simple in all applications. Units are ETL and ETLc listed. The unit is truly designed with the contractor and the consumer in mind.



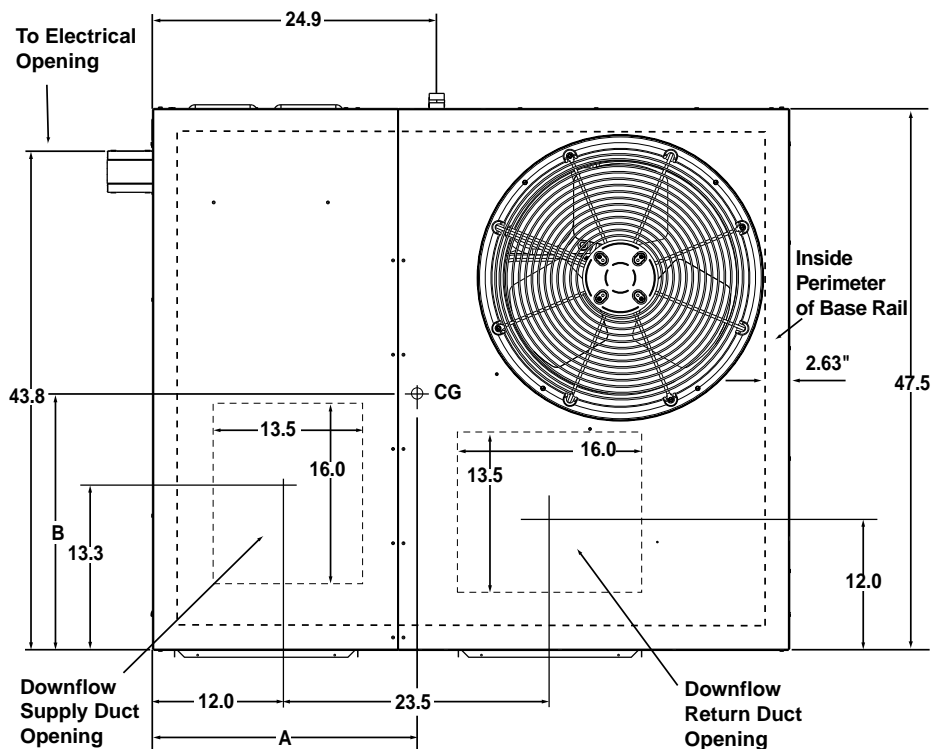
FEATURES AND BENEFITS

- **Compact Footprint/Low Profile**
Easy to handle and transport.
- **Heavy-Gauge, Full Perimeter Base Rails**
Facilitates forklift handling and curb mounting.
- **Convertible Air Delivery**
Horizontal or downflow to accommodate rooftop or horizontal application.
- **Galvanized Steel Cabinet**
with polyurethane finish provides 950 hour salt spray protection to resist corrosion.
- **Plastic Coated Coil Guard and Mesh Hail Guard**
Will never rust and protect the coil from being damaged by balls, lawnmowers, hail etc.
- **Externally Accessible Service Ports**
Quick access to refrigerant system without disrupting operation.
- **Access to Controls and Major Components**
Easy in and out service.
- **Corrosion-Resistant Drain Pan**
Quickly drains away evaporator condensate.
- **Smaller Panels, Great Fit and Finish, Total Seal**
Well-designed, quality construction. Drip edge on top panels whisks away rainwater. Embossed bottom pan keeps blower component compartment dry.
- **Proven, Industry Standard Components**
Easier service and availability.
- **Accessories**
Roof curbs, economizers, fresh air dampers and more.
- **Quiet Operation**
Low vibration.
20" fan blade combined with custom venturi condenser fan.
- **8 Year Residential Parts Warranty**
The best warranty in the business. Extended labor protection plans are available.
- **One Year Commercial Parts Warranty**

MODEL IDENTIFICATION CODE



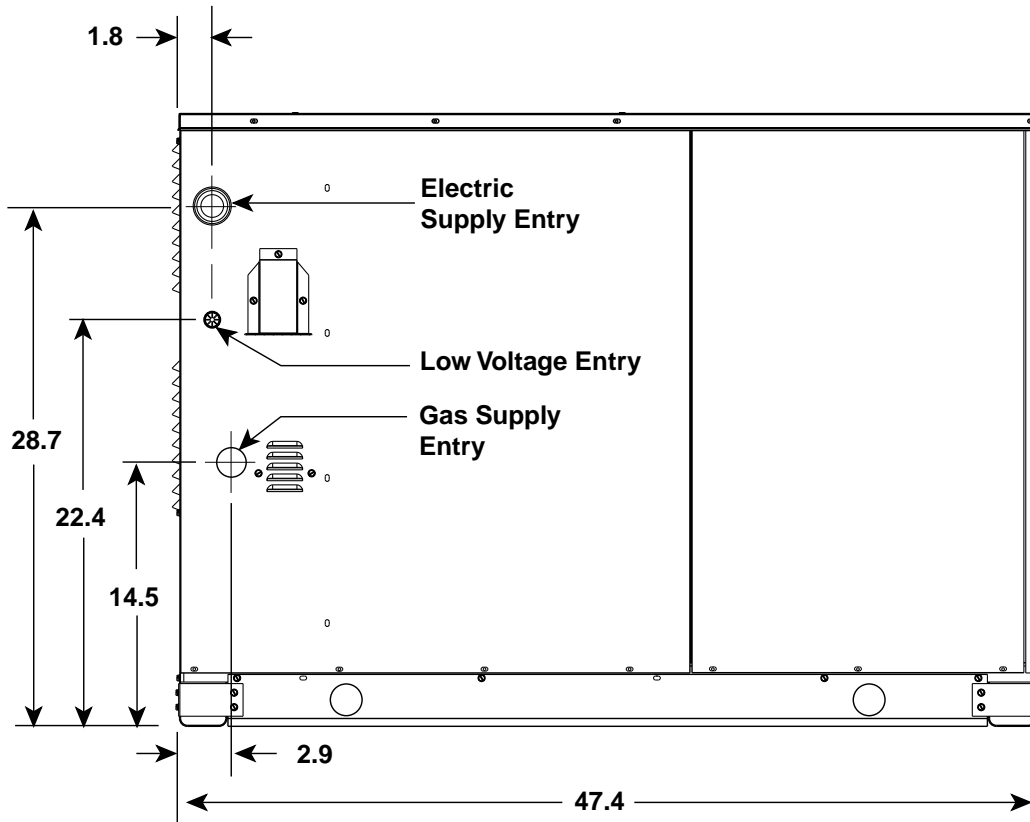
DIMENSIONS



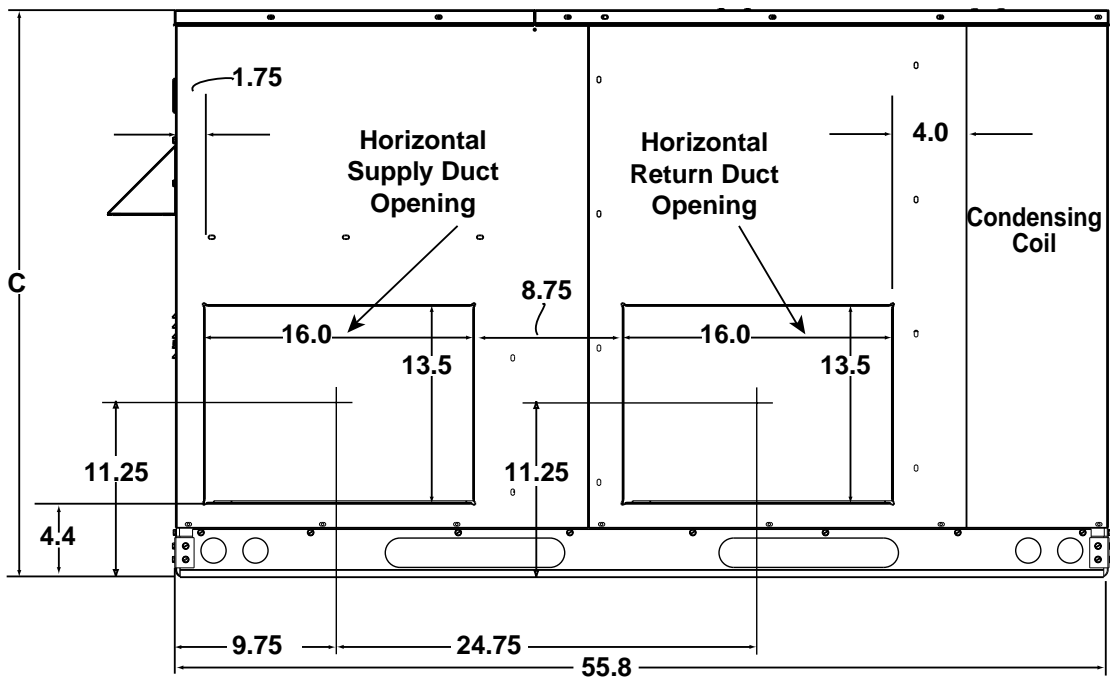
Top View

Model Number R4GC-	Unit Weight	Shipping Weight	Center of Gravity		Height (in inches)	
			A	B	C	
					with base rails	without base rails
024K045C	377	447	26.0	27.0	33.8	31.3
024K072C	397	467	25.5	27.0	33.8	31.3
030K045C	424	494	26.5	26.5	37.8	35.3
030K072C	435	505	26.0	26.5	37.8	35.3
036K072C	444	514	26.0	26.5	37.8	35.3
036K096C	460	530	26.0	27.0	37.8	35.3
042K072C	481	551	27.5	26.5	37.8	35.3
042K096C	500	575	27.0	26.5	37.8	35.3
048K096C	537	607	27.5	26.5	41.8	39.3
048K120C	550	620	27.0	26.5	41.8	39.3
060K096C	558	628	27.5	26.5	41.8	39.3
060K120C	570	640	27.0	26.5	41.8	39.3

DIMENSIONS (Continued)



Side View



Back View

SPECIFICATIONS AND ELECTRICAL DATA

SINGLE PHASE

Model R4GC-	024K045C	024K072C	030K045C	030K072C	036K072C	036K096C	042K072C	042K096C	048K096C	048K120C	060K096C	060K120C
Performance												
Heating Input BTUH	45,000	72,000	45,000	72,000	72,000	96,000	72,000	96,000	96,000	120,000	96,000	120,000
Heating Output BTUH	35,000	56,000	35,000	56,000	56,000	75,000	56,000	75,000	75,000	94,000	75,000	94,000
Capacity -Cooling BTUH	24,000	24,000	28,500	28,500	35,500	35,500	40,000	40,000	46,000	46,000	58,000	58,000
AFUE	78	78	78	78	78	78	78	78	78	78	78	78
Efficiency - SEER	12.00	12.00	12.00	12.00	12.00	12.00	12.00	12.00	12.00	12.00	12.00	12.00
Efficiency - EER	10.6	10.6	10.7	10.7	10.7	10.7	11.0	11.0	10.8	10.8	10.5	10.5
Electrical Rating - 60 Hz												
Phase	1	1	1	1	1	1	1	1	1	1	1	1
Operating Voltage Range	187 - 253	187 - 253	187 - 253	187 - 253	187 - 253	187 - 253	187 - 253	187 - 253	187 - 253	187 - 253	187 - 253	187 - 253
Minimum Circuit Ampacity	16.1	16.1	18.0	18.0	24.3	24.3	26.8	26.8	38.2	38.2	45.6	45.6
Max. Over-current Protection	25	25	30	30	40	40	40	40	60	60	60	60
Compressor Data												
Volts	208 / 230	208 / 230	208 / 230	208 / 230	208 / 230	208 / 230	208 / 230	208 / 230	208 / 230	208 / 230	208 / 230	208 / 230
Rated Load Amps	10.9	10.9	12.4	12.4	16.0	16.0	18.0	18.0	21.4	21.4	32.1	32.1
Lock Rotor Amps	56	56	61	61	82	82	96	96	137	137	169	169
Indoor Blower												
Wheel Diameter			10x6				10x10					11x10
Type / No. of Speeds	DD / 3	DD / 3	DD / 3	DD / 3	DD / 3	DD / 3	DD / 4	DD / 4	DD / 4	DD / 4	DD / 4	DD / 4
Motor - HP / RPM	1/4 - 1100	1/4 - 1100	1/4 - 1100	1/4 - 1100	1/2 - 1100	1/2 - 1100	1/2 - 1100	1/2 - 1100	3/4 - 1100	3/4 - 1100	3/4 - 1100	3/4 - 1100
Motor - Amps	1.3	1.3	1.3	1.3	3.1	3.1	3.1	3.1	4.0	4.0	4.0	4.0
Outdoor Fan												
Motor - HP / RPM	1/4 - 825	1/4 - 825	1/4 - 825	1/4 - 825	1/4 - 825	1/4 - 825	1/4 - 825	1/4 - 825	1/4 - 825	1/4 - 825	1/4 - 825	1/4 - 825
Motor - Amps	1.2	1.2	1.2	1.2	1.2	1.2	1.2	1.2	1.2	1.2	1.5	1.5
Fan Diameter / CFM	20 / 3500	20 / 3500	20 / 3500	20 / 3500	20 / 3500	20 / 3500	20 / 3500	20 / 3500	20 / 3500	20 / 3500	20 / 3500	20 / 3500
Refrigerant Charge - oz.	67	67	84	84	79	79	157	157	186	186	216	216

AIRFLOW DATA

Model Number (*)R4GC-	Heating Input (Btuh)	Heating Output (Btuh)	Heating Rise Range (F)	Cooling Output (Btuh)	Motor Speed	Blower Size	Motor HP	External Static Pressure (Inches Water Column)															
								0.1		0.2		0.3		0.4		0.5		0.6		0.7		0.8	
								CFM	Rise	CFM	Rise	CFM	Rise	CFM	Rise	CFM	Rise	CFM	Rise	CFM	Rise	CFM	Rise
024K045(†)	45,000	35,000	30-60	24,000	High Medium Low**	10 X 6	1/4	1172	-	1109	-	1043	31	975	33	903	36	829	39	752	43	672	48
024K072(†)	72,000	56,000	40-70	24,000	High Medium Low**	10 X 6	1/4	1075	30	1018	32	957	34	892	36	824	39	752	43	676	48	596	54
030K045(†)	45,000	35,000	30-60	28,500	High** Medium Low*	10 X 6	1/4	845	38	795	41	741	44	683	48	620	52	552	59	480	-	403	-
030K072(†)	72,000	56,000	40-70	28,500	High** Medium Low*	10 X 6	1/4	1160	45	1102	47	1041	50	976	53	908	57	837	62	762	68	684	-
036(‡)072(†)	72,000	56,000	40-70	35,500	High Medium Low**	10 X 10	1/2	1064	49	1012	51	955	54	895	58	831	63	762	68	690	-	613	-
042K072(†)	72,000	56,000	40-70	40,000	High Medium** Low*	10 X 10	1/2	841	62	797	65	749	69	695	-	636	-	571	-	502	-	427	-
042K096(†)	96,000	75,000	45-75	35,500	High Medium Low**	10 X 10	1/2	1250	-	1194	-	1135	-	1074	30	1010	32	944	34	875	37	805	40
048(K,C)096(†)	96,000	75,000	45-75	46,000	Med-High Med-Low**	11 X 10	3/4	1121	-	1071	30	1017	32	959	34	897	36	832	39	762	43	689	47
048(K,C)120(†)	120,000	94,000	45-75	46,000	High Med-High Med-Low**	11 X 10	3/4	854	38	808	40	757	43	702	46	642	51	577	56	509	-	435	-
060(K,C)096(†)	96,000	75,000	45-75	58,000	High Med-High** Med-Low*	11 X 10	3/4	1274	41	1220	43	1162	45	1100	47	1033	50	962	54	886	59	806	65
060(K,C)120(†)	120,000	94,000	45-75	58,000	High Med-High** Med-Low*	11 X 10	3/4	1159	45	1107	47	1052	49	991	52	927	56	858	61	785	66	708	-
					Low	11 X 10	3/4	898	58	857	61	809	64	756	69	697	-	632	-	561	-	484	-
					Low	11 X 10	3/4	2182	-	2107	-	2015	-	1906	-	1779	-	1636	-	1475	-	1298	43
					Low	11 X 10	3/4	1916	-	1853	-	1773	-	1677	-	1564	-	1435	40	1288	43	1125	50
					Low	11 X 10	3/4	1520	-	1478	-	1421	40	1348	42	1259	44	1155	47	1035	52	900	60
					Low	11 X 10	3/4	2128	-	2037	-	1930	-	1808	-	1671	-	1518	46	1351	51	1168	59
					Low	11 X 10	3/4	1907	-	1826	-	1733	-	1628	-	1511	46	1382	50	1242	56	1089	64
					Low	11 X 10	3/4	1503	46	1439	48	1368	51	1290	54	1205	58	1114	62	1016	68	911	-
					Low	11 X 10	3/4	2182	-	2107	-	2015	-	1906	-	1779	-	1636	-	1475	-	1298	43
					Low	11 X 10	3/4	1916	-	1853	-	1773	-	1677	-	1564	-	1435	40	1288	43	1125	50
					Low	11 X 10	3/4	1520	-	1478	-	1421	40	1348	42	1259	44	1155	47	1035	52	900	60
					Low	11 X 10	3/4	2128	-	2037	-	1930	-	1808	-	1671	-	1518	46	1351	51	1168	59
					Low	11 X 10	3/4	1907	-	1826	-	1733	-	1628	-	1511	46	1382	50	1242	56	1089	64
					Low	11 X 10	3/4	1503	46	1439	48	1368	51	1290	54	1205	58	1114	62	1016	68	911	-
					Low	11 X 10	3/4	2360	-	2267	-	2175	-	2082	-	1989	-	1897	-	1804	-	1711	45
					Low	11 X 10	3/4	2153	-	2075	-	1995	-	1913	-	1829	-	1743	-	1656	46	1566	48
					Low	11 X 10	3/4	1810	-	1750	-	1687	45	1621	47	1551	49	1479	51	1403	53	1325	56
					Low	11 X 10	3/4	1475	51	1437	52	1389	54	1332	56	1265	59	1188	62	1102	67	1006	73
					Low	11 X 10	3/4	2338	-	2247	-	2156	-	2065	-	1973	45	1882	46	1791	48	1700	51
					Low	11 X 10	3/4	2125	-	2051	-	1972	45	1888	46	1799	48	1706	51	1608	54	1506	58
					Low	11 X 10	3/4	1792	48	1737	50	1674	52	1602	54	1521	57	1431	61	1333	65	1226	71
					Low	11 X 10	3/4	1476	59	1427	61	1372	63	1310	66	1241	70	1165	74	1083	-	995	-
					Low	11 X 10	3/4	2360	-	2267	-	2175	-	2082	-	1989	-	1897	-	1804	-	1711	45
					Low	11 X 10	3/4	2153	-	2075	-	1995	-	1913	-	1829	-	1743	-	1656	46	1566	48
					Low	11 X 10	3/4	1810	-	1750	-	1687	45	1621	47	1551	49	1479	51	1403	53	1325	56
					Low	11 X 10	3/4	1475	51	1437	52	1389	54	1332	56	1265	59	1188	62	1102	67	1006	73
					Low	11 X 10	3/4	2338	-	2247	-	2156	-	2065	-	1973	45	1882	46	1791	48	1700	51
					Low	11 X 10	3/4	2125	-	2051	-	1972	45	1888	46	1799	48	1706	51	1608	54	1506	58
					Low	11 X 10	3/4	1792	48	1737	50	1674	52	1602	54	1521	57	1431	61	1333	65	1226	71
					Low	11 X 10	3/4	1476	59	1427	61	1372	63	1310	66	1241	70	1165	74	1083	-	995	-
					Low	11 X 10	3/4	2360	-	2267	-	2175	-	2082	-	1989	-	1897	-	1804	-	1711	45
					Low	11 X 10	3/4	2153	-	2075	-	1995	-	1913	-	1829	-	1743	-	1656	46	1566	48
					Low	11 X 10	3/4	1810	-	1750	-	1687	45	1621	47	1551	49	1479	51	1403	53	1325	56
					Low	11 X 10	3/4	1475	51	1437	52	1389	54	1332	56	1265	59	1188	62	1102	67	1006	73
					Low	11 X 10	3/4	2338	-	2247	-	2156	-	2065	-	1973	45	1882	46	1791	48	1700	51
					Low	11 X 10	3/4	2125	-	2051	-	1972	45	1888	46	1799	48	1706	51	1608	54	1506	58
					Low	11 X 10	3/4	1792	48	1737	50	1674	52	1602	54	1521	57	1431	61	1333	65	1226	71
					Low	11 X 10	3/4	1476	59	1427	61	1372	63	1310	66	1241	70	1165	74	1083	-	995	-
					Low	11 X 10	3/4	2360	-	2267	-	2175	-	2082	-	1989	-	1897	-	1804	-	1711	45
					Low	11 X 10	3/4	2153	-	2075	-	1995	-	1913	-	1829	-	1743	-	1656	46	1566	48
					Low	11 X 10	3/4	1810	-	1750	-	1687	45	1621	47	1551	49	1479	51	1403	53	1325	56
					Low	11 X 10	3/4	1475	51	1437	52	1389	54	1332	56	1265	59	1188	62	1102	67	1006	73
					Low	11 X 10	3/4	2338	-	2247	-	2156	-	2065	-	1973	45	1882	46	1791	48	1700	51
					Low	11 X 10	3/4	2125	-	2051	-	1972	45	1888	46	1799	48	1706	51	1608	54	1506	58
					Low	11 X 10	3/4	1792	48	1737	50	1674	52	1602	54	1521	57	1431	61	1333	65	1226	71
					Low	11 X 10	3/4	1476	59	1427	61	1372	63	1310	66	1241	70	1165	74	1083	-	995	-
					Low	11 X 10	3/4	2360	-	2267	-	2175	-	2082	-	1989	-	1897	-	1804	-	1711	45
					Low	11 X 10	3/4	2153	-	2075	-	1995	-	1913	-	1829	-	1743	-	1656	46	1566	48

R4GC ACCESSORIES

Description	Part Number
Roof Curb (8")	547830
Roof Curb (14")	547831
Roof Curb (18")	547850
Roof Curb (24")	547851
Cap, Duct Adapter, 12" Round	913811A
Cap, Duct Adapter, 14" Round	913812A
Circuit Breaker, disconnect 3 phase	913740
Concentric diffuser, flush, 16"	547836
Concentric diffuser, flush, 18"	547837
Supply/return transition, 16"	547834
Supply/return transition, 18"	547835
Concentric diffuser, step down 16"	547838
Concentric diffuser, step down 18"	547839
CO2 sensors (special order)	547848
Economizer, downflow 3-position w/filter	547897
Economizer, downflow w/filter (does not require filter kit) modulating	547833
Economizer, horizontal (special order) modulating	547841
Economizer, horizontal 3-position w/filter	547896
Power Exhaust horizontal economizer (special order)	547843
Power Exhaust, downflow economizer (special order)	547842
Manual Fresh Air Damper	547832
Motorized Fresh Air Damper	547840
Filter Kit (not required with economizer) R4GA 024 -042, R4GC 024, P4SA 036	547886
Filter Kit (not required with economizer) P4SA 048, P4SC 036, Q4SA 036	547887
Filter Kit (not required with economizer) R4GA 048 - 060, R4GC 030 - 042, P4SA 060, P4SC 048 - 060, Q4SA 048 - 060, Q4SC 036	547888
Filter Kit (not required with economizer) R4GC 048 - 060, Q4SC 048 - 060	547889
Filter Rack, All Downflow Applications (not required with economizer)	547885
Hood Type Hail Guard, Coil Dim. 30" X 60" P4SA036, R4GA024, 030, 036, 042, R4GC024	547844
Hood Type Hail Guard, Coil Dim. 30" X 76" P4SA048, P4SC036, Q4SA036	547845
Hood Type Hail Guard, Coil Dim. 34" X 76" P4SA060, P4SC048, 060, Q4SA048, 060, Q4SC036, R4GA048, 060, R4GC030, 036, 042	547846
Hood Type Hail Guard, Coil Dim. 38" X 76" Q4SC048, 060, R4GC048, 060	547847
Low Ambient Kit	913549A
High Pressure Switch Kit	913550
Low Pressure Switch Kit	913551
LP Gas Conversion Kit, Canadian (0 to 4,500 ft above sea level)	903617
LP Gas Conversion Kit, U.S. (0 ft to 10,000 ft above sea level)	903616
Outdoor Thermostat Kit	913852
Smoke Detector, Duct Mount, Photo Electric Type	547892
Smoke Detector, Multi Signal Control	547893
Smoke Detector, Sampling Tube ST3	547894
Smoke Detector, Sampling Tube ST5	547895
Universal Hard Start Kit	912933

We Encourage
Professionalism

Through Technician
Certification by NATE



951A-1101 (Replaces 951A-0701)

O'Fallon, MO | **NORDYNE**

Before purchasing this appliance, read important energy cost and efficiency information available from your retailer. Specifications and illustrations subject to change without notice and without incurring obligations. Printed in U.S.A. (1101)