

INSTALLATION INSTRUCTION

INSTALLATION INSTRUCTIONS FOR 555641 HAIL GUARD USED WITH R4G* 150/180 UNITS

935B-0505



NOTICE TO INSTALLER WARNING!

Refrigerant tubing located behind panels this Accessory is mounted. Special attention must be given if pre-drilling of holes or using screws other than those provided are used. Failure to follow these instructions could result in serious injury or property damage and may void Warranty.

The Hail Guard is designed to prevent damage to the condensor coil of the unit. The following list of parts are required:

Step 1:

Check for correct number of parts. See list below.

- 1 - Rear Hail Guard (A)
- 1 - Rear Top Panel (B)
- 2 - Vertical Side Panel (C)
- 1 - Hardware Package
 - 8 - #10- 16 x 1/2 Screw
- 1 - Installation Instruction

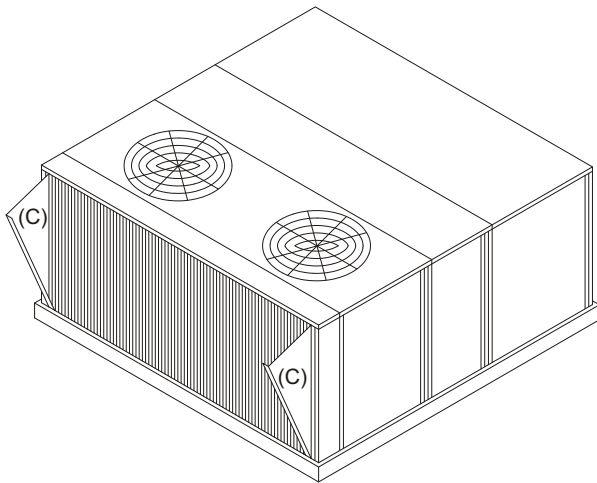


Figure 2

Step 3:

Then secure (A) hail guard in between clips on vertical side panel and close clips to hold in position.

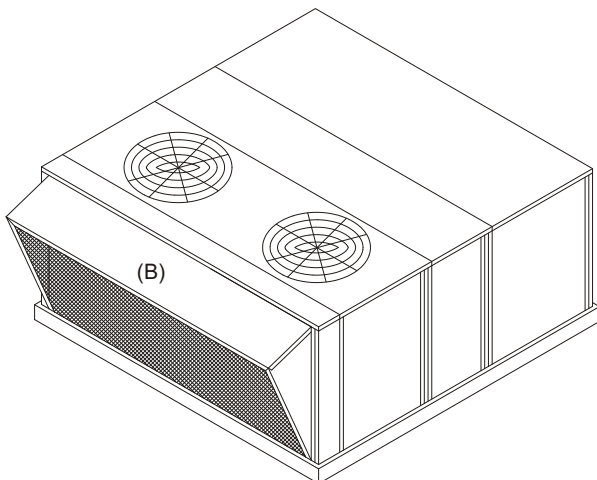


Figure 4

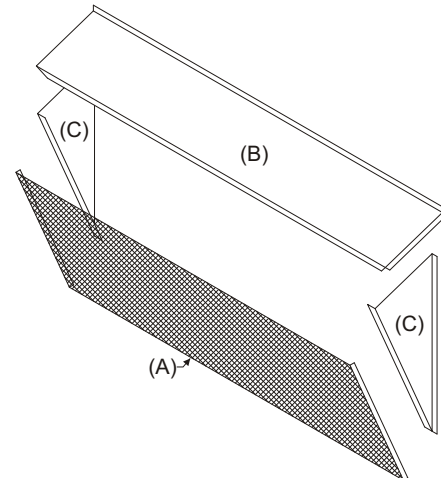


Figure 1

Step 2:

Take (C) vertical side panel and align inside of side panels with outside edge of coil. Then secure with the screws provided.

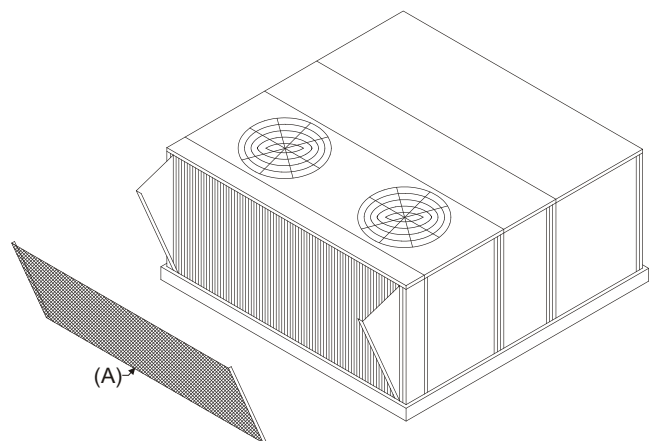


Figure 3

Step 4:

Now secure the (B) rear top panel flange under top of unit and flange over side panels. Then secure with screws provided.